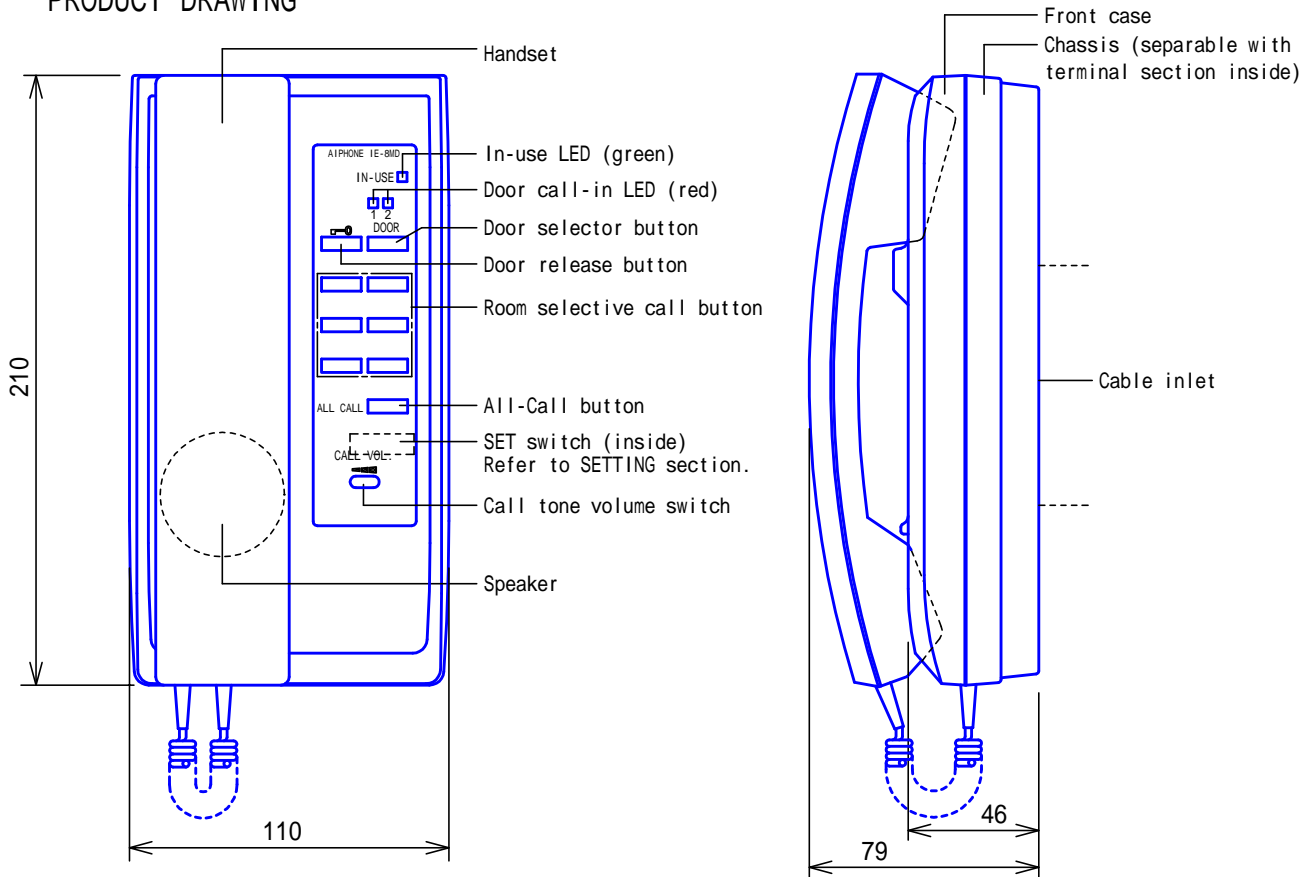
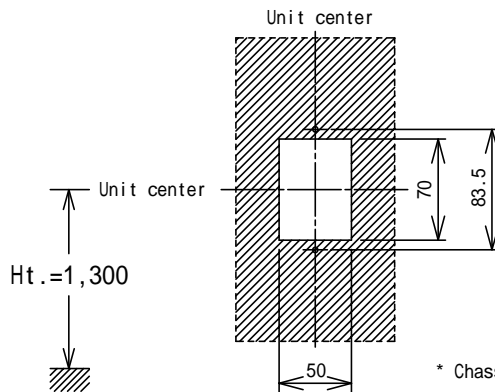


PRODUCT DRAWING



MOUNTING



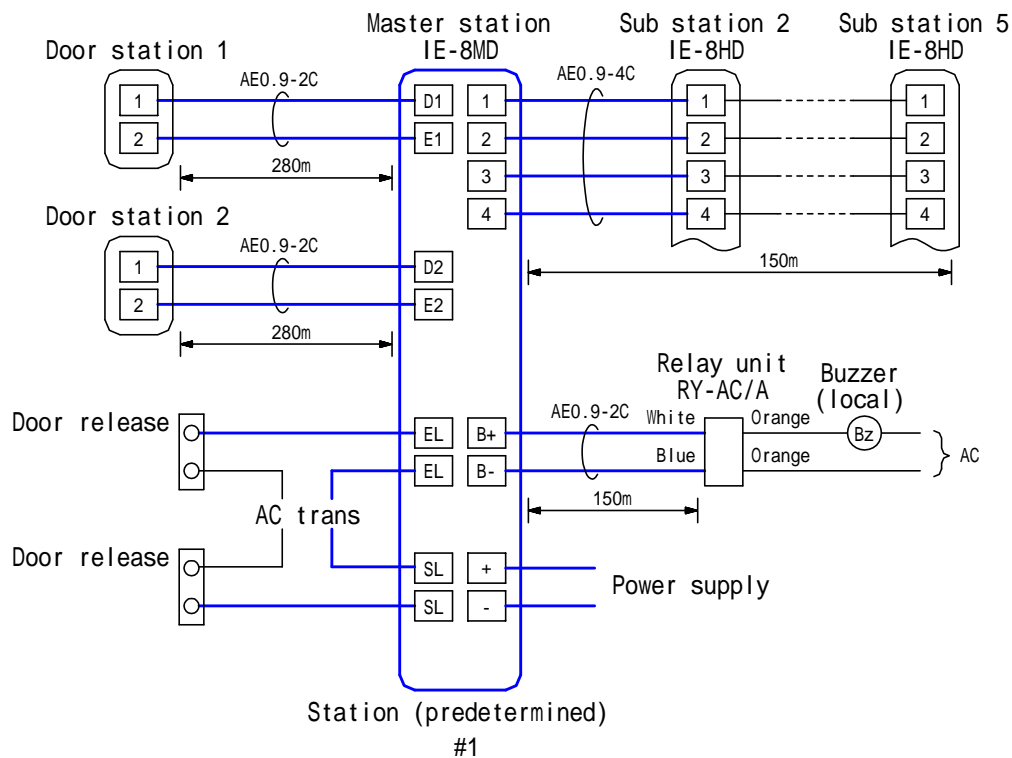
SPECIFICATIONS

* Chassis(separable); Single-gang 83.5mm guided

Power source	12 ~ 18V DC. 12 ~ 16V AC.
Current consumption	500mA(12 ~ 18V DC). 900mA(12 ~ 16V AC).
Type of communication	Handset simultaneous communication
Capacity	Door station: 2 units. Sub station: 5 units.
Mounting	Wall-mount
Electrical box	Single-gang box
Housing	Fire-retardant ABS plastic
Weight	870g(approx.)
Unit color	Snow white
Call tone	Door station 1; 4-tone chime. Door station 2; 2-tone chime. Room stations; By Selective or All-Call ... Mono tone and voice direct.
Remarks	Includes; Call tone transfer contact. Use a relay TAR-3 or RY-AC/A.

DESCRIPTION	(Chime tone, 6-station)	FIG. NAME	UNIT	DATE
MASTER STATION		PRODUCTG/SPECIFICATIONS	mm	21 March, 2002
MODEL NO.		FIG.NO.	REVISION	AIPHONE
IE-8MD		37532301-1-2	2	
		PAGE		
		1/2		

WIRING DIAGRAM



RESTRICTIONS

Station # is 1 for IE-8MD, which is invariable.

External buzzer is activated while chime is sounding, or voice for room selective call or all-call is being heard. Upon lifting handset, the buzzer stops.

FUNCTIONS

Receiving a call from door station and enter communication by lifting handset
(Chime tone sounds differently and each Door call-in LED is lit)

Calling selectively each sub station by pressing a selector button
(Sounds pre-tone and voice. In-use LED is lit)

Calling all stations by pressing All-Call button, sounding pre-tone, giving vocal message.
(In-use LED is lit)

Monitoring audio of either door station, by pressing door selector button.

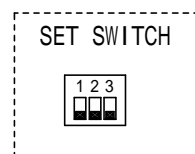
Door call-in restriction selectively by SET switches.

Having door strike activated by pressing Door release button

Having any call-in notified with a buzz tone, as well as ordinary call tone.
(Requires a Relay unit)

SETTING

Restricting door station call-in (muting chime) SET switch 1~3



DESCRIPTION MASTER STATION	(Chime tone, 6-station)	FIG. NAME WIRING/RESTR./FCN./SETTING	UNIT mm	DATE 21 March, 2002
MODEL NO. IE-8MD		FIG.NO. 37532301-2-2	PAGE 2/2	REVISION 2

AIPHONE