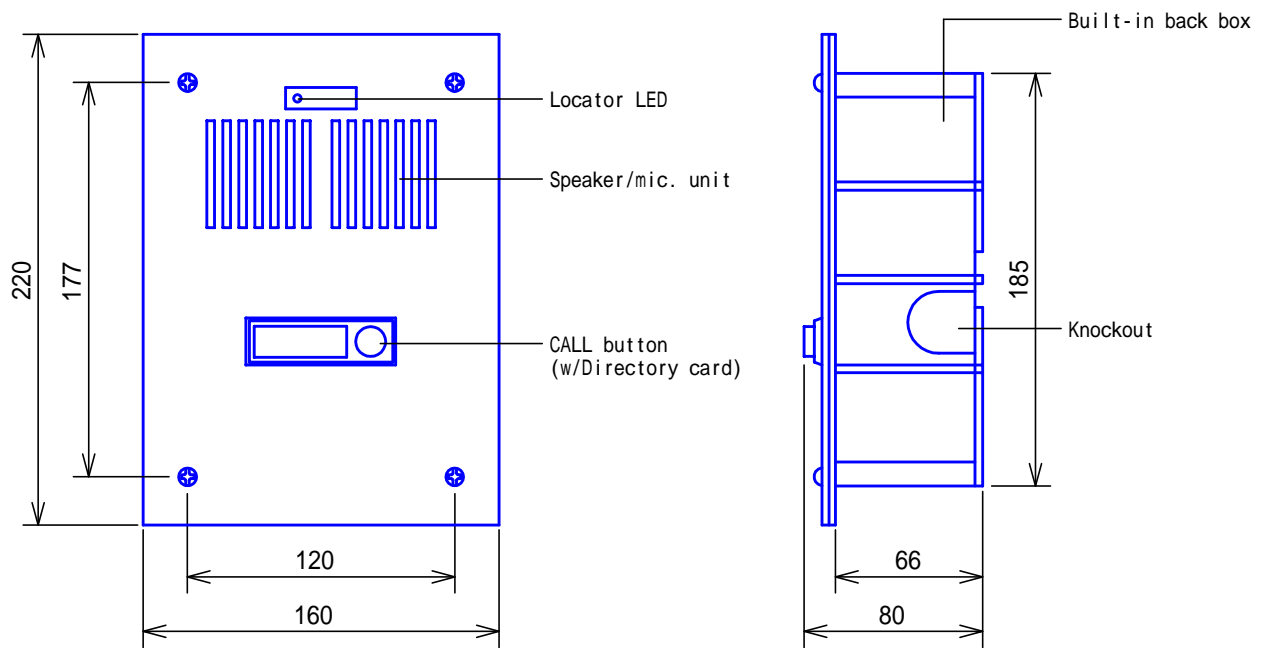
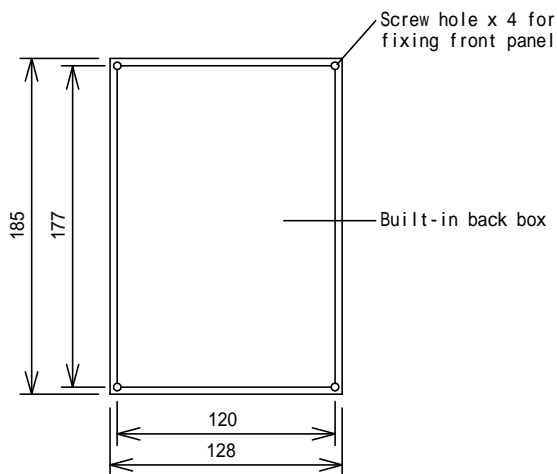


PRODUCT DRAWING



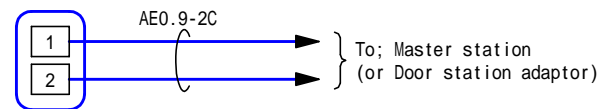
MOUNTING



- * Built-in back box dimensions; 185(H) x 128(W) x 66(D).
- * For opening, keep a space of 2mm or more on each side of the back box between wall.

WIRING DIAGRAM

Door station
IE-FY



FUNCTIONS

Calling a Master station by pressing CALL button and entering communication after the Master station replies.
Locator LED is lit while the Master station is being powered.

SPECIFICATIONS

Power source	4.5V ~ 6V DC (approx. 9V DC in talking). Supplied from Master station.
Type of communication	Open voice simultaneous communication.
Locator LED current	1mA
Output impedance	600 Ohm
Mounting	Wall flush-mount.
Electrical box	Not used. Mounts on own built-in back box.
Housing	Front panel: Aluminum.
Weight	g(approx.)
Unit color	Aluminum.
Remarks	Weather-resistant (JIS C 0920 Protection Class 3 equivalent)

DESCRIPTION DOOR STATION (IE/IF Series)	FIG. NAME PRODUCT/SPEC./WIRING/FCN.	UNIT mm	DATE 5 April, 2005
MODEL NO. IE-FY	FIG.NO. 36841301-1-1	PAGE 1/1	REVISION 1

AIPHONE