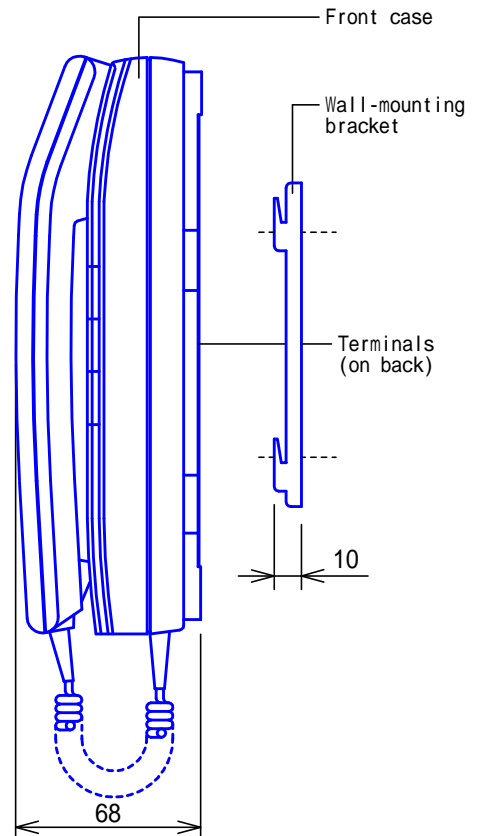
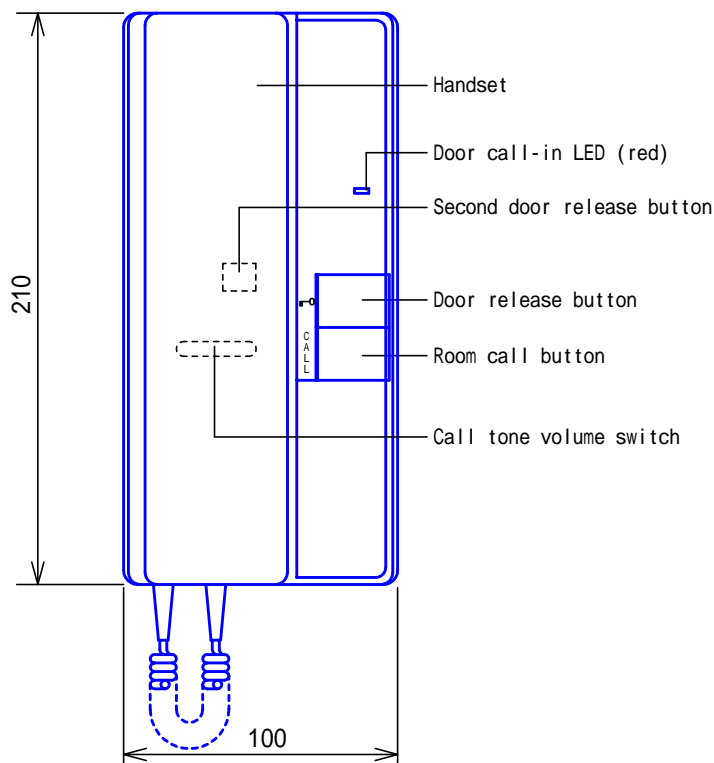
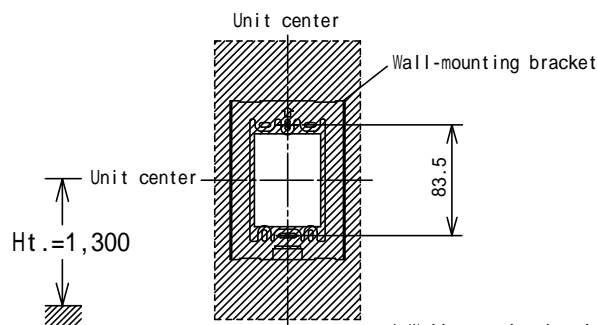


PRODUCT DRAWING



MOUNTING



* Wall-mounting bracket; Single-gang guided.
 * Cable passes through Single-gang box, or for surface cable run, through cable inlet cut out on top or bottom of unit.

SPECIFICATIONS

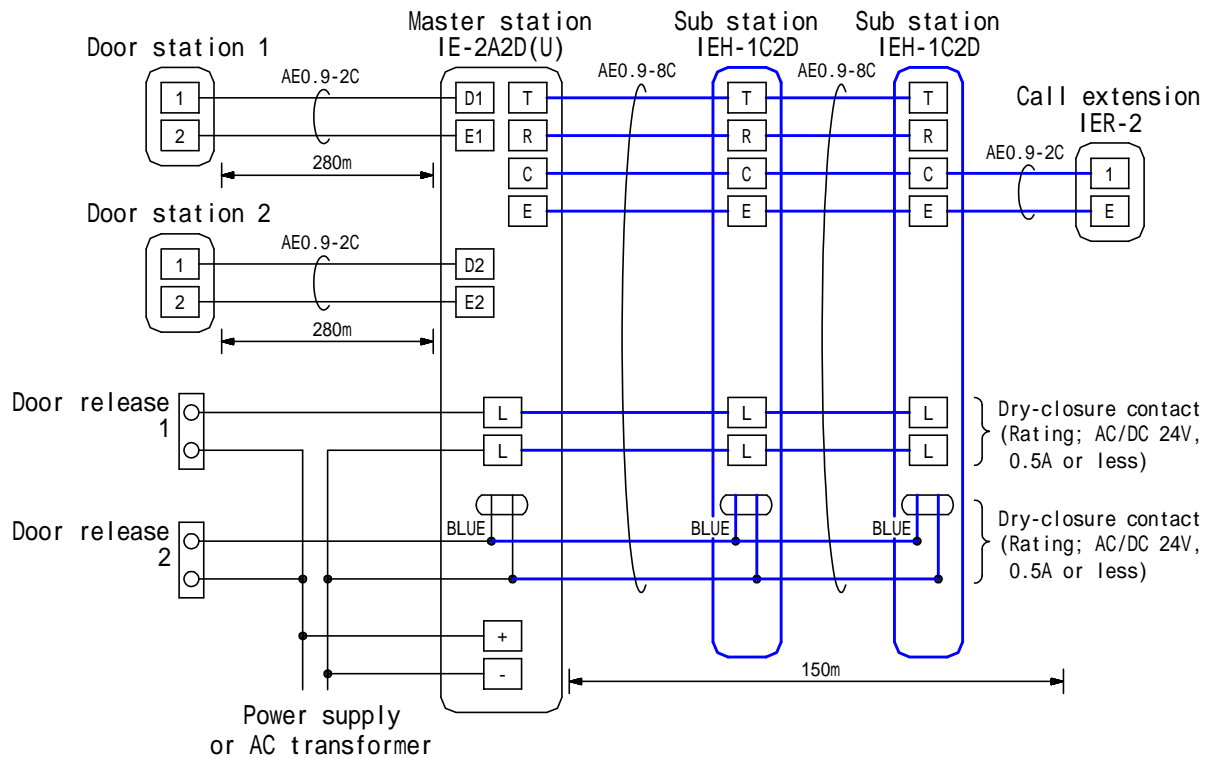
Power source	Supplied from Master station.
Type of communication	Handset simultaneous communication.
Call tone	Door station 1; 4-tone chime. Door station 2; 2-tone chime. Room stations; Mono tone.
Sub station	2 units
Call extension	1 unit
Door release	2 door release buttons.
Door release contact	Rating; AC/DC 24V, 500mA.
Mounting	Surface wall mount.
Electrical box	Single-gang box
Housing	Fire-retardant ABS plastic
Weight	350g(approx.)
Unit color	Snow white

DESCRIPTION (Chime tone, SUB STATION 2 door rlses.)	FIG. NAME PRODUCT/SPECIFICATIONS	UNIT mm	DATE 6 April, 2005
MODEL NO. IEH-1C2D	FIG.NO. IEH-1C2D-1-2	PAGE 1/2	REVISION 1

AIPHONE

WIRING DIAGRAM

Complete IE-2A2D(U) system



RESTRICTIONS

IE-2A2D(U) is not compatible with existing door station models (IA, IB, IC, ID Series).
 IEH-1C2D shall not be used on desk-top.
 For internal call, selective call is not available (All-Call in vocal after pre-tone).
 Differentiate tone of calling by room station.

FUNCTIONS

Receiving a call from Door station and entering communication (DOOR call-in LED is lit).
 Monitoring audio (*) by lifting handset. (* last communicated)
 All-Call the other room stations in vocal after pre-tone by pressing ROOM call button.
 Having door strike activated by pressing Door release 1 or 2 button.

SETTING

Adjusting call tone volume (sliding)..... with front volume switch. Call tone can be cut off.

DESCRIPTION	FIG. NAME	UNIT	DATE
(Chime tone, SUB STATION 2 door rlses.)	WRESTR./RESTR./FCN./SETTING	mm	8 April, 2005
MODEL NO.	FIG.NO.	PAGE	REVISION
IEH-1C2D	IEH-1C2D-2-2	2/2	1

AIPHONE