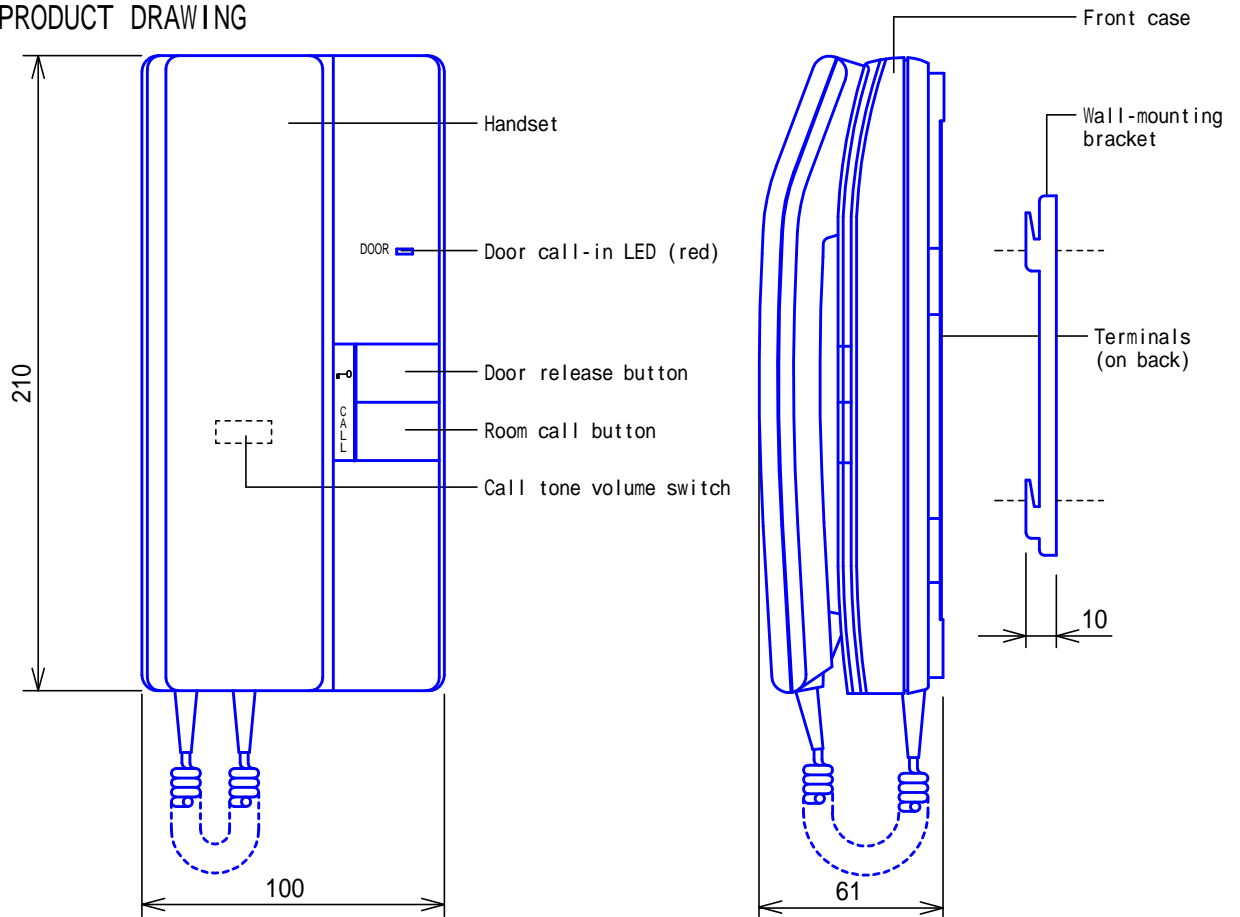
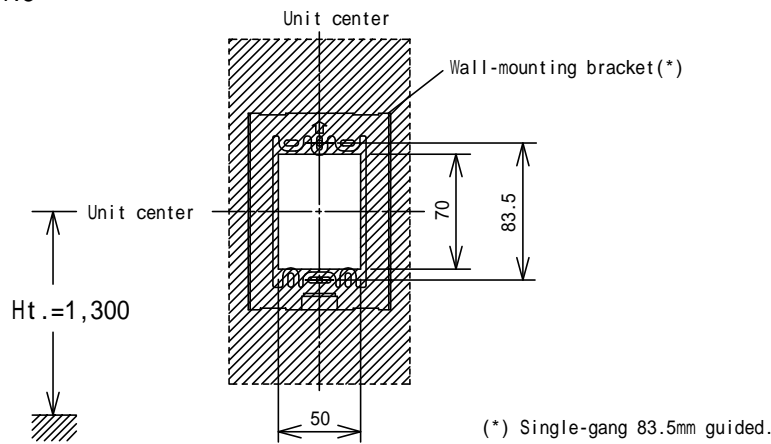


PRODUCT DRAWING



MOUNTING



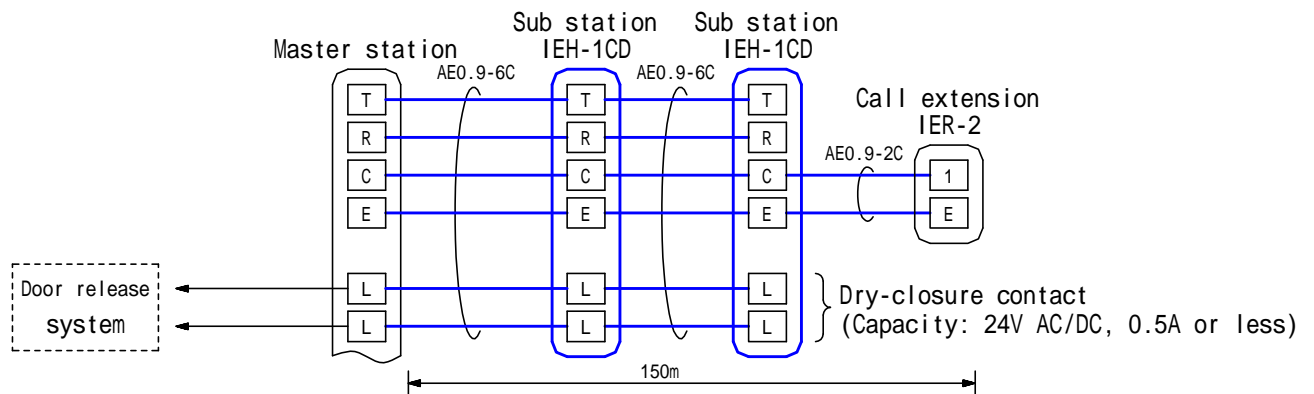
SPECIFICATIONS

Power source	Supplied from Master station
Type of communication	Handset simultaneous communication
Mounting	Wall-mount
Electrical box	Single-gang box
Housing	PS HI plastic (GH-9600)
Weight	350g(approx.)
Unit color	Snow white

DESCRIPTION	FIG. NAME	UNIT	DATE
SUB STATION (Chime tone)	PRODUCT/SPECIFICATIONS	mm	14 February, 2002
MODEL NO.	FIG.NO.	PAGE	REVISION
IEH-1CD	36733301-1-2	1/2	1

**AIPHONE**

## WIRING DIAGRAM



## RESTRICTIONS

- The existing door station models (IA, IB, IC & ID Series) are not compatible.
- IEH-1CD shall not be used for desk-top application.
- The room station calling is not available selectively but by differentiated call tone.

## FUNCTIONS

- Receiving a call and communication with a door station (Door call-in LED is lit).
- Monitoring audio (\*) of door station by lifting handset. (\* last communicated)
- Calling by pressing "CALL" button and communication with other room station on both handsets (Rings mono tone and call by voice).
- Having door strike activated by pressing Door release button.

## SETTING

- Adjusting call tone volume (Cut to higher) ..... with front volume switch.

DESCRIPTION <b>SUB STATION</b> (Chime tone)	FIG. NAME WIRING/RESTR./FCN./SETTING	UNIT mm	DATE 14 February, 2002
MODEL NO. <b>IEH-1CD</b>	FIG.NO. 36733301-2-2	PAGE 2/2	REVISION 1

**AIPHONE**