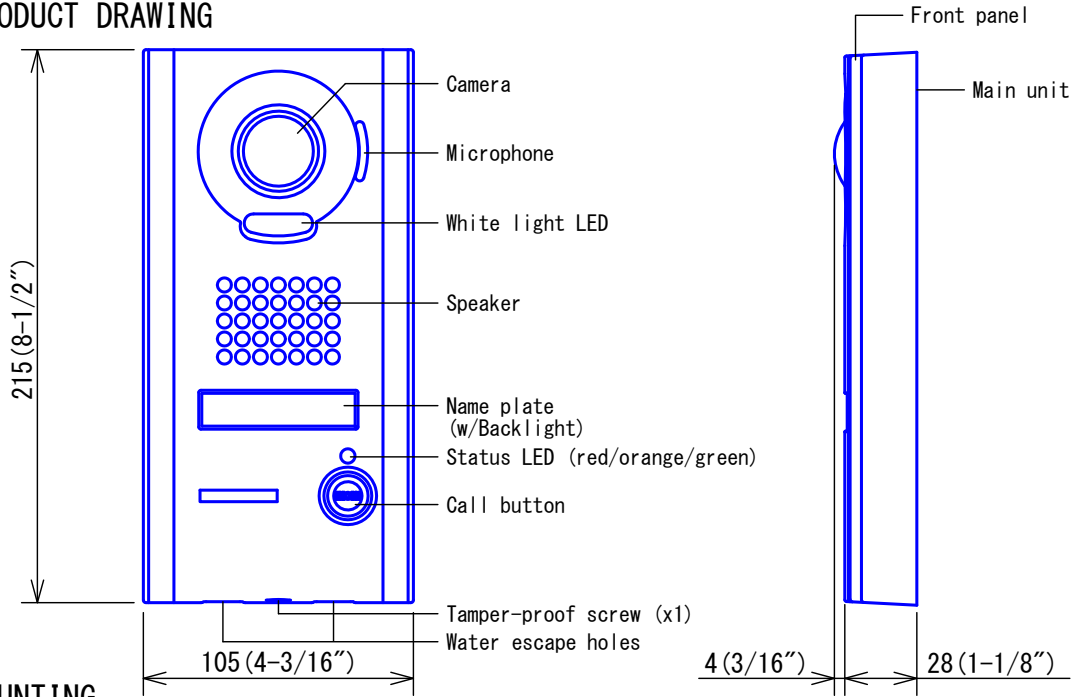
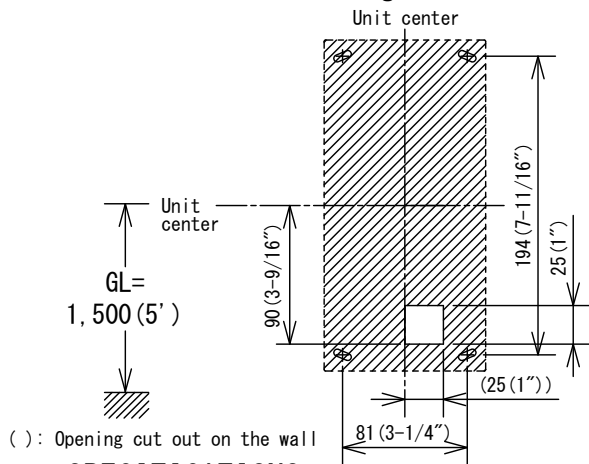


■ PRODUCT DRAWING

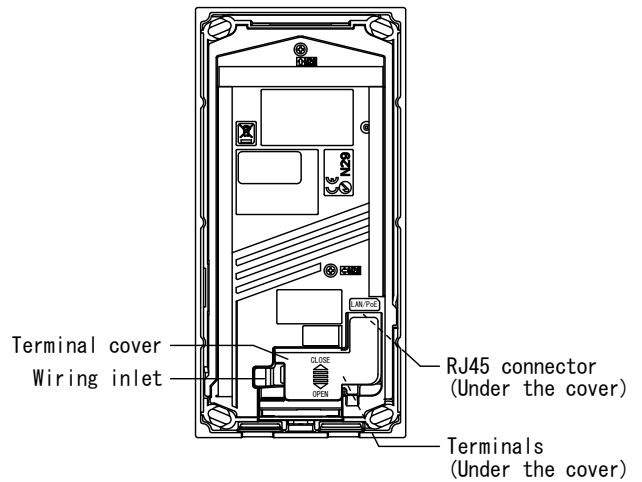


● MOUNTING

<Surface wall mounting>



<Back view>



■ SPECIFICATIONS

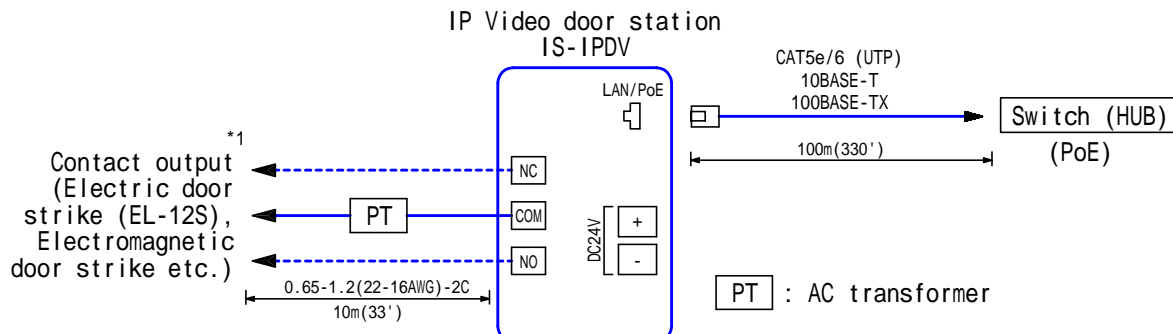
Power source	24V DC: Supplied from a power supply / 48V DC: PoE
Current consumption	Max. 160mA (24V DC), Max. 85mA (48V DC)
Communication	Open voice hands-free communication
Camera	1/4 inch color CMOS
Minimum illumination	5 Lux
Camera angle	Wide: 170° (approx.) (Horizontal)
Ambient temperature	-10~+60°C (+14° F~+140° F)
LAN	Ethernet (10 BASE-T, 100 BASE-TX)
Protocol	TCP/IPv4, UDP/IPv4, TCP/IPv6, UDP/IPv6, SIP, Others
Mounting	Surface wall mount (Directly to wall)
Material	Front panel: Aluminum die cast. Main unit: Flame resisting PC + ABS resin
Weight	540g (1.19 lbs.) (approx.)
Color	Front panel: Dull-gray silver
IP rating	IPX3

DESCRIPTION IP VIDEO DOOR STATION (Color, Vandal-resistant)	FIG. NAME PRODUCT/SPECIFICATIONS	UNIT mm	DATE 19 October, 2015
MODEL NO. IS-IPDV	FIG. NO. 57318-1-9	PAGE 1/9	REVISION 3

AIPHONE

WIRING DIAGRAM

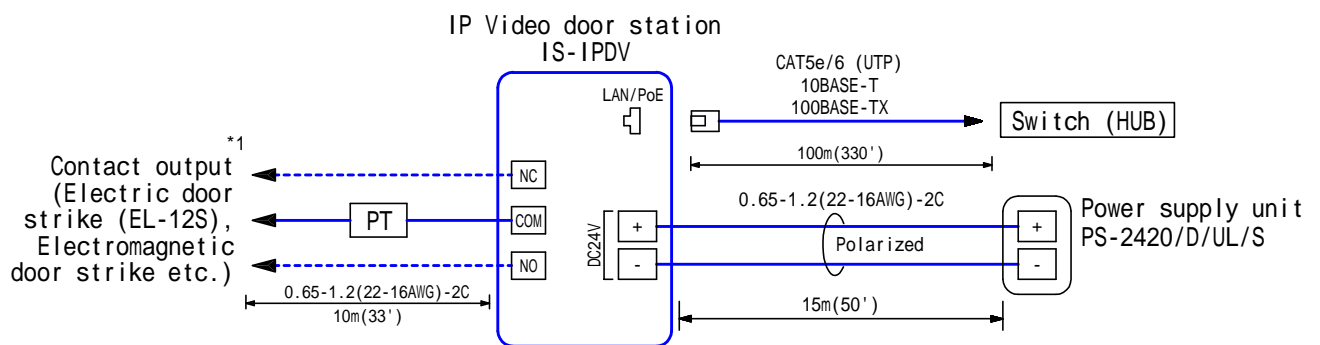
【Power source: PoE】



*1. Output specifications

Output method	N/O or N/C dry closure contact
Voltage between terminals	24V AC, 0.5A (resistive load)
	24V DC, 0.5A (resistive load)
	Minimum overload (AC/DC): 100mV, 0.1mA

【Power source: Power supply unit】



UTP: Unshielded twisted pair

RESTRICTIONS

System setting (or Network setting) by PC is required (For the setting items, refer to "IS-IPC" specification sheet. Setting items differ depending on the system configuration.). The network setting method differs according to the network environment.

Depending on the network environment, operations may not be carried out normally, such as interrupted audio or video, and delayed frame rate decrease.

Depending on the broadband router, it may not operate.

You need a broadband connection to use this system over the Internet. Also, the broadband router needs a Static Global IP Address.

In a site, up to 32 IP units (including up to 8 IP control units) can be connected.

Up to 31 IS-SOFT can be connected to a system.

In this case, at least 1 IP host unit, IS-IPC, IS-IPMV, or IS-IPDV(F), is required to connect in a system.

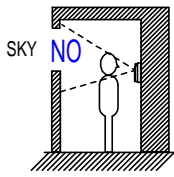
Do not cover the water escape holes with caulking seals.

IS-IPDV door station is exclusively used with IS Series Master stations.

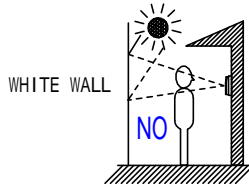
DESCRIPTION	(Color, Vandal-resistant)	FIG. NAME	UNIT	DATE
IP VIDEO DOOR STATION		WIRING/RESTRICTIONS	mm	2 May, 2013
MODEL NO.		FIG.NO.	PAGE	REVISION
IS-IPDV		57318-2-9	2/9	2

AIPHONE

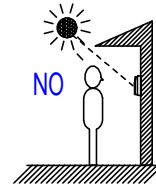
Avoid to install IS-IPDV in the following locations;



At the entrance where background is sky in upper floors of Condominiums, etc.



The background of the standing caller's is white wall.



Where the standing location is strongly sunlit.

Download the setting data as a backup copy after you finish making settings or setting changes. If you do not communicate with remote sites, set [UPnP] to OFF at [Network setting: Common] (IPv4 only)

Set the static IP address to the IP host unit.

Requirements for IP units to operate them as the units of an identical site.

- The network segments are identical.
- If the network segments are not identical;
 - Multicast packet forwarding setting can be made on a router or Layer 3 switch (a component in this system).
 - This unit uses IGMPv2 in IPv4 and MLDv2 in IPv6 for controlling a multicast group.
 - They comply with the protocol of this system for setting up them among points. (e.g., Layer2VPN etc.)

Requirements for a router or Layer 3 switch for interconnecting sites

- For a router or Layer 3 switch (a component in this system) connected to this unit directly;
 - It has a NAT function.
 - UPnP can be set to OFF (IPv4 only).
 - It can be set to open ports individually (Protocol: UDP).
 - The number of ports that can be opened differs depending on the system configuration.

Setting port range	UDP	1 ~ 65535
	TCP	1 ~ 65535
UDP port forwarding setting	1 site	8 ports
	IP-IPC	3 ports
	IS-IPMV	2 ports
	IS-SOFT	2 ports
	IS-IPDV	1 port
	IS-IPDVF	1 port

e.g. When 1 x IS-IPMV and 1 x IS-SOFT is located behind a router;
 $8 \text{ ports} + 1 \times 2 \text{ ports} + 1 \times 2 \text{ ports} = 12 \text{ ports}$

Site:

Means an organization set up on a single LAN (IP network).

An entire system can have up to 32 sites connected on an IP network.

We do not recommend using a wireless LAN as it may not operate correctly due to security issues or communication speed delays.

All IP devices on your network should use either IPv4 or IPv6, but not a mix of both.

External servers such as NTP, DNS, or SMTP should be accessed by the same IP version as you set.

This system does not work DHCPv6 server.

Network bandwidth requires from 320k to 8Mbps per IP unit.

DESCRIPTION IP VIDEO DOOR STATION (Color, Vandal-resistant)	FIG. NAME RESTRICTIONS	UNIT mm	DATE 2 May, 2013
MODEL NO. IS-IPDV	FIG.NO. 57318-3-9	PAGE 3/9	REVISION 3 AIPHONE

FUNCTIONS

Initiating a call to and entering communication with Master station, IP master station, PC master station.

It can ring multiple Master stations (programmable, up to 20 masters in the same site, or 19 masters in the same site and 1 remote site)

Name plate is backlit constantly

Inter site calling and communication

Status LED List

Status	LED indication
Initialize	Blinking (Orange) *1,*2
Standby	Lit (Orange)
Error *3~*7	Blinking (Red)
Door monitor	Lit (Orange)
Door Scan monitor	Lit (Orange)
Door relay (release) activation	Blinking (Green)
Door call (Normal)	Blinking (Orange) *11
Door call (Priority)	Blinking (Orange) *11
Door call (Urgent)	Blinking (Red)
Door call denied *8	Lit (Red) *9
Communication	Lit (Green)
Call transfer	Lit (Green)
Chime (incoming)	Lit (Green)
Paging (incoming)	Lit (Green)
Forced termination *10	Lit (Red)

*1.LED starts blinking in approx. 3 seconds (lighting in red) after starting up.

*2.When configuration file was not acquired from the host IP unit
Blinking continues.

*3.No supervisory
Blinking until state recovery.

*4.No REGISTER response from SIP server
Blinking until state recovery.

*5.When not registered to SIP server.
Blinking until state recovery.

*6.When the transmission error was not acknowledged within timeout
LED turns lit (Orange) .

*7.No signal was detected from DHCP server (When DHCP is set to ON).
Blinking until state recovery.

*8.Call status indication continues until "Call denied" is acknowledged.

*9.Lit for approx. 3 seconds (ex. When IP talk channel is occupied)

*10.Lit when the current talk path is interrupted due to a higher priority call/communication from/with another station.

*11.Blinking patterns are different

You can send e-mails to the designated mail addresses in the following events.

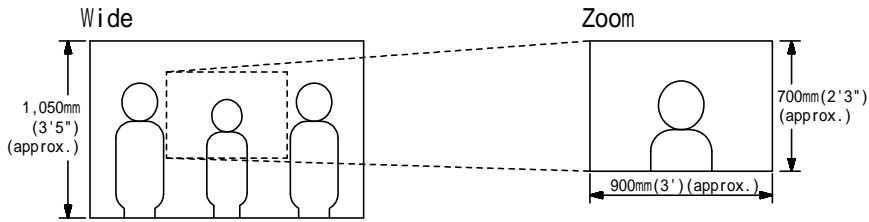
- When calling(*)
- When a calling is unsuccessful
- When a error occurs among units
- When the system starts up

Each of these events that has occurred in the previous 60 seconds is summarized and sent in an e-mail.

(*)When there is a door call at an IP video door station, an e-mail will be sent with a snapshot (QVGA JPEG) at the station attached.

DESCRIPTION IP VIDEO DOOR STATION	(Color, Vandal-resistant)	FIG. NAME FUNCTIONS	UNIT mm	DATE 1 September, 2011
MODEL NO. IS-IPDV		FIG.NO. 57318-4-9	PAGE 4/9	REVISION 1 AIPHONE

IMAGE VIEW AREA & MOUNTING HEIGHT

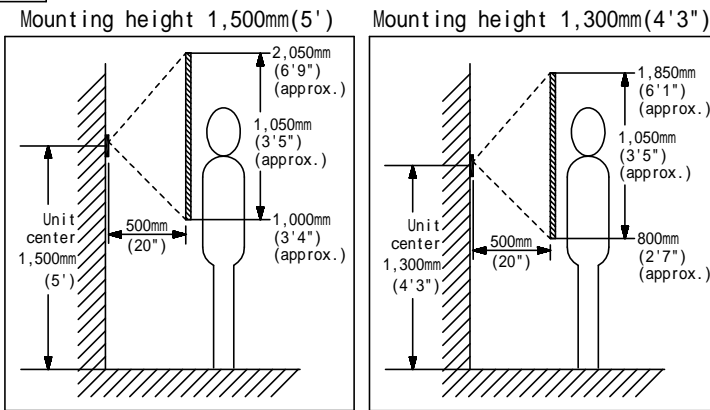


Objects appear smaller due to greater distortion in the surrounding sections compared to the central section, but a wider area is displayed.

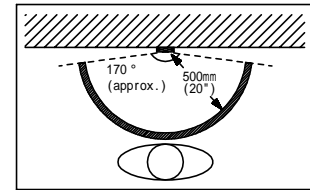
Image view area depends on the camera zoom position.

Wide

Vertical

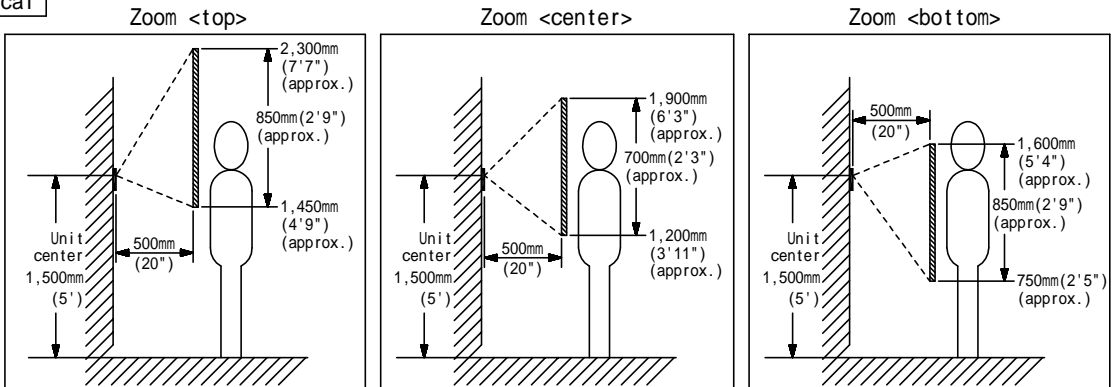


Horizontal

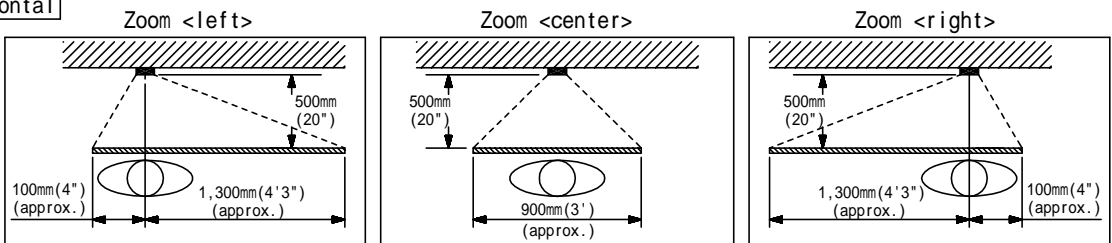


Zoom (Mounting height: 1,500mm (5'))

Vertical



Horizontal



DESCRIPTION IP VIDEO DOOR STATION (Color, Vandal-resistant)	FIG. NAME IMAGE VIEW AREA	UNIT mm	DATE 1 September, 2011
MODEL NO. IS-IPDV	FIG.NO. 57318-5-9	PAGE 5/9	REVISION 1
			AIPHONE

SYSTEM SETTINGS

The following is the list of system settings you can make via the web browser.

NOTE:

The following list is a brief overview of the setting items available in the system settings on a PC. The descriptions, and the style and order of descriptions do not necessarily equate with the actual displays.

Title	Sub title	Item	Sub item	Setting range	
-	-	(Language)	-	English/French/German/Spanish/Dutch/Italian/Japanese	
Network setting	Network setting: Individual	IP version	-	IPv4/IPv6	
		Host unit setting	-	Host unit/Client unit	
			Host unit IP address (available when [Host unit setting] is set to "Client unit")	-	(Enter the Host unit IP address.)
		System name (available when [Host unit setting] is set to "Host unit")	-	Up to 24 alphanumeric characters	
		(Select the network setting method.)	-	IPv4	DHCP/Static IP Address
			-	IPv6	Stateless Address Autoconfiguration/Static IP Address
		Static IP Address	Static IP Address (required when [Static IP Address] is selected)	IPv4	0 ? 255 (for each field)
				IPv6	0::1 ? ffff:ffff:ffff:ffff:ffff:ffff:ffff:ffff
			Subnet Mask (required when [Static IP Address] is selected)	IPv4	0 ? 255 (for each field)
				IPv6	(Unmodifiable)
			Default Gateway	IPv4	0 ? 255 (for each field)
		Primary DNS Server	IPv4	0 ? 255 (for each field)	
			IPv6	0::1 ? ffff:ffff:ffff:ffff:ffff:ffff:ffff:ffff	
	Secondary DNS Server	IPv4	0 ? 255 (for each field)		
		IPv6	0::1 ? ffff:ffff:ffff:ffff:ffff:ffff:ffff:ffff		
	MAC address	-	(Unmodifiable)		
	Unit name	-	Up to 24 alphanumeric characters		
	Web port	-	443 (Unmodifiable)		
	Connection port	-	IPv4	1024 - 65535	
		-	IPv6	5060 (Unmodifiable)	
	Connection Password	-	Up to 16 alphanumeric characters		
	Network setting: Common	UPnP	-	IPv4	ON/OFF
			-	IPv6	(Unmodifiable)
Global IP address (available when [UPnP] is set OFF)		-	IPv4	0 ? 255 (for each field)	
		-	IPv6	(Unmodifiable)	
Connection port: global		-	(Unmodifiable)		
Multicast address 1 - 5 1, 2		-	IPv4	239.0.0.0 - 239.255.255.255	
	-	IPv6	ff12::0 ? ff12:ffff:ffff:ffff:ffff:ffff:ffff:ffff (The first 4 digits must be "ff12".)		
Audio/video port	-	1024 - 65535			

1."Multicast address 3" is not available.

2.[Multicast address] may not be used depending on devices.

DESCRIPTION IP VIDEO DOOR STATION	(Color, Vandal-resistant)	FIG. NAME SYSTEM SETTINGS	UNIT mm	DATE 2 May, 2013
MODEL NO. IS-IPDV		FIG.NO. 57318-6-9	PAGE 6/9	REVISION 1
				AIPHONE

Title	Sub title	Item	Sub item	Setting range	
Administrator setting	-	New administrator ID	-	Up to 16 alphanumeric characters	
		Current Password	-	Up to 16 alphanumeric characters	
		New Password	-	Up to 16 alphanumeric characters	
		New Password (Re-type)	-	Up to 16 alphanumeric characters	
IP unit search	-	-	-	-	
System setting	Area/Site registration	Area/Site Name	-	Up to 24 alphanumeric characters (for up to 99 areas including sites) * Up to 31 for sites	
		Area/Site	-	Area/Site	
		IP Address (sites only)	-	IPv4 0 ? 255 (for each field)	
			-	IPv6 0::1 ? ffff:ffff:ffff:ffff:ffff:ffff:ffff:ffff	
		Port number (sites only)	-	1024 - 65535	
		Connection Password (sites only)	-	Up to 16 alphanumeric characters	
	Door release (sites only)	-	ON/OFF		
	Zone registration	Zone name	-	Up to 24 alphanumeric characters (for up to 99 zones)	
	IP unit registration	Station type	-	IP control unit, IP video door station, IP master station, PC master station	
			MAC address	-	
			Unit name	-	Up to 24 alphanumeric characters
			Port number	-	1024 - 65535
	Registering stations	Area	-	(Area) 01 to 99	
			-	001 to 999 0001 to 9999 00001 to 99999	
		Station name	-	Up to 24 alphanumeric characters	
		Station type	-	(Unmodifiable)	
	Advanced station settings	Video door station	Called stations	Call priority	Normal/Priority/Urgent
				Called stations	(Set up to 20 targets from the registered ones.)
			Other	Transmit volume boost at PTT	(ON:approx. +6dB up)
				Camera zoom image preset	0 (wide)/1/2/3/4/5/6/7/8/9 (zoom)
				Call acknowledge tone on/off	ON/OFF
				Backlight adjustment	Exposure +/Exposure -
		Master station	Stations to be scan monitored	(Select up to 20 sub stations from the registered ones.)	
			Other	Master station function: paging, chime, monitor, door release, and remote site call	ON/OFF
		Zone setting	Zone number	-	(Select from the registered ones.)
			Stations	-	(Select from the list.)

DESCRIPTION IP VIDEO DOOR STATION	(Color, Vandal-resistant)	FIG. NAME SYSTEM SETTINGS	UNIT mm	DATE 2 May, 2013
MODEL NO. IS-IPDV		FIG.NO. 57318-7-9	PAGE 7/9	REVISION 1
				AIPHONE

Title	Sub title	Item	Sub item	Setting range	
Time and date setting	-	Set current time	Manual setting	Year: 2009 to 2099 Month: 1 to 12 Day: 1 to 31 Hour: 0 to 23 Minute: 0 to 59 Second: 0 to 59	
			Synchronized with PC	-	
		NTP	Synchronized with NTP server	ON/OFF	
			NTP server 3	IP address or domain name	
			NTP port number 3	1 - 65535	
			(UTC time zone 3) Hour difference 3	-12 to +13 (h)	
			(UTC time zone 3) Minute difference 3	-45/-30/0/+30/+45 (m)	
			Synchronize interval	1 to 240 (h)	
			Daylight savings time	-	ON/OFF
		Starts	4	Month	JAN to DEC (M)
				Day (Week)	1st to 4th(W)/The last
				(Day)	Sunday to Saturday
				Hour (Hour)	0 to 23 (h)
			(Minute)	0 to 59 (m)	
			4	Month	JAN to DEC (M)
				Day (Week)	1st to 4th(W)/The last
				(Day)	Sunday to Saturday
				Hour (Hour)	0 to 23 (h)
			(Minute)	0 to 59 (m)	
		Hour difference 4	0 to 12 (h)		
Minute difference 4	0/30/45 (m)				
Transfer setting	Registering daily transfer schedule	Schedule number	-	DT1/DT2	
		Schedule name	-	Up to 24 alphanumeric characters	
		Call transfer time	-	Hour: 0 to 23 Minute: 0 to 59 (Set to the Start time and End time individually.)	
	Transfer schedule setting	Weekly schedule	(Repeat setting)	Every week/Every other week	
			Schedule start date	From the current day to 1 year ahead	
			Schedule end date	From the start day to 1 year ahead	
			(Transfer schedule)	None/DT1/DT2 (for each day of the week)	
		Individual schedule	(Date)	From the current day to 1 year ahead	
			Daily transfer schedule	(Select from the registered ones.)	
			Call transfer time	Hour: 0 to 23 Minute: 0 to 59 (Set to the Start time and End time individually.)	
Timer setting	-	Call	Normal/Priority /Urgent	10 to 600 (sec.), 0 (Unlimited)	
		Communication	In Local (Not available)	30 to 600 (sec.) (Not used for network direct system)	
			Via IP	30 to 600 (sec.)	
			Telephone (Not available)	30 to 600 (sec.) (Not used for network direct system)	
		Paging	-	30 to 600 (sec.)	

3.Available only when [Synchronized with NTP server] is set to ON.

4.Available only when [Daylight savings time] is set to ON.

DESCRIPTION IP VIDEO DOOR STATION	(Color, Vandal-resistant)	FIG. NAME SYSTEM SETTINGS	UNIT mm	DATE 2 May, 2013
MODEL NO. IS-IPDV		FIG.NO. 57318-8-9	PAGE 8/9	REVISION 1
				AIPHONE

Title	Sub title	Item	Sub item	Setting range	
Timer setting	-	Monitor	-	10 to 600 (sec.)	
		Scan monitor: Switching	-	5 to 60 (sec.)	
		Contact output (Not available)	External sound source 1	10 to 300 (sec.)	
			External sound source 2	10 to 300 (sec.)	
		Door release	-	0 to 300 (sec.), (0: Released while holding the Door release button pressed.)	
Remote site pilot call setting	-	Remote site master call	Normal/Priority/ Urgent	(Select one from the registered stations in your site for each of "Normal", "Priority" and "Urgent".)	
		Remote site door call	Normal/Priority/ Urgent	(Select up to 20 stations from the registered master stations in your site for each of "Normal", "Priority" and "Urgent".)	
		Remote site room sub call (available when the remote site is a standard (IP) system that includes room sub stations (IS-RS).)	Normal/Priority/ Urgent	(Select up to 20 stations from the registered master stations in your site for each of "Normal", "Priority" and "Urgent".)	
		Remote site paging	Normal/Priority/ Urgent/Broadcast	(Select one from the registered zones in your site for each of "Normal", "Priority", "Urgent" and "Broadcast".)	
Video setting	-	Frame Rate	-	1/2/5/7.5/10/15 (fps)	
		Quality	-	Low, Middle, High, Excellent	
E-mail setting	-	Email destination address	1/2/3	Up to 256 alphanumeric characters	
			1/2/3	Up to 256 alphanumeric characters	
		Email source address	-	Up to 256 alphanumeric characters	
			SMTP authentication	SMTP server	Up to 256 alphanumeric characters
				SMTP server port	1 - 65535
				(Email) login ID	Up to 256 alphanumeric characters
		Mailing event	Password	Up to 64 alphanumeric characters	
			Call: Normal	ON/OFF	
			Call: Priority	ON/OFF	
			Call: Urgent	ON/OFF	
System start	ON/OFF				
Data communication error in the system	ON/OFF				
Updating the system	-	-	-	-	
Downloading setting data	-	-	-	-	
Uploading setting data	-	-	-	-	

DESCRIPTION IP VIDEO DOOR STATION	(Color, Vandal-resistant)	FIG. NAME SYSTEM SETTINGS	UNIT mm	DATE 2 May, 2013
MODEL NO. IS-IPDV		FIG.NO. 57318-9-9	PAGE 9/9	REVISION 1 AIPHONE