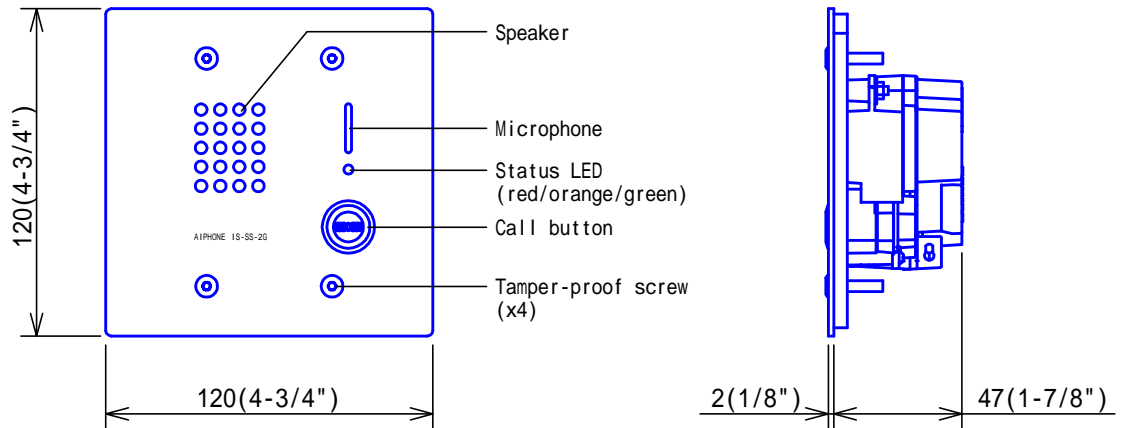
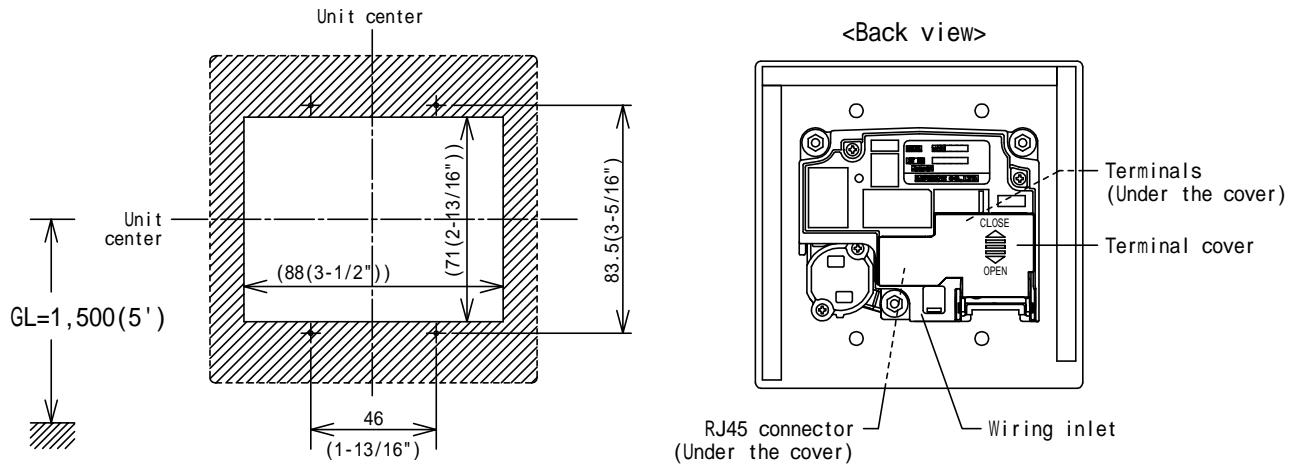


## PRODUCT DRAWING



## MOUNTING



- \* Unit case; 2-gang guided 83.5 H x 46 W
- \* ( ): Opening cut out when electrical box is provided.

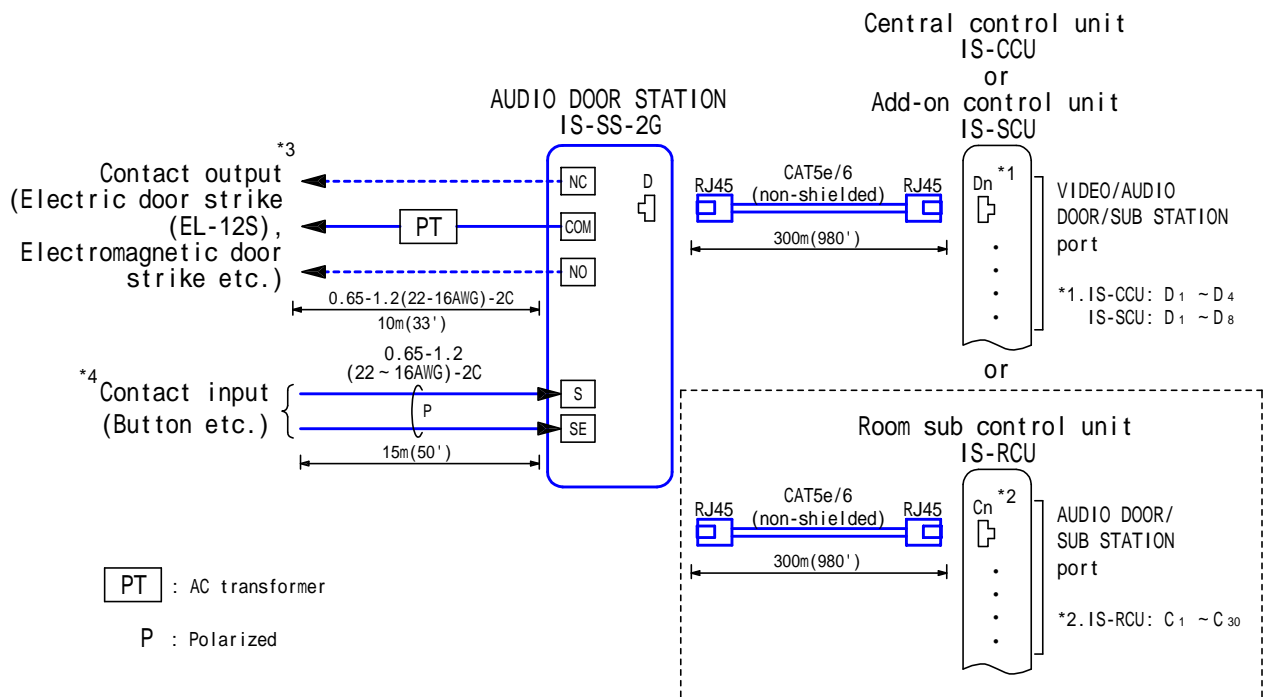
## SPECIFICATIONS

Power source	Supplied from Central control unit, Add-on control unit or Room sub control unit.
Communication	Open voice hands-free communication
Ambient temperature	-10 ~ 60 (+14 ° F ~ +140 ° F)
Mounting	Flush mount
Electrical box	2-gang box
Material	Front panel: Stainless steel. Unit: Flame resisting PC + ABS resin
Weight	370g (0.82lbs)(approx.)
Color	Silver (Stainless steel, vertical hair-line processed.)
Remarks	Weather-resistant (Protection class: IP54)

DESCRIPTION AUDIO DOOR STATION (Vandal-resistant)	FIG. NAME <b>PRODUCT/SPECIFICATIONS</b>	UNIT mm	DATE 13 March, 2012
MODEL NO. <b>IS-SS-2G</b>	FIG.NO. 58258-1-3	PAGE 1/3	REVISION 1

**AIPHONE**

# WIRING DIAGRAM



\*3. Output specifications

Output method	N/O or N/C dry closure contact
Voltage between terminals	24V AC, 0.5A (resistive load) 24V DC, 0.5A (resistive load) Minimum overload (AC/DC): 100mV, 0.1mA

\*4. Input specifications

Input method	N/O dry closure contact (start signal only detection method)
Detection confirmation time	100 msec or more
Contact resistance	During N/O dry closure: Less than 700
Terminal short current	Less than 10 mA
Voltage between terminals	Less than 5 V DC (when open between terminals)

## RESTRICTIONS

IS-SS-2G door station is exclusively used with IS Series Master stations.

DESCRIPTION AUDIO DOOR STATION (Vandal-resistant)	FIG. NAME WIRING/RESTRICTIONS	UNIT mm	DATE 13 March, 2012
MODEL NO. IS-SS-2G	FIG.NO. 58258-2-3	PAGE 2/3	REVISION 1
			<b>AIPHONE</b>

## FUNCTIONS

Initiating a call to and entering communication with Master station, IP master station, PC master station or telephone (in standard (IP) system. North America only).

It can ring multiple Master stations(programmable, up to 20 masters)

Inter site calling and communication (standard (IP) system)

Contact input: When an external call button (etc.) is pressed (activated), calling the designated master stations.

### Status LED List

Status	LED indication
Initialize	OFF
Standby	Lit (Orange)
Error *1 *2	Blinking (Red)
Door monitor	Lit (Orange)
Door Scan monitor	Lit (Orange)
Door relay (release) activation	Blinking (Green)
Door call (Normal)	Blinking (Orange) *6
Door call (Priority)	Blinking (Orange) *6
Door call (Urgent)	Blinking (Red)
Door call denied *3	Lit (Red) *4
Communication	Lit (Green)
Communication transfer	Lit (Green)
Chime (incoming)	Lit (Green)
Paging (incoming)	Lit (Green)
Forced termination *5	Lit (Red) for approx. 3 seconds

\*1. When transmission error occurs with connected control unit. Blinking until state recovery.

\*2. When the transmission error is not acknowledged before LED (error) indication timeout: Blinking and error tone continue. (Returns to the standby mode after the timeout)

\*3. Call status indication continues until "Call denied" is acknowledged.

\*4. Lit for approx. 3 seconds after the call button is pressed (ex. When IP talk channel is occupied).

\*5. Lit when the current talk path is interrupted due to a higher priority call/communication of another station.

\*6. Blinking patterns are different.

DESCRIPTION AUDIO DOOR STATION (Vandal-resistant)	FIG. NAME <b>FUNCTIONS</b>	UNIT mm	DATE 13 March, 2012
MODEL NO. <b>IS-SS-2G</b>	FIG.NO. 58258-3-3	PAGE 3/3	REVISION 1
			<b>AIPHONE</b>