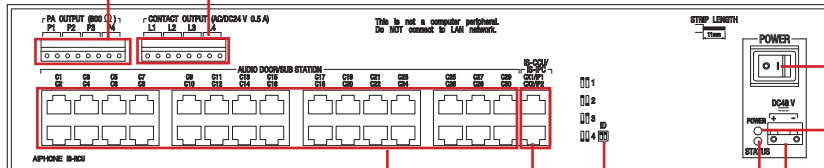


## Room sub control unit (IS-RCU)

### Part names

CONTACT OUTPUT terminals

PA (Paging) OUTPUT terminals



AUDIO DOOR/SUB STATION ports

Central control unit (IS-CCU) /  
IP control unit (IS-IPC) ports

ID setting switch  
(→P.15)

POWER switch

Turns the power ON (I) or OFF (O).

POWER LED (green)

Lights up when the power is ON.

POWER terminals

STATUS LED (green)

Blinks when this unit is initialized or an error\*1 occurs.

The LED will light up when this unit returns to the normal state.

\*1: Communication error in a unit connected to this unit, or between this unit and a unit connected to it, etc.

#### NOTE:

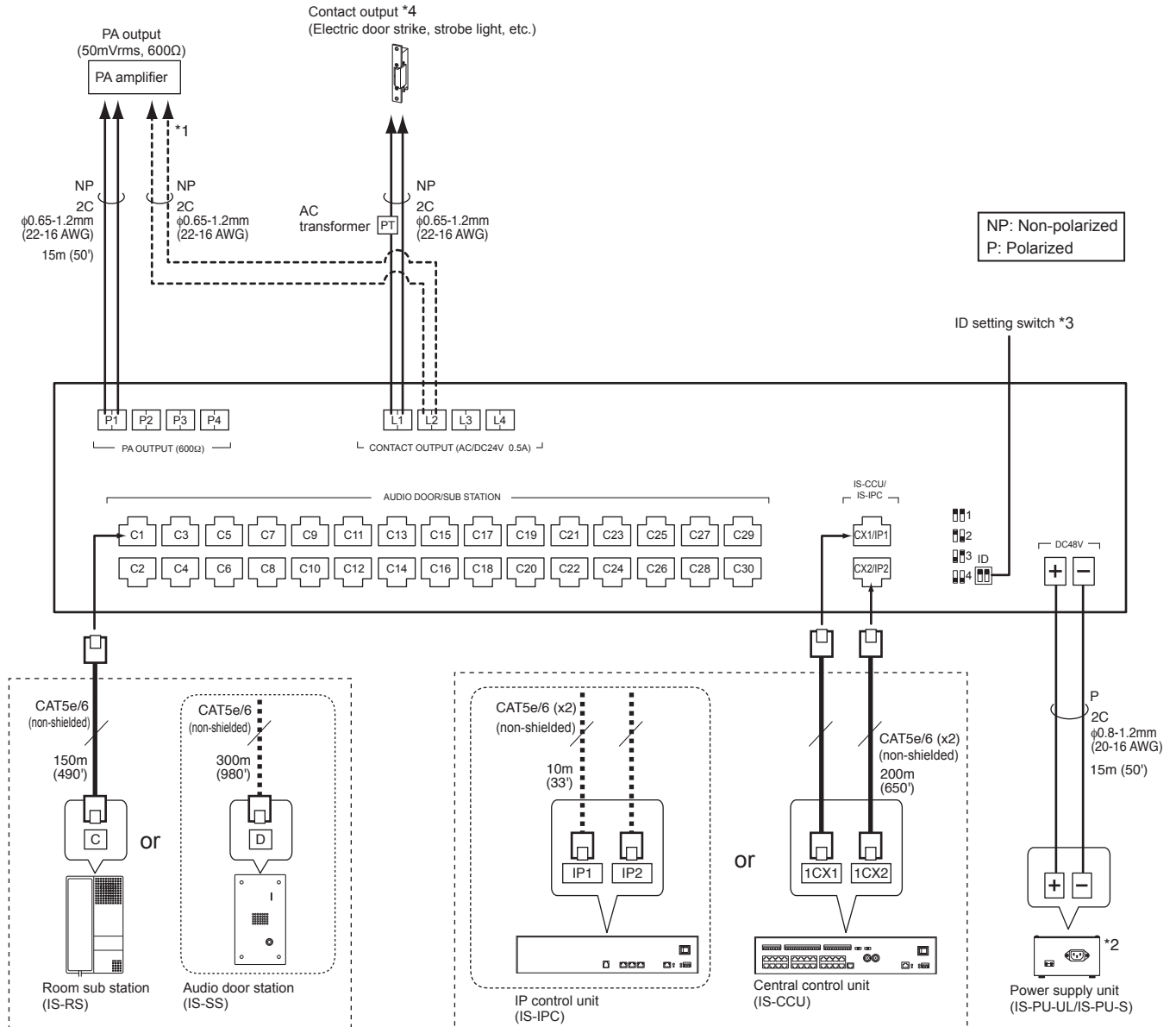
The illustration of the unit may differ from the actual one.

### Specifications

#### Room sub control unit (IS-RCU)

Power source	48V DC (supplied from the power supply unit)
Current consumption	Max. 1.8A
Ambient temperature	0 - 40°C (+32°F - +104°F)
Talk channels	Local system: 2 talk channels, 1 chime
Audio door station(s) Room sub station(s)	Max. 30
Mounting	Rack-mount (19-inch, 2U rack) or wall-mount
Material	Steel plate
Color	Black

## Connections



\*1: This connection is needed when a PA amplifier that needs a trigger input is connected. (Up to AC/DC 24V 0.5A)

\*2: Do not install two power supplies in parallel to a single input. Be sure to connect a single power supply unit to a control unit.

\*3: **Setting the ID setting switch**

ID No.	Switch position	Description
ID 1	ON OFF	Set to this position when this unit is connected to 1CX1 and 1CX2 ports of IS-CCU. Set to this position when this unit is connected to IS-IPC.
ID 2	ON OFF	Set to this position when this unit is connected to 2CX1 and 2CX2 ports of IS-CCU.
ID 3	ON OFF	Set to this position when this unit is connected to 3CX1 and 3CX2 ports of IS-CCU.
ID 4	ON OFF	Set to this position when this unit is connected to 4CX1 and 4CX2 ports of IS-CCU.

\*4: Refer to "Output specifications" (→P.11).

### NOTES:

- Do not use the unoccupied terminals and ports for other purposes.
- In order to prevent miswiring, label both ends of each cable with the unit and terminal names to which they are to be connected.
- For connecting other manufacturer's products, refer to the instruction manuals for those products.
- The illustration of the unit's front panel differs from the actual one. This is for simplifying the connection diagram.