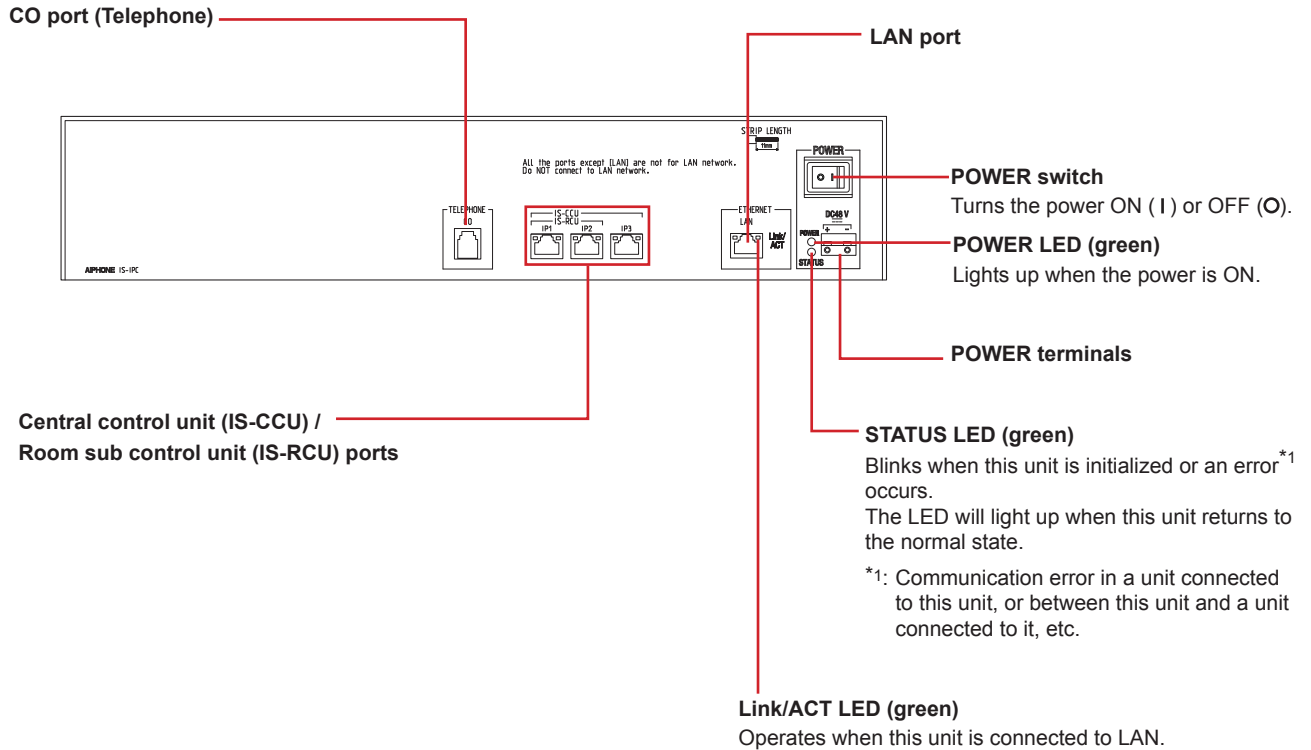


IP control unit (IS-IPC)

IP : This unit is needed to connect a local system to a standard (IP) system.

Part names



NOTE:

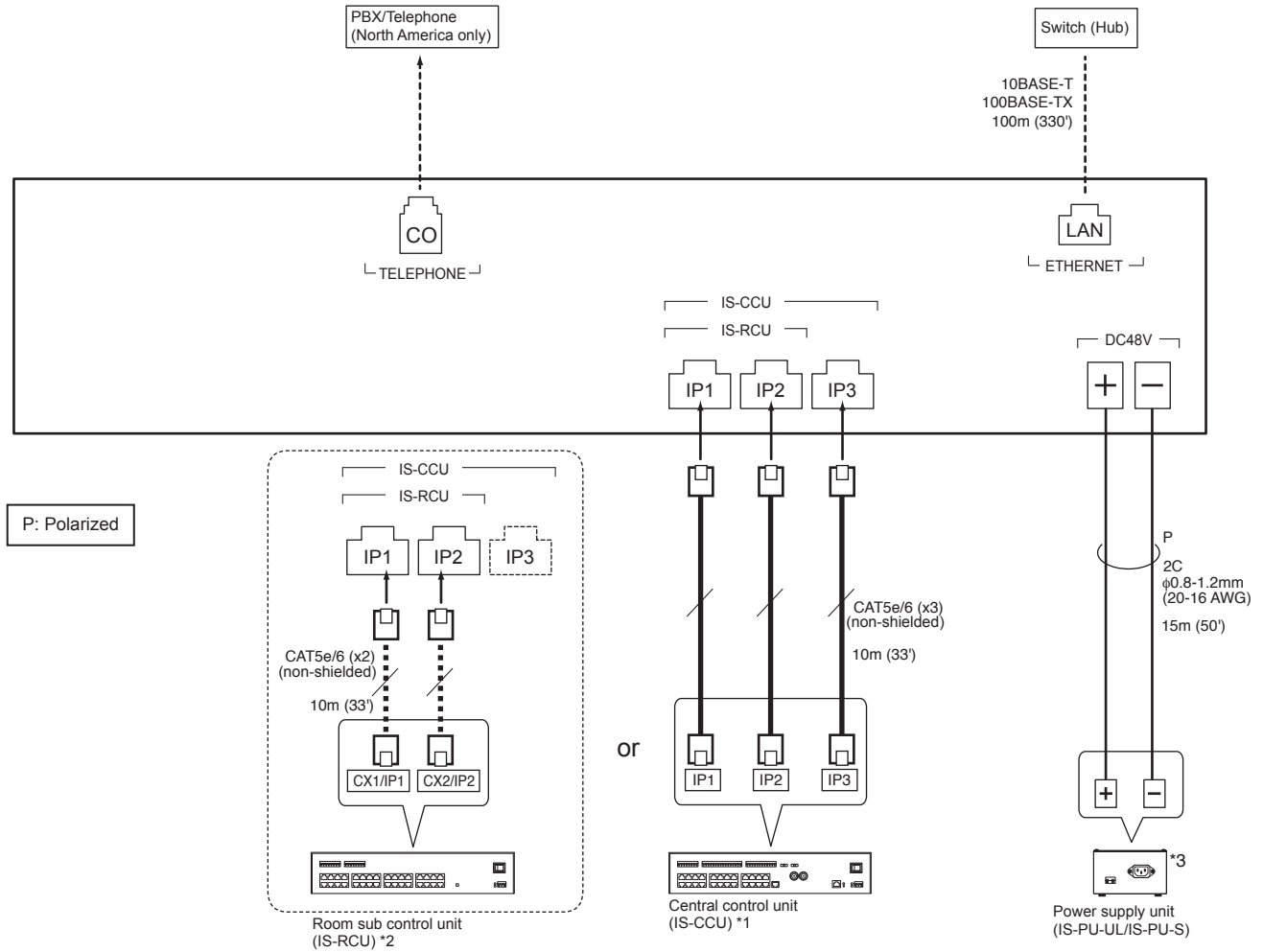
The illustration of the unit may differ from the actual one.

Specifications

IP control unit (IS-IPC)

Power source	48V DC (supplied from the power supply unit)
Current consumption	Max. 105mA
Ambient temperature	0 - 40°C (+32°F - +104°F)
Talk channels · Video channels, other channels	2 talk & 2 constrained video channels, 1 chime, and 1 telephone (North America only)
Central control unit	Max. 1
Room sub control unit	
LAN	Ethernet (10 BASE-T, 100 BASE-TX)
Mounting	Rack-mount (19-inch, 2U rack) or wall-mount
Material	Steel plate
Color	Black

■ Connections



*1: When connecting a central control unit (IS-CCU) to this unit, connect it to the IP1, IP2 and IP3 ports.

*2: When connecting a room sub control unit (IS-RCU) to this unit, connect it to the IP1 and IP2 ports.

*3: Do not install two power supplies in parallel to a single input. Be sure to connect a single power supply unit to a control unit.

NOTES:

- Do not use the unoccupied terminals and ports for other purposes.
- In order to prevent miswiring, label both ends of each cable with the unit and terminal names to which they are to be connected.
- For connecting other manufacturer's products, refer to the instruction manuals for those products.
- The illustration of the unit's front panel differs from the actual one. This is for simplifying the connection diagram.