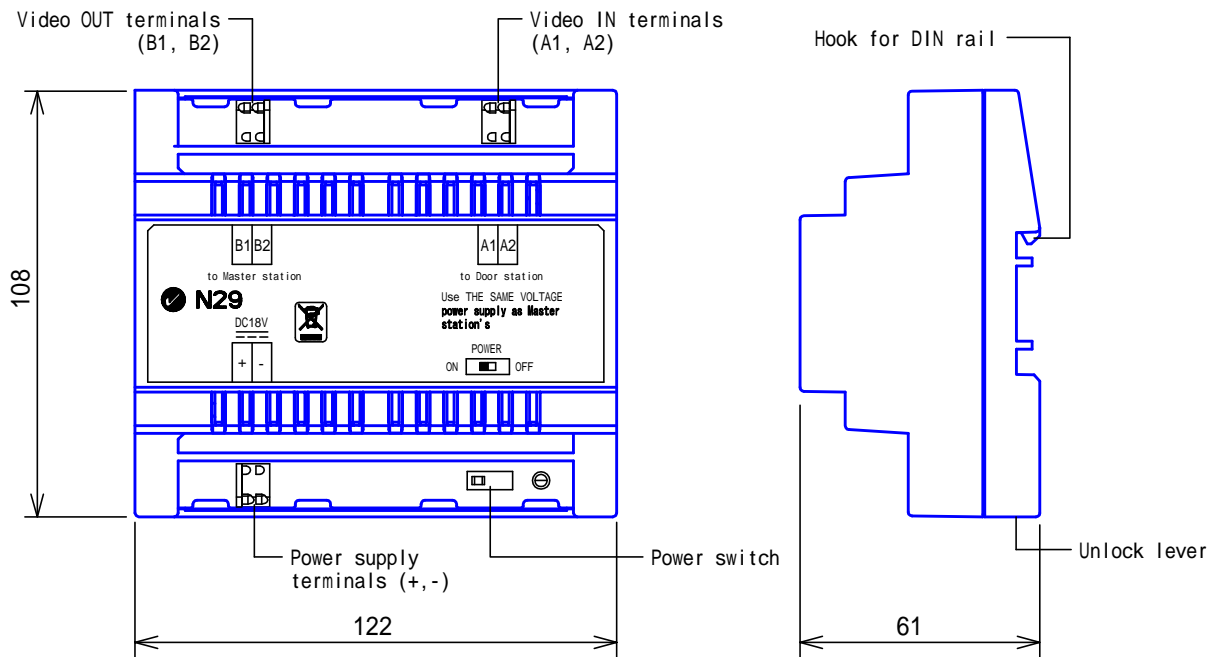
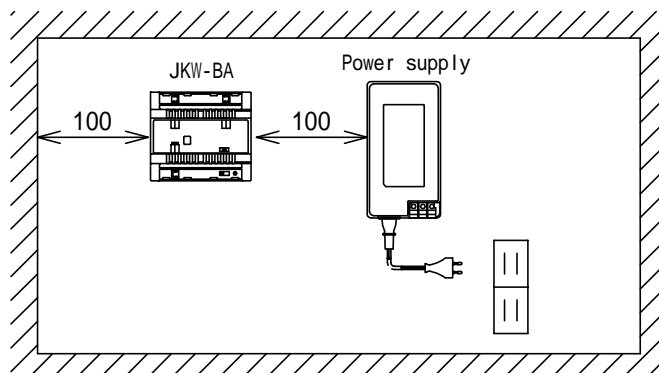


PRODUCT DRAWING



MOUNTING

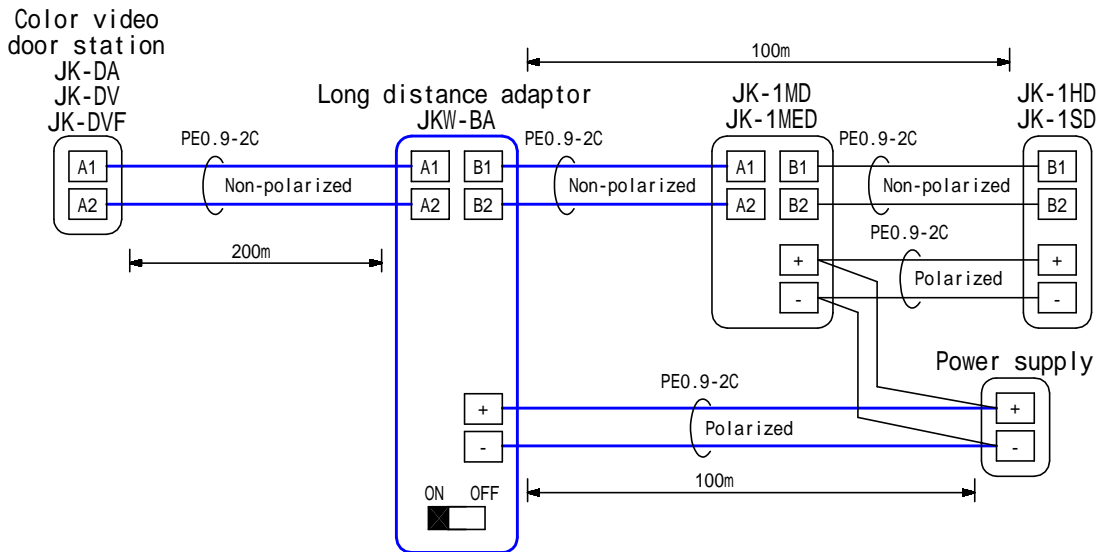


Locate JKW-BA together with Power supply inside an Enclosure box or other protected for limited access.

SPECIFICATIONS

Power source	18V DC. Supplied from Power supply (JK system or separate).		
Current consumption	95mA (max.)		
Wiring distance	0.65	1.0	
JKW-BA - Door station	100m	200m	
JKW-BA - (Sub) Master station	50m	100m	
Mounting	DIN rail mount.		
Housing	Fire-retardant ABS plastic.		
Weight	Approx.230g (0.51lbs.)		
Unit color	Gray (5Y8/1 Munsell Approximation)		
Remarks	Used for; JK-1MD, JK-1MED		
DESCRIPTION LONG DISTANCE ADAPTOR (JK series)	FIG. NAME PRODUCT/SPECIFICATIONS	UNIT mm	DATE 25 December, 2008
MODEL NO. JKW-BA	FIG.NO. 56865-1-2	PAGE 1/2	REVISION 1 AIPHONE

WIRING DIAGRAM



RESTRICTIONS

JKW-BA is compatible only with JK series.

When a single Power supply is used for both Master station and JKW-BA, do not common connecting wires.

Power supply for JKW-BA shall be for the same DC 18V voltage as for Master station.

FUNCTIONS

Enabling a Color video door station to be installed max. 300m away from (Sub) Master station.

DESCRIPTION LONG DISTANCE ADAPTOR (JK series)	FIG. NAME WIRING/RESTR./FCN.	UNIT mm	DATE 25 December, 2008
MODEL NO. JKW-BA	FIG.NO. 56865-2-2	PAGE 2/2	REVISION 1
			AIPHONE