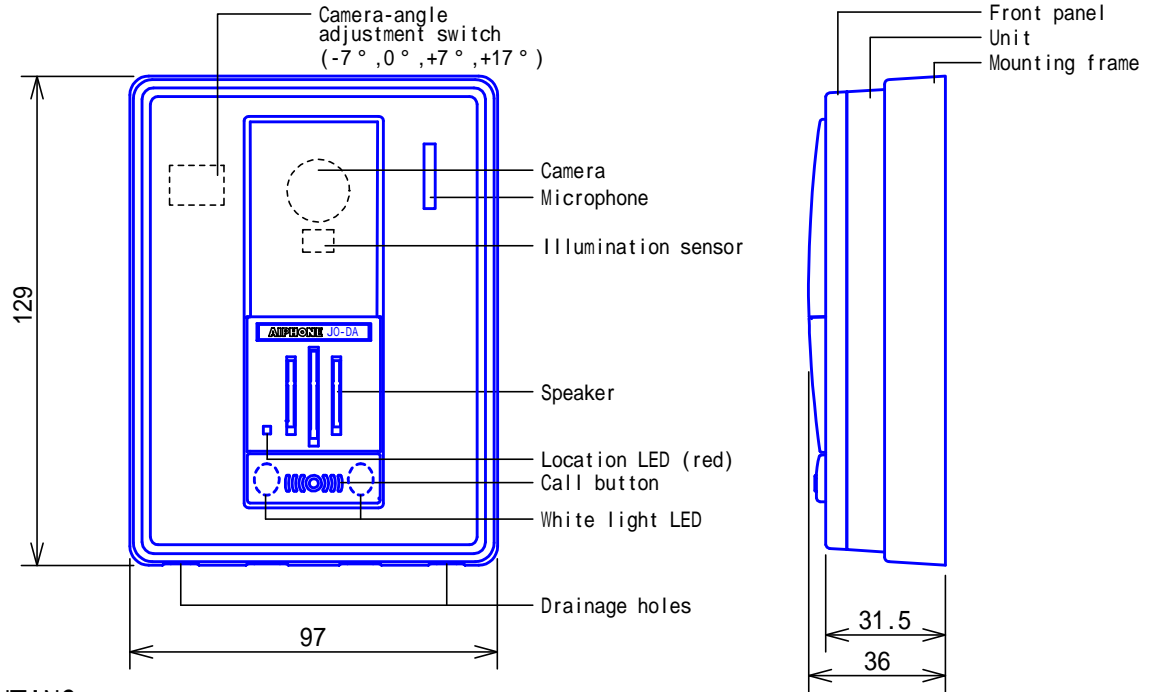
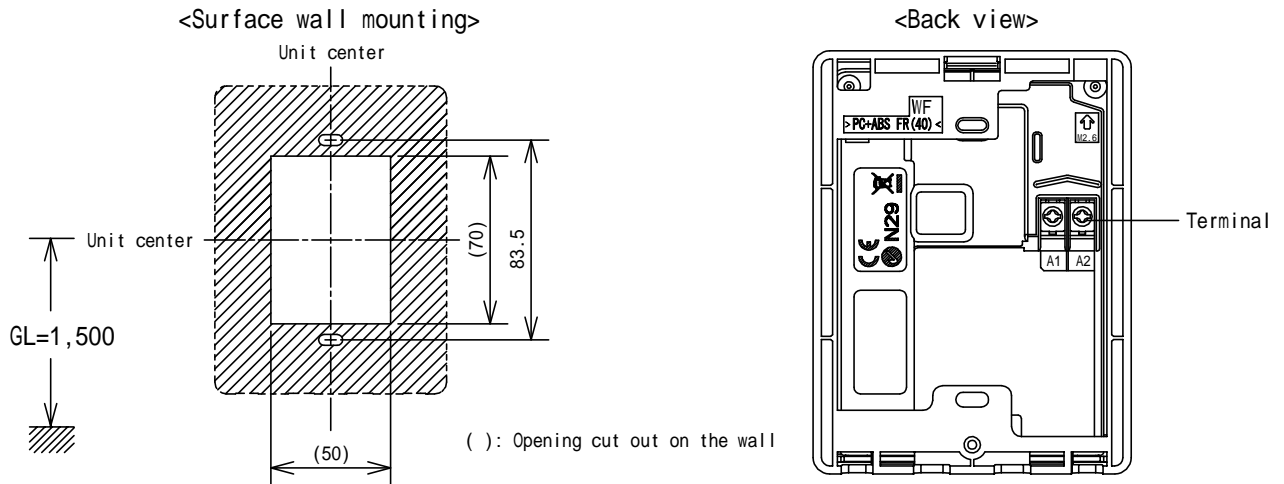


PRODUCT DRAWING



MOUNTING



SPECIFICATIONS

| | | | |
|-------------------------|---|--|--|
| Power source | Supplied from Master monitor station or Expansion monitor station | | |
| Type of communication | Open voice hands-free communication | | |
| Camera | 1/4 inch color CMOS | | |
| Minimum illumination | 5 lux (approx.) | | |
| Camera angle adjustment | -7°, 0°, +7°, +17° (4-positions) | | |
| Ambient temperature | -20 ~ +60 | | |
| Mounting | Surface wall mount (Directly to wall or electrical box) | | |
| Electrical box | Single-gang box | | |
| Material | Fire-retardant PC + ABS plastic | | |
| Weight | 200g (approx.) (0.44 lbs) | | |
| Unit color | Clear Black | | |
| IP rating | IP54 | | |

| | | | |
|----------------------------|------------------------|------|---------------|
| DESCRIPTION | FIG. NAME | UNIT | DATE |
| VIDEO DOOR STATION (Color) | PRODUCT/SPECIFICATIONS | mm | 10 June, 2013 |
| MODEL NO. | FIG.NO. | PAGE | REVISION |
| JO-DA | 59273-1-3 | 1/3 | 1 |



WIRING DIAGRAM

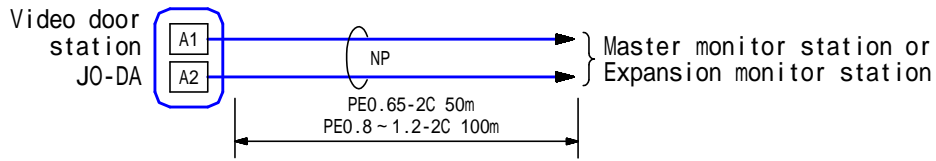
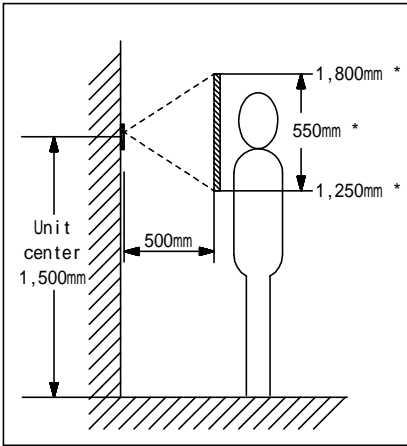


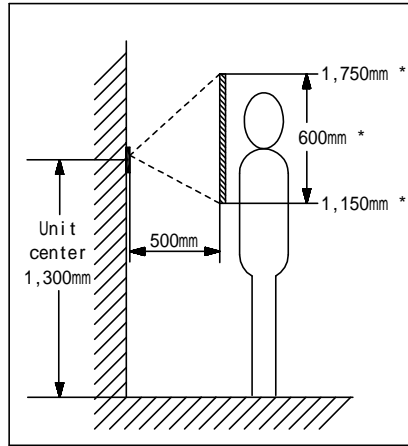
IMAGE VIEW AREA & MOUNTING HEIGHT

Vertical

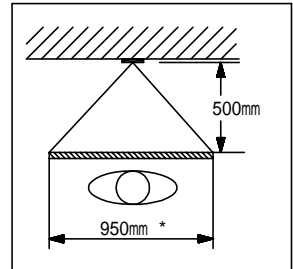
Camera angle: 0°



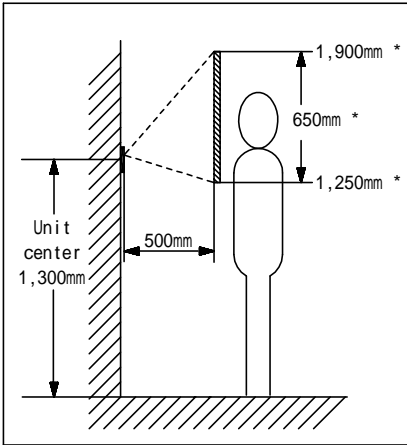
Camera angle: +7°



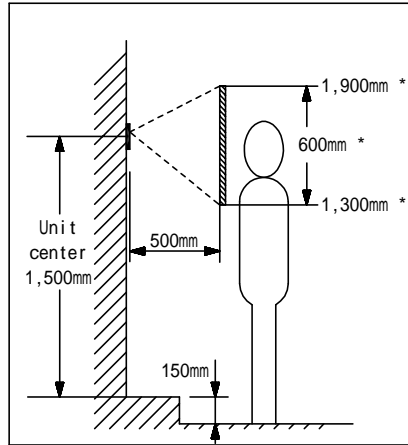
Horizontal



Camera angle: +17°



Camera angle: -7°
(When the station is at a high position due to a step)

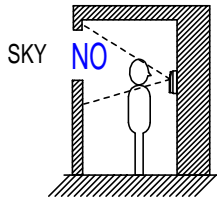


* The figures are approximate.

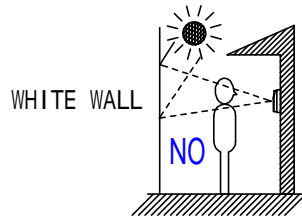
| | | | |
|---|-------------------------------------|-------------|-----------------------|
| DESCRIPTION VIDEO DOOR STATION (Color) | FIG. NAME WIRING/IMAGE VIEW AREA | UNIT mm | DATE 10 June, 2013 |
| MODEL NO. JO-DA | FIG.NO. 59273-2-3 | PAGE 2/3 | REVISION 1 |
| | | | AIPHONE |

RESTRICTIONS

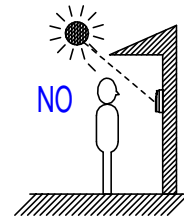
Do not cover the drainage holes with caulking seals.
 JO-DA door station is exclusively used for JO Series.
 JO-DA is mountable on each Angle box: JBW-D & KAW-D.
 Avoid installing JO-DA door station in the following locations;



At the entrance where background is sky in upper floors of building, etc.



The background of the standing caller's is white wall.



Where the standing location is strongly sunlit.

FUNCTIONS

Initiating a call to and entering communication with Master monitor station or Expansion monitor station.
 White light LED turns on during low-light conditions when monitoring and talking status.
 Location LED is steadily lit while the Master monitor station or the Expansion monitor station is in powered status.

| | | | |
|---|-------------------------------------|-------------|-----------------------|
| DESCRIPTION VIDEO DOOR STATION (Color) | FIG. NAME RESTRICTIONS/FUNCTIONS | UNIT mm | DATE 10 June, 2013 |
| MODEL NO. JO-DA | FIG.NO. 59273-3-3 | PAGE 3/3 | REVISION 1 |
| | | | AIPHONE |