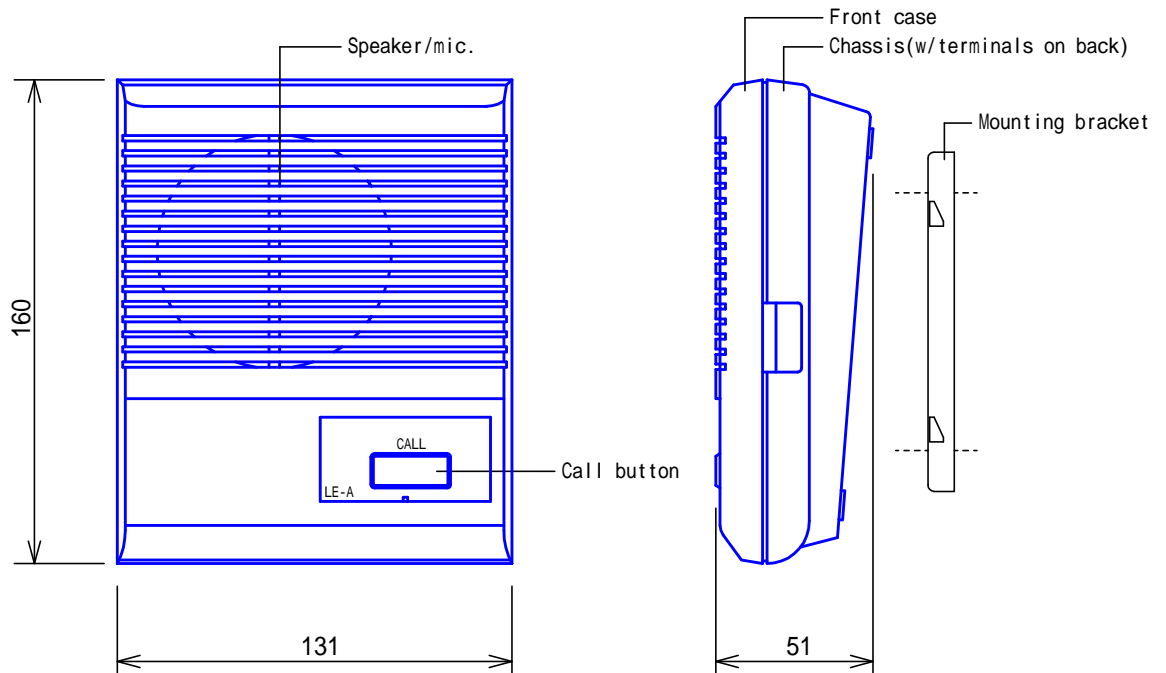
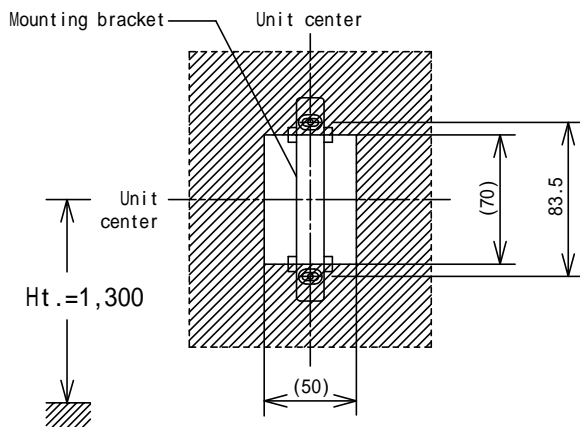


PRODUCT DRAWING



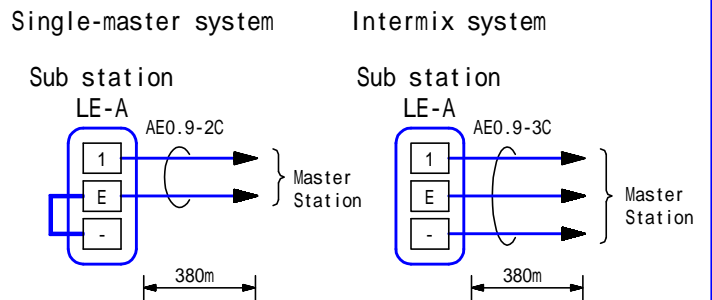
MOUNTING



50(W) x 70(H): Opening cut out on the wall.

SPECIFICATIONS

WIRING DIAGRAM



* Shorting link must remain attached in single-master configuration.

FUNCTIONS

Calling by pressing CALL and communication with Master station.

Power source	Supplied from Master station		
Type of communication	Open voice handsfree communication (controlled by Master)		
Call tone	Electronic Beep tone and voice (from Master). Electronic Beep tone only (to Master with a Sub call-in LED lit).		
Mounting	Desk or wall-mount		
Electrical box	Single-gang box		
Housing	ABS plastic		
Weight	Approx. 210g		
Unit color	Snow white and gray, two-tone		
DESCRIPTION	FIG. NAME	UNIT	DATE
SUB STATION	PRODUCT/SPEC./WIRING/FCN.	mm	7 July, 2004
MODEL NO.	FIG.NO.	PAGE	REVISION
LE-A	57103311-1-1	1/1	2

AIPHONE