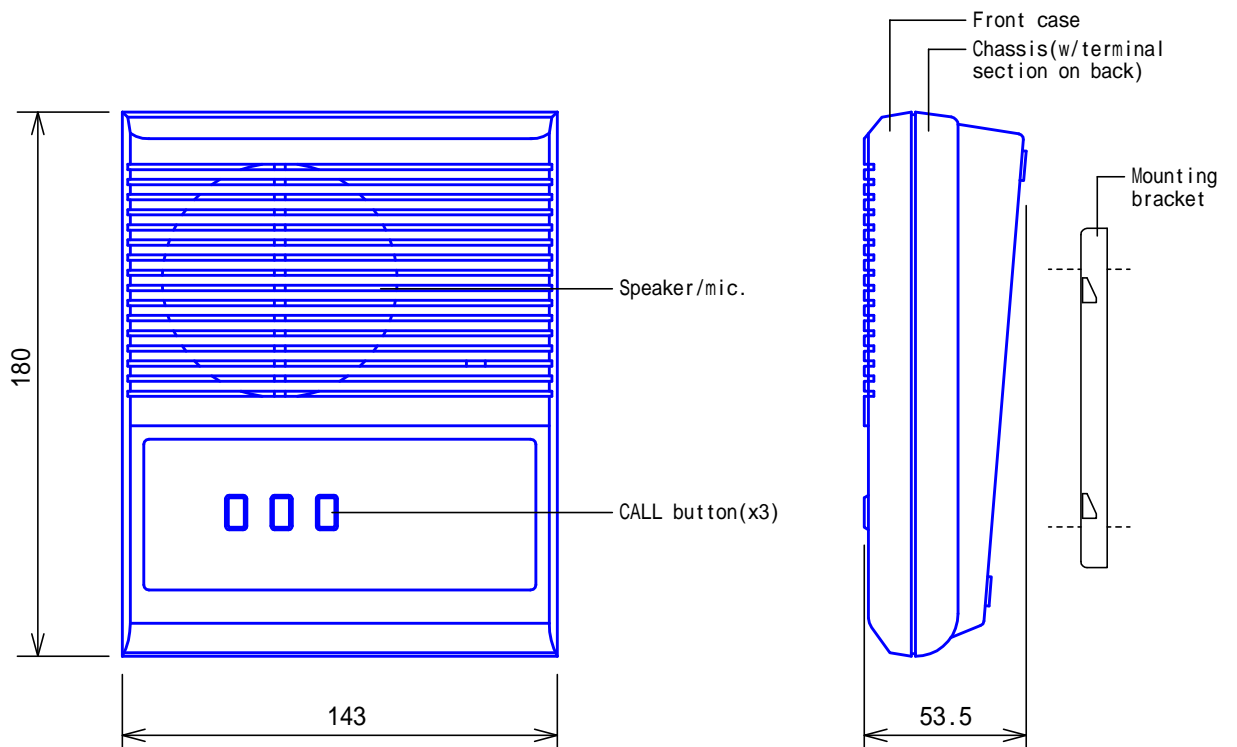
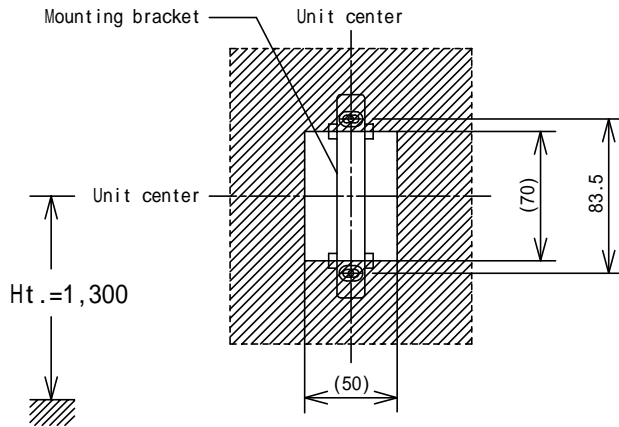


PRODUCT DRAWING



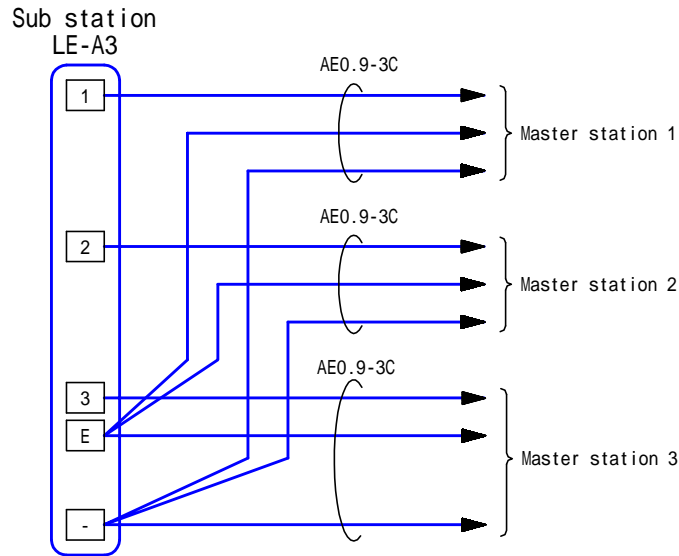
MOUNTING



50(W) x 70(H): Opening cut out on the wall.

DESCRIPTION <b>SUB STATION(3-call)</b>	FIG. NAME <b>PRODUCT DRAWING</b>	UNIT mm	DATE 21 October, 2004
MODEL NO. <b>LE-A3</b>	FIG.NO. 12449301-1-2	PAGE 1/2	REVISION 1
			<b>AIPHONE</b>

## WIRING DIAGRAM



## RESTRICTIONS

LE-A3 is compatible with LEF and LEF-C Series Master stations.

## FUNCTIONS

Initiating/Receiving a call and communication with up to three LEF Master stations. A call from LE-A3 may be signaled at one or two LEF Master stations simultaneously.

## SPECIFICATIONS

Power source	Supplied from LEF cable network		
Type of communication	Open voice handsfree communication (controlled by Master)		
Call tone	Electronic Beep tone & voice direct (from Master). Electronic Beep tone only (to Master with a Sub call-in LED lit).		
Capacity	Calling up to 3 Master stations selectively.		
Mounting	Desk or wall-mount		
Electrical box	Single-gang box		
Housing	ABS plastic		
Weight	Approx.240g		
Unit color	Snow white & gray, two-tone		
DESCRIPTION SUB STATION(3-call)	FIG. NAME SPEC./WIRING/RESTR./FCN.	UNIT mm	DATE 21 October, 2004
MODEL NO. LE-A3	FIG.NO. 12449301-2-2	PAGE 2/2	REVISION 1 <b>AIPHONE</b>