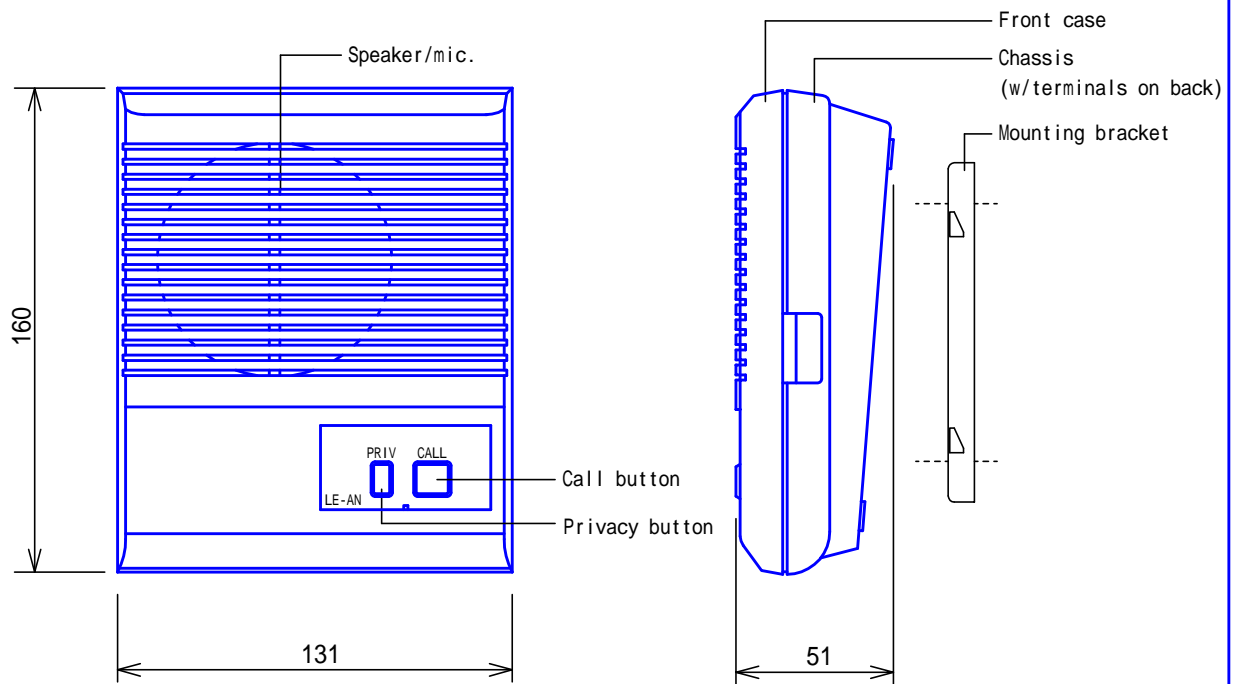
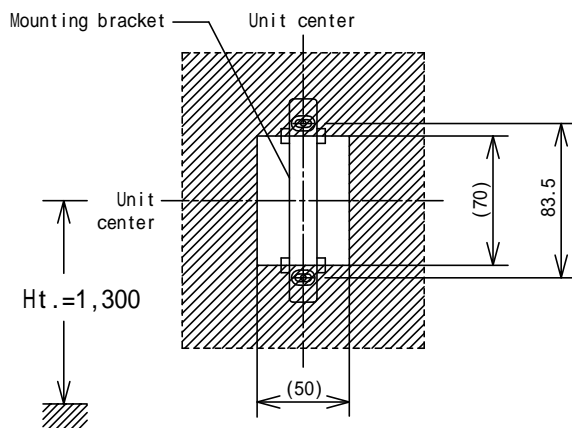


# PRODUCT DRAWING



## MOUNTING

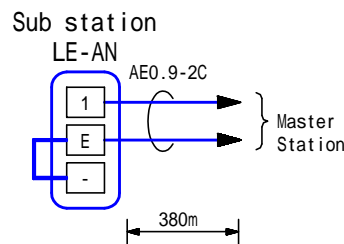


50(W) x 70(H): Opening cut out on the wall.

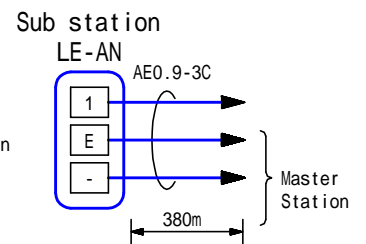
## SPECIFICATIONS

## WIRING DIAGRAM

### Single-master system



### Intermix system



\* Shorting link must remain attached in single-master configuration.

## FUNCTIONS

Calling by pressing CALL and communication with Master station.  
With PRIV button depressed, LE-AN can not be heard by Master.

Power source	Supplied from Master station
Type of communication	Open voice handsfree communication (controlled by Master)
Call tone	Electronic Beep tone and voice (from Master). Electronic Beep tone only (to Master with a Sub call-in LED lit).
Mounting	Desk or wall-mount
Electrical box	Single-gang box
Housing	ABS plastic
Weight	Approx. 220g
Unit color	Snow white and gray, two-tone
Remarks	PRIV button prevents eavesdropping.

DESCRIPTION	FIG. NAME	UNIT	DATE
<b>SUB STATION</b>	PRODUCT/SPEC./WIRING/FCN.	mm	18 March, 2002
MODEL NO.	FIG.NO.	PAGE	REVISION
<b>LE-AN</b>	57125311-1-1	1/1	1

**AIPHONE**