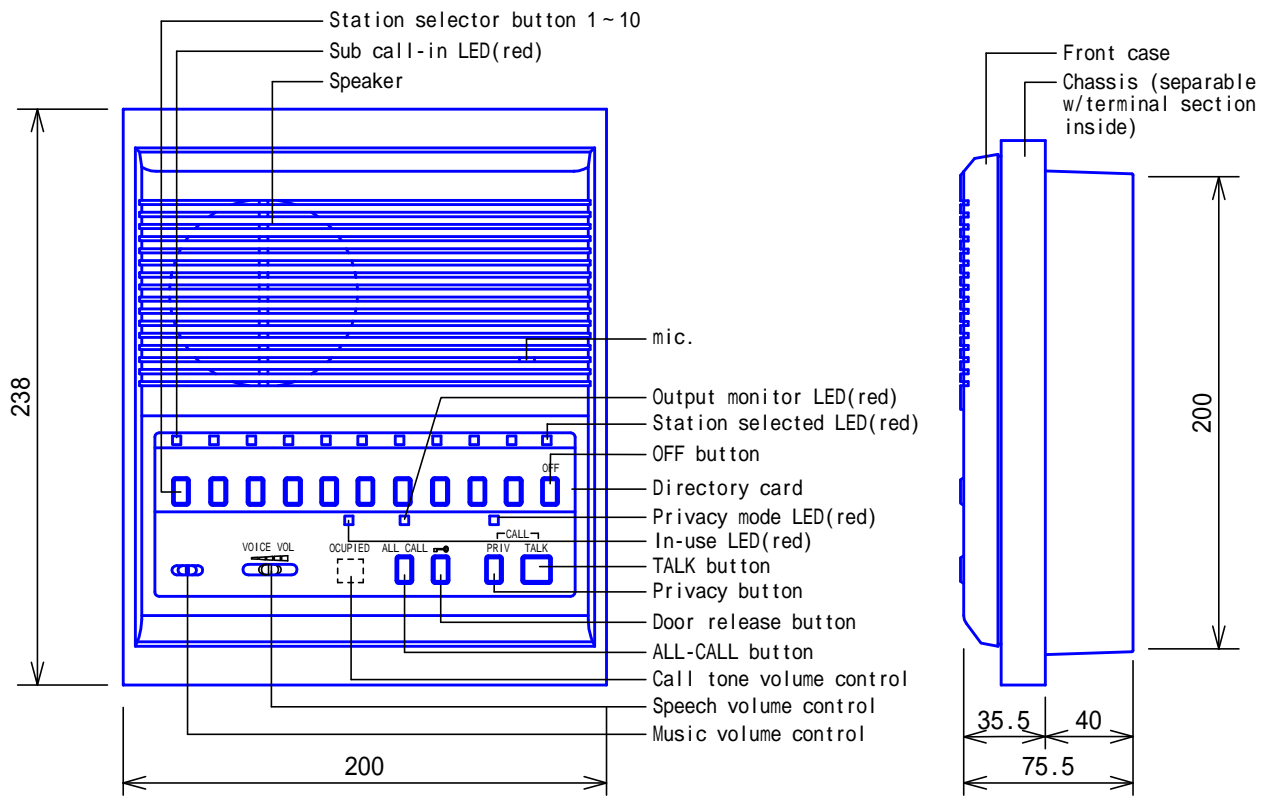
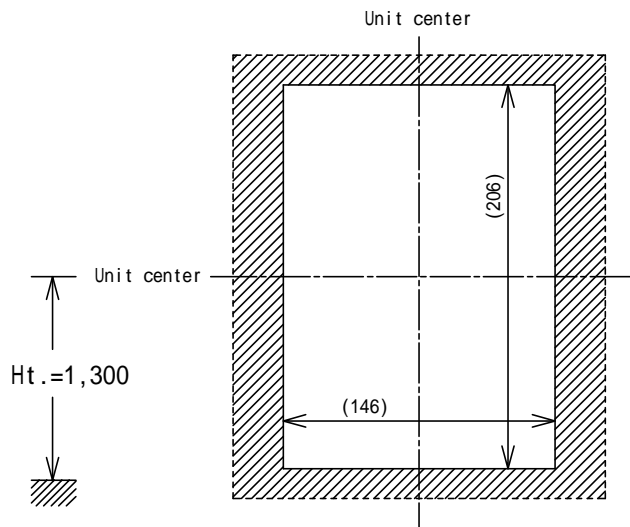


PRODUCT DRAWING



MOUNTING

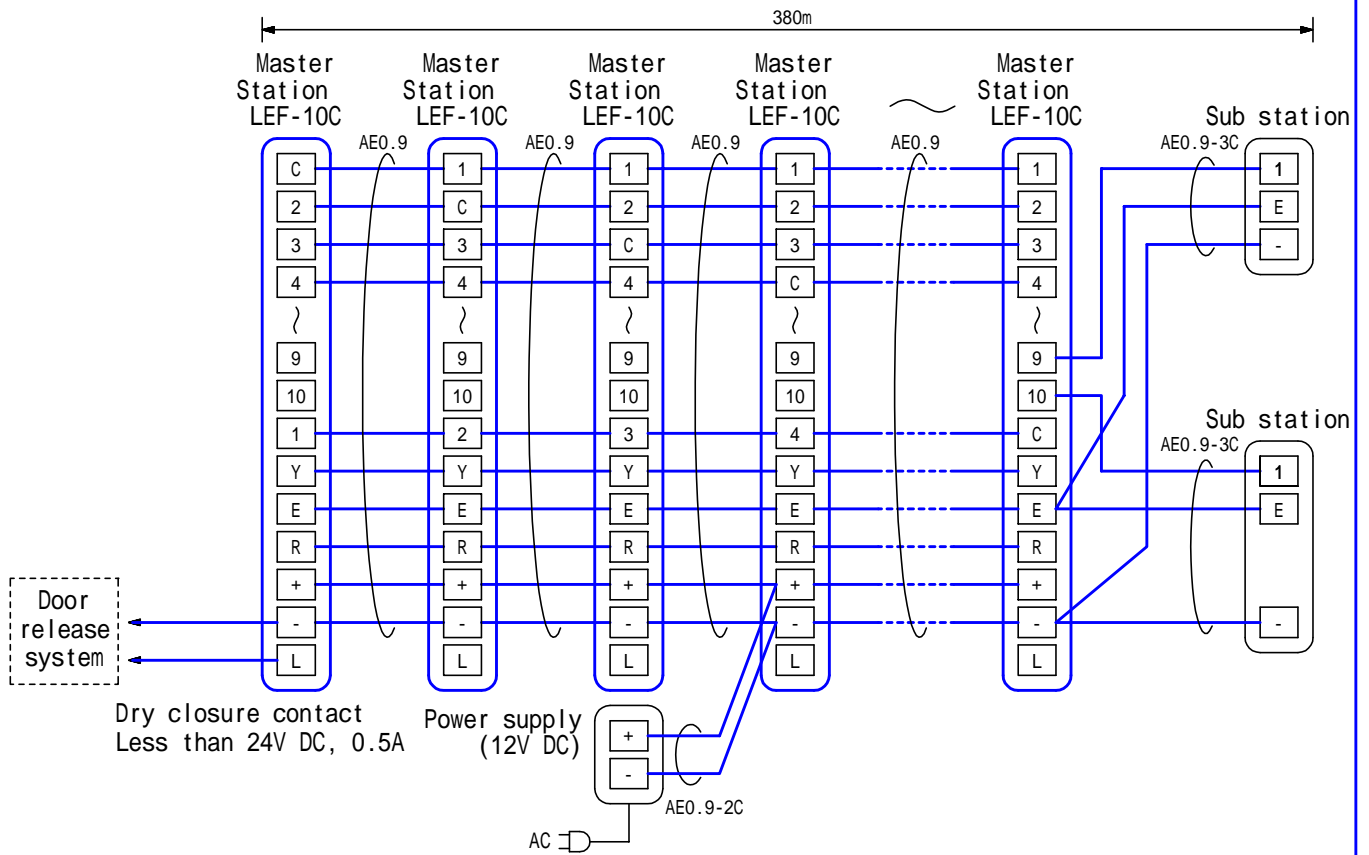


146(W) x 206(H): Opening for LEF-10C built-in chassis.
(to secure a space of 3mm on each side)

DESCRIPTION MASTER STATION(10-call, All-call)	FIG. NAME PRODUCT DRAWING	UNIT mm	DATE 21 October, 2004
MODEL NO. LEF-10C	FIG.NO. 11598301-1-3	PAGE 1/3	REVISION 1
			AIPHONE

WIRING DIAGRAM

Example: Intermix system



Wiring varies according to Master-and-Sub combination.

RESTRICTIONS

- In Single-master configuration, do not remove a shorting link between terminals [E] - [-] . (on both LEF-10C & Sub stations)
- In Intermix configuration, a Sub station can call up to two Master stations simultaneously.

DESCRIPTION MASTER STATION(10-call,All-call)	FIG. NAME WIRING/RESTRICTIONS	UNIT mm	DATE 21 October, 2004
MODEL NO. LEF-10C	FIG.NO. 11598301-2-3	PAGE 2/3	REVISION 1

AIPHONE

FUNCTIONS

Placing / receiving a call & communication with a Master station. Depress a selector button and press CALL button. Then, initiator presses TALK button to transmit, and releases to receive. (Station-selected LED & In-use LED are steadily lit.)
 The receiving station replies handsfree remotely.
 Placing / receiving a call & communication with a Sub station. Depress a selector button and press CALL button. Then, Master station controls communication w/TALK button. (Station-selected LED & In-use LED are steadily lit.)
 During communication, the sub's call-in LED stays lit to indicate.
 PRIV button, when in depressed position, prevents own station from being overheard by any other Master station (Privacy mode LED is lit.)
 Activating door strike at communicating door station by depressing DOOR RELEASE button.
 Putting the communication present to an end and standby, by depressing OFF button.
 When the external signaling device (buzzer, etc.) is installed, the Master station is called by buzzer, etc. as well as an ordinary call tone.
 Placing an All-call depressing ALL-CALL button. The output monitor LED turns on to indicate.

SETTING

Adjusting communication volume (sliding) with Speech volume control.
 Adjusting Music & All-call volume (sliding) with BGM volume control.
 Adjusting call tone volume (3-level) with Call tone volume (beneath directory card)

SPECIFICATIONS

Power source	DC 12V, supplied from a Power supply PS-1225S/UL		
Current consumption	300mA max.		
Output	800mW		
Type of communication	Open voice handsfree communication, controlled by initiating Master station		
Station capacity	Up to 10 Master or Sub stations		
Call tone	Master station: Electronic Beep tone & voice direct		
	Sub/door station: Electronic Beep tone only (with a call-in LED lit)		
Mounting	Semi-flush mount (Mounts on built-in chassis)		
Electrical box	Not used		
Housing	ABS plastic		
Weight	Approx. 750g		
Unit color	Snow white and gray, two-tone		
Remarks	Setting for privacy mode (mic. cutoff function on or release)		
DESCRIPTION MASTER STATION(10-call,All-call)	FIG. NAME SPECIFICATIONS/FCN./SETTING	UNIT mm	DATE 26 October, 2004
MODEL NO. LEF-10C	FIG.NO. 11598301-3-3	PAGE 3/3	REVISION 1

AIPHONE