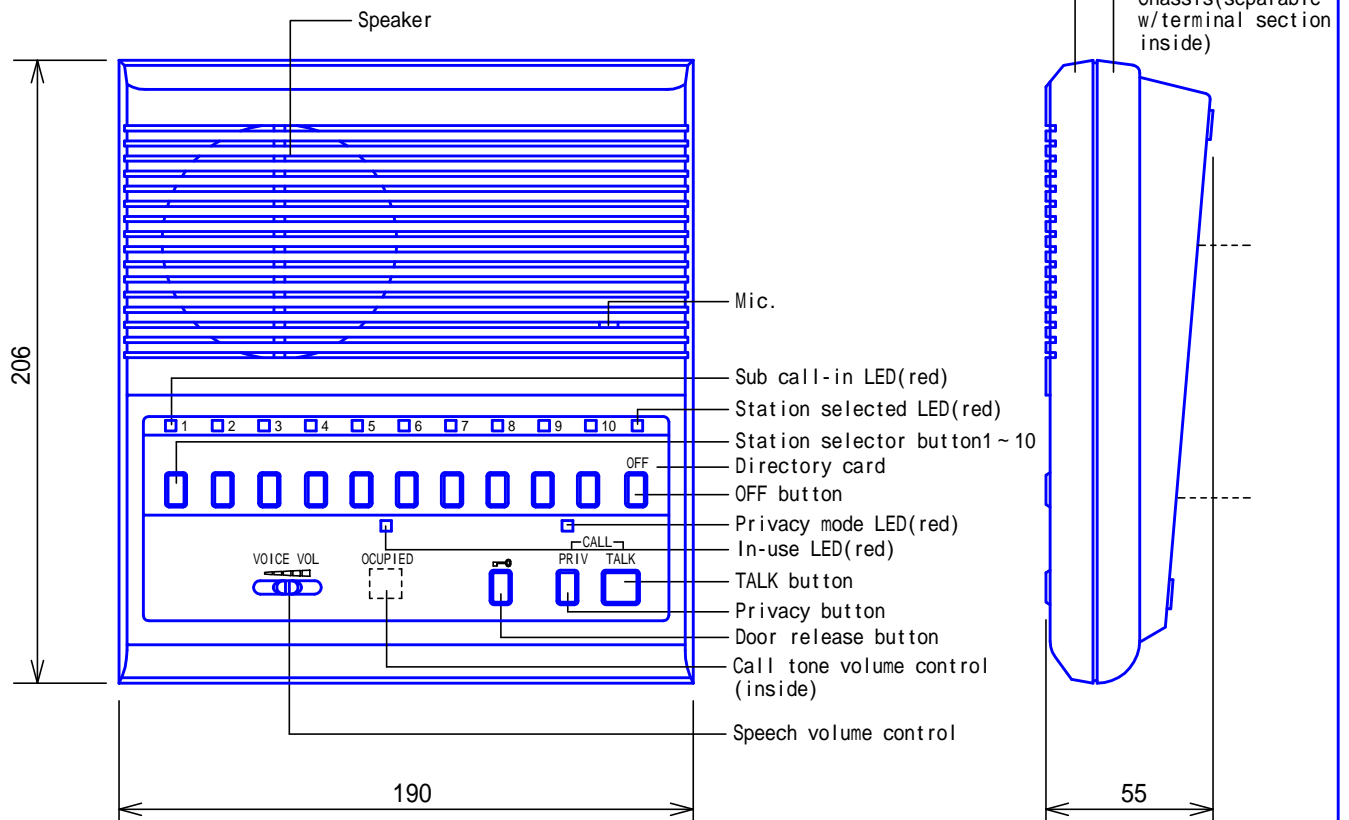
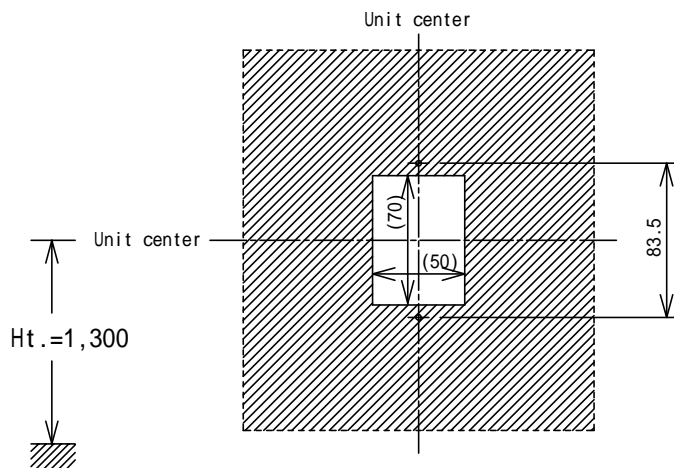


PRODUCT DRAWING



MOUNTING

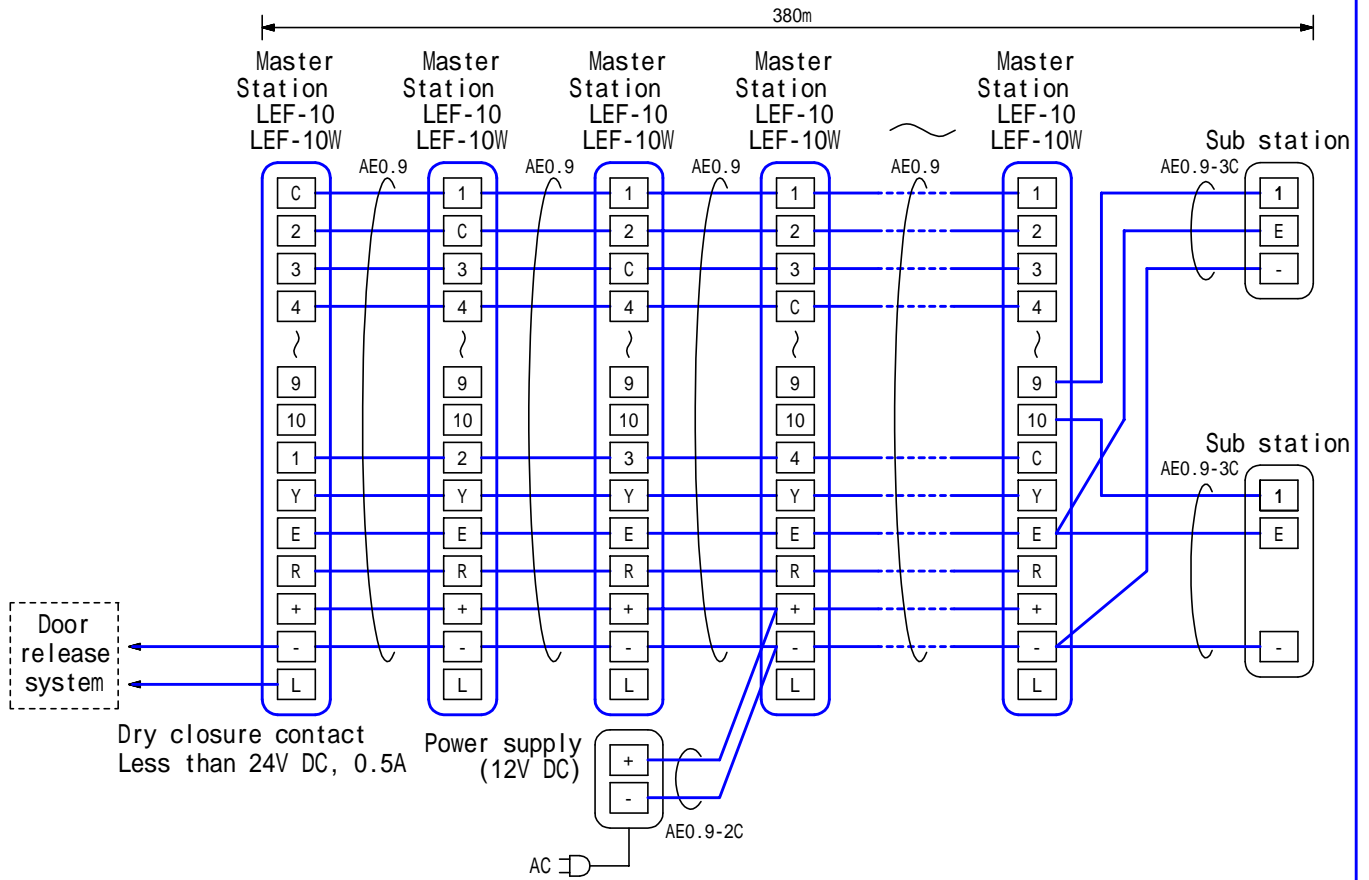


50(W) x 70(H): Opening cut out on the wall.

DESCRIPTION <b>MASTER STATION(10-call)</b>	FIG. NAME <b>PRODUCT DRAWING</b>	UNIT mm	DATE 3 February, 2003
MODEL NO. <b>LEF-10W</b>	FIG.NO. 11480301-1-4	PAGE 1/4	REVISION 2
			<b>AIPHONE</b>

# WIRING DIAGRAM

Example: Intermix system



Wiring varies according to Master-and-Sub combination.

## RESTRICTIONS

In Single-master configuration, do not remove a shorting link between terminals [E] - [-] .  
 In Intermix configuration, a Sub station can call up to two Master stations simultaneously.  
 LEF-10W shall not be used combinedly with PanTilt video system.  
 (K1 ~ K10 control terminals are not mounted)

DESCRIPTION <b>MASTER STATION(10-caII)</b>	FIG. NAME <b>WIRING/RESTRICTIONS</b>	UNIT mm	DATE 3 February, 2003
MODEL NO. <b>LEF-10W</b>	FIG.NO. 11480301-2-4	PAGE 2/4	REVISION 3 <b>AIPHONE</b>

## FUNCTIONS

Placing / receiving a call & communication with a Master station. Depress a selector button and press CALL button. Then, initiator presses TALK button to transmit, and releases to receive. (Station-selected LED & In-use LED are steadily lit.)

The receiving station replies handsfree remotely.

Placing / receiving a call & communication with a Sub station. Depress a selector button and press CALL button. Then, Master station controls communication w/TALK button. (Station-selected LED & In-use LED are steadily lit.)

During communication, the sub's call-in LED stays lit to indicate.

PRIV button, when in depressed position, prevents own station from being overheard by any other Master station (Privacy mode LED is lit.)

Activating door strike at communicating door station by depressing DOOR RELEASE button.

Putting the communication present to an end and standby, by depressing OFF button.

When the external signaling device (buzzer, etc.) is installed, the Master station is called by buzzer, etc. as well as an ordinary call tone.

## SETTING

Adjusting communication volume (sliding) ..... with Speech volume control.

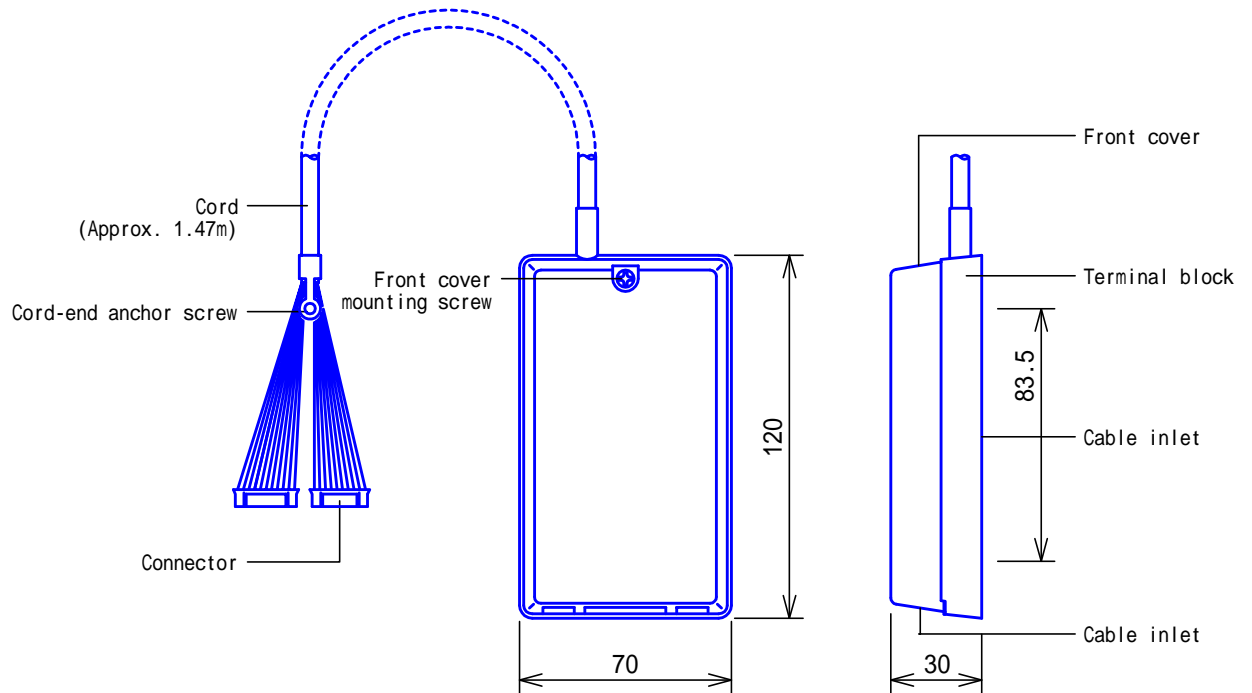
Adjusting Music & All-call volume (sliding) ..... with BGM volume control.

Adjusting call tone volume (3-level) ..... with Call tone volume (beneath directory card)

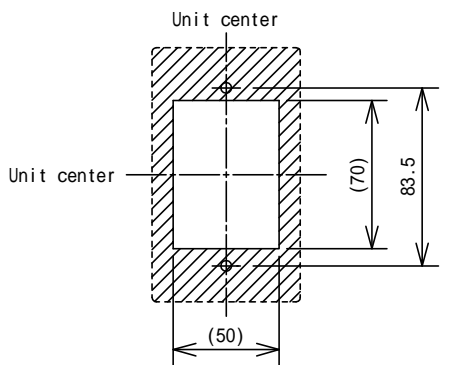
## SPECIFICATIONS

Power source	DC 12V, supplied from a Power supply		
Current consumption	300mA max.		
Output	800mW		
Type of communication	Open voice handsfree communication, controlled by initiator Master station		
Station capacity	Up to 10 Master or Sub stations		
Call tone	Master station: Electronic Beep tone & voice direct		
	Sub/door station: Electronic Beep tone only (with a call-in LED lit)		
Mounting	Desk or Wall-mount		
	Used terminal box for desk-top or wall use w/heavy cable run.		
Electrical box	Single-gang box		
Housing	ABS plastic		
Weight	Approx. 520g		
Unit color	Snow white and gray, two-tone		
Remarks	Setting for privacy mode (mic. cutoff function on or release)		
DESCRIPTION	FIG. NAME	UNIT	DATE
MASTER STATION(10-call)	SPEC./FCN./SETTING	mm	3 February, 2003
MODEL NO.	FIG.NO.	PAGE	REVISION
LEF-10W	11480301-3-4	3/4	3
			<b>AIPHONE</b>

## PRODUCT DRAWING

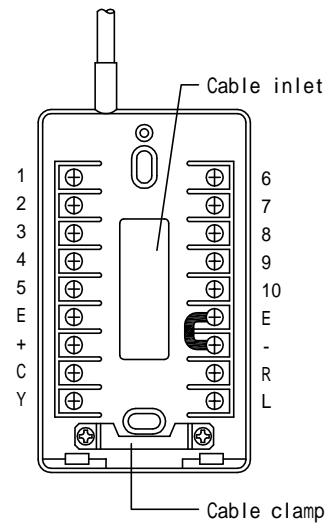


## MOUNTING



50(W) x 70(H): Opening cut out on the wall.

## Terminal block layout



## SPECIFICATIONS

Housing	ABS plastic		
Weight	Approx. 50g		
Color	Snow white		
DESCRIPTION <b>TERMINAL BOX</b>	FIG. NAME <b>PRODUCT/SPECIFICATIONS</b>	UNIT mm	DATE 9 July, 2002
MODEL NO. <b>LEF-10W</b>	FIG.NO. 11480301-4-4	PAGE 4/4	REVISION 1
			<b>AIPHONE</b>