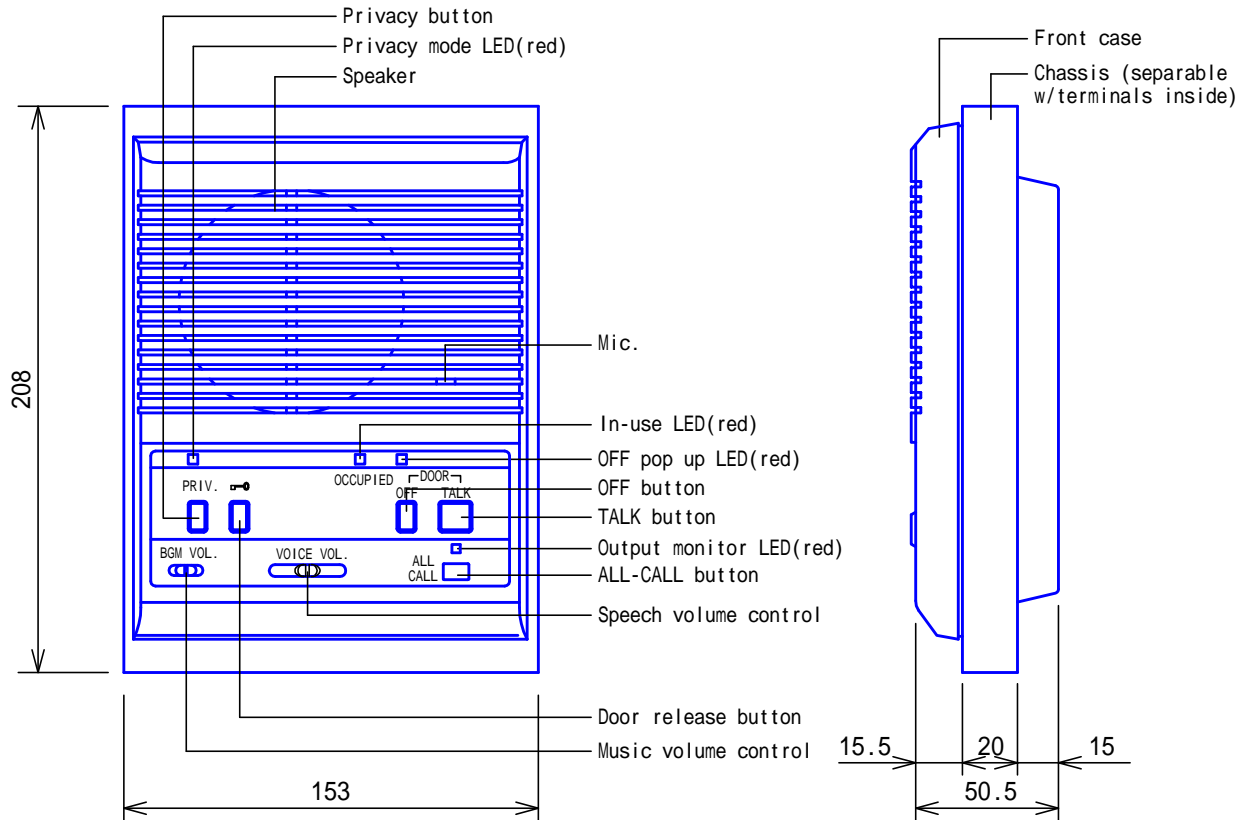
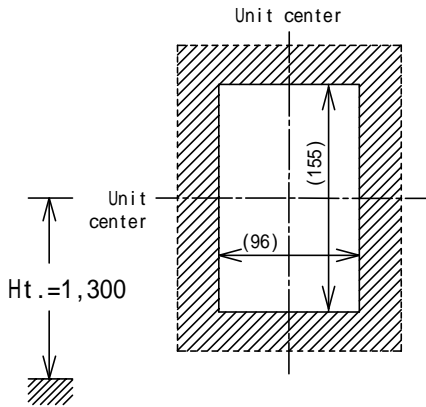


PRODUCT DRAWING



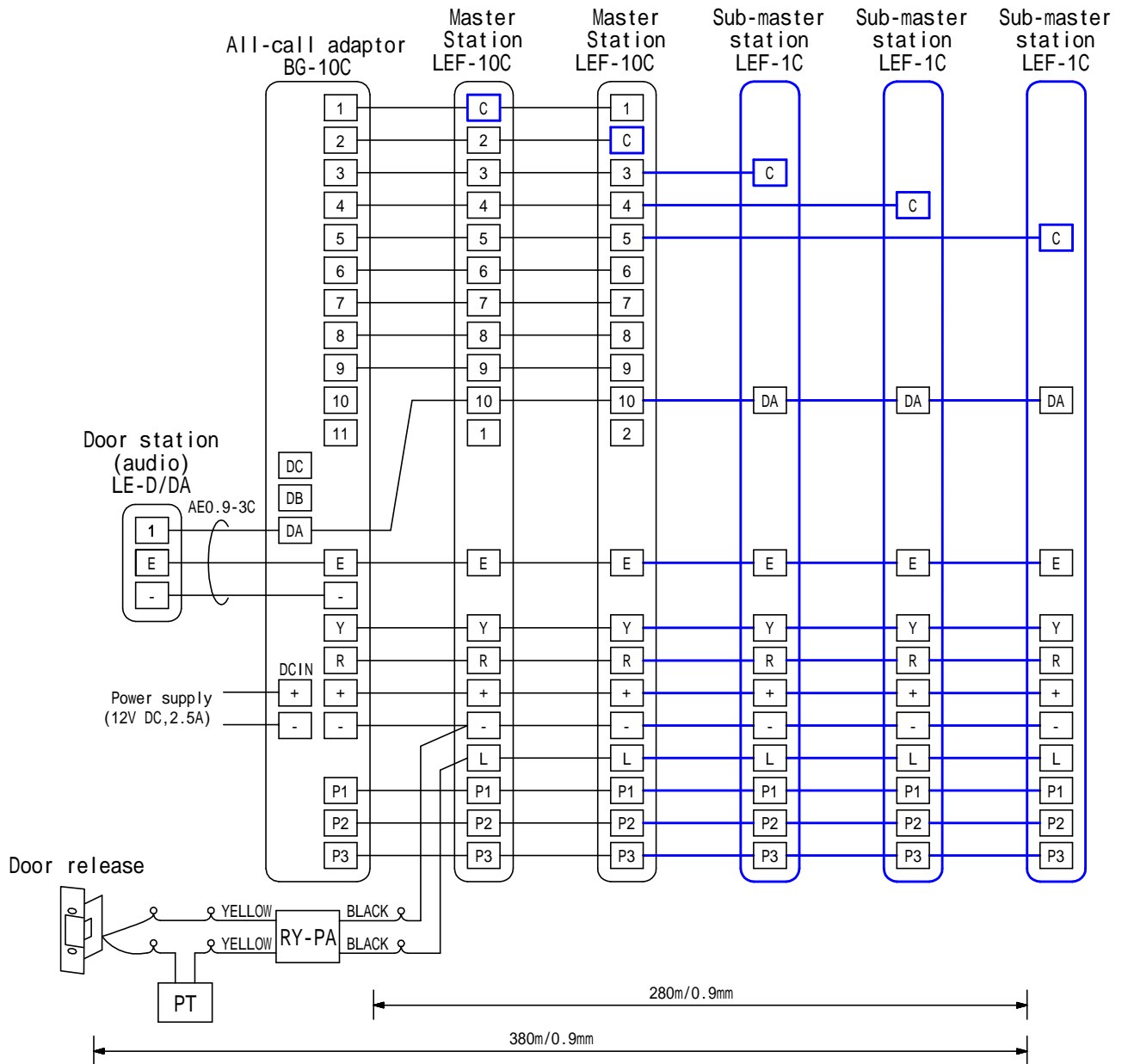
MOUNTING



96(W) x 155(H): Opening for LEF-1C built-in chassis.  
(to secure a space of 3mm on each side)

DESCRIPTION SUB-MASTER STATION(All-call,Door)	FIG. NAME PRODUCT DRAWING	UNIT mm	DATE 25 October, 2004
MODEL NO. LEF-1C	FIG.NO. 11651301-1-3	PAGE 1/3	REVISION 1
			<b>AIPHONE</b>

# WIRING DIAGRAM



DESCRIPTION SUB-MASTER STATION(All-call,Door)	FIG. NAME <b>WIRING DIAGRAM</b>	UNIT mm	DATE 26 October, 2004
MODEL NO. <b>LEF-1C</b>	FIG.NO. 11651301-2-3	PAGE 2/3	REVISION 1
<b>AIPHONE</b>			

## RESTRICTIONS

LEF-1C sub-master station shall be used for LEF-C & BG-10C system with All-Call feature built-in.  
LEF-1C shall be connected to only one door station.

## FUNCTIONS

Placing / receiving a call & communication with a Master station. Make All-Call, holding down ALL CALL switch. The output monitor LED turns on to indicate.  
Talk handsfree after the Master station replies.  
Answering a call from door station. Use TALK button to control communication.  
While answering door, hold down DOOR RELEASE button to activate door strike.  
Putting own station in Privacy mode with PRIV button in depressed position, to prevent eavesdropping by any other Master station. (Privacy mode LED is steadily lit.)  
Putting the communication in OFF and standby position, by depressing OFF button.

## SETTING

Adjusting communication volume (sliding) ..... with Speech volume control.  
Adjusting Music volume (sliding) ..... with BGM volume control.  
Adjusting call tone volume (3-level) ..... with Call tone volume control (beneath directory card).

## SPECIFICATIONS

Power source	DC 12V, supplied from LEF cable network		
Type of communication	Open voice handsfree communication (controlled by initiator Master station)		
Capacity	One door station (Use TALK button to answer door)		
All-Call	For usual communication, place an All-Call, depressing ALL CALL switch (not TALK). Communicate handsfree after the LEF Master station selects and answers.		
Mounting	Semi-flush mount (Mounts on the built-in chassis)		
Electrical box	Not used		
Housing	ABS plastic		
Weight	410g (approx.)		
Unit color	Snow white & gray, two-tone		
Remarks	Set or release Privacy mode (mic. cutoff is on or back to normal)		
DESCRIPTION SUB-MASTER STATION(All-call,Door)	FIG. NAME SPEC./RESTR./FCN./SETTING	UNIT mm	DATE 26 October, 2004
MODEL NO. <b>LEF-1C</b>	FIG.NO. 11651301-3-3	PAGE 3/3	REVISION 1

**AIPHONE**