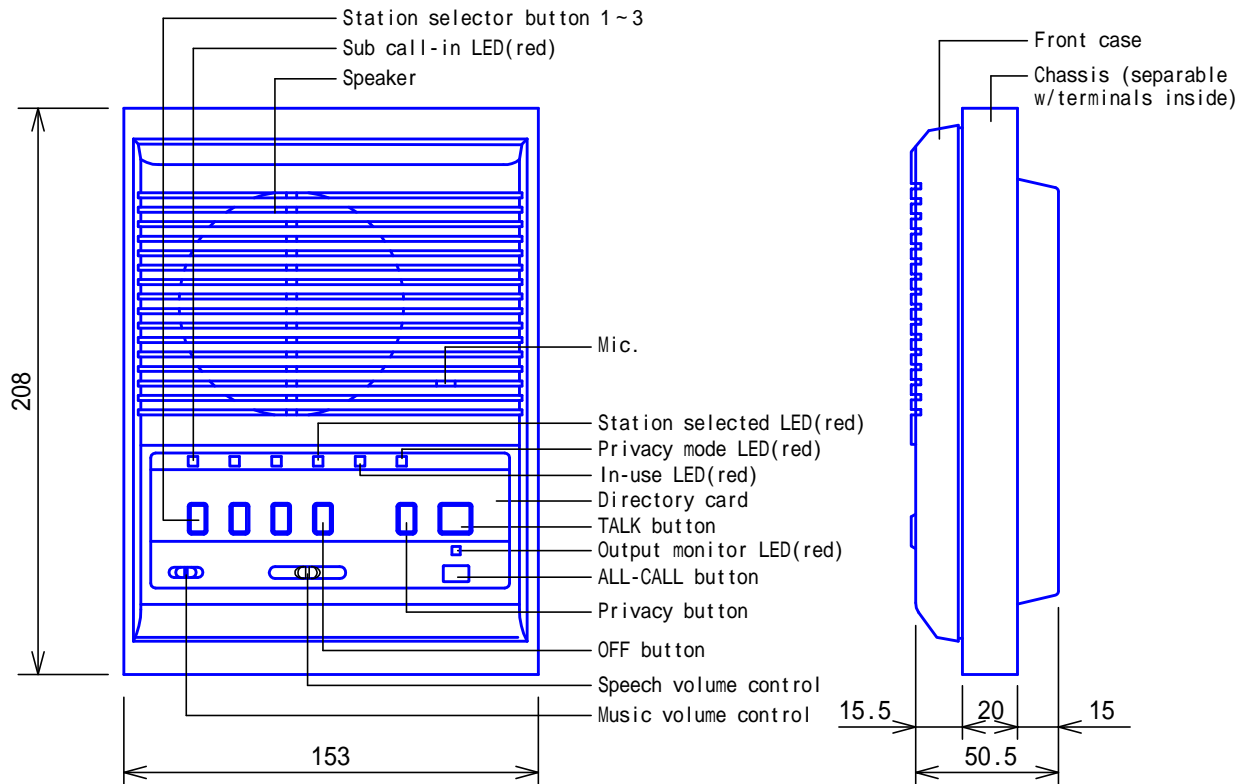
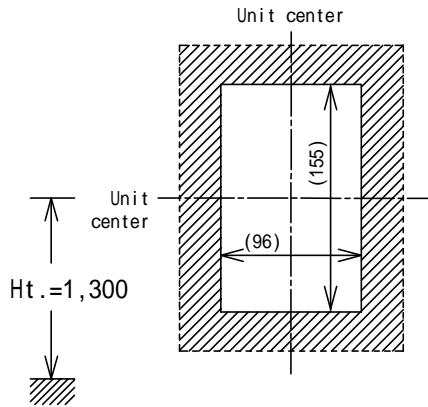


PRODUCT DRAWING



MOUNTING

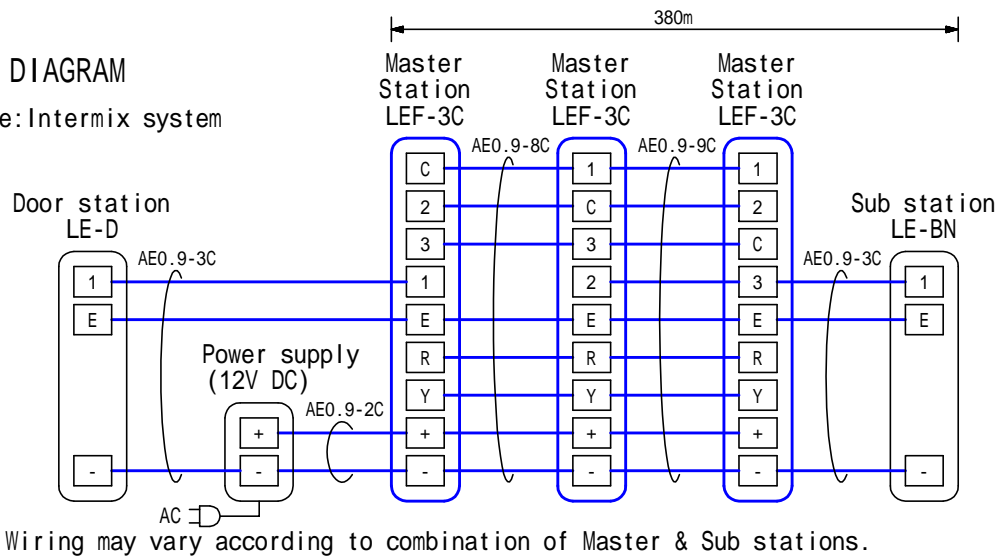


96(W) x 155(H): Opening for LEF-3C built-in chassis.  
(to secure a space of 3mm on each side)

DESCRIPTION MASTER STATION(3-call,All-call)	FIG. NAME PRODUCT DRAWING	UNIT mm	DATE 21 October, 2004
MODEL NO. LEF-3C	FIG.NO. 11576301-1-2	PAGE 1/2	REVISION 1
			<b>AIPHONE</b>

## WIRING DIAGRAM

Example: Intermix system



## RESTRICTIONS

In intermix configuration, remove a shorting link between [E] - [-] terminals on Sub station. (on both LEF-3C & Sub stations)  
For outside station, use LE-D or LE-DA weather-resistant sub station.

## FUNCTIONS

Initiating / receiving a call & communication with a Master station. Depress a selector button and press CALL button. Then, initiator presses TALK button to transmit, and releases to receive. (Station-selected LED & In-use LED are steadily lit.)

Initiating / receiving a call & communication with a Sub station. Depress a selector button and press CALL button. Then, Master station controls communication w/TALK button. (Station-selected LED & In-use LED are steadily lit.)

During communication, the sub's call-in LED stays lit to indicate.

Transmitting a message to all the other Master stations & Sub stations(LE-C/CN only), depressing ALL-CALL button.

Putting own station in Privacy mode with PRIV button in depressed position, to prevent eavesdropping by any other Master station. (Privacy mode LED is steadily lit.)

Putting the communication in OFF and standby position, by depressing OFF button.

When the external signaling device (buzzer, etc.) is installed, the Master station is called by buzzer, etc. as well as an ordinary call tone.

Placing an All-call depressing ALL-CALL button. The output monitor LED turns on to indicate.

## SETTING

Adjusting communication volume (sliding) ..... with Speech volume control.  
Adjusting Music & All-call volume (sliding)..... with BGM volume control.  
Adjusting call tone volume (3-level)...with Call tone volume control (beneath directory card)

## SPECIFICATIONS

Power source	DC 12V, supplied from an Aiphone's Power supply PS-1225S/UL		
Current consumption	300mA max.		
Output	800mW		
Type of communication	Open voice handsfree communication controlled by initiator Master station		
Capacity	Up to 3 Master or sub stations		
Call tone	Master station: Electronic Beep tone & voice direct(to other Master or Sub) Sub/door station: Electronic Beep tone only (with a Sub call-in LED lit)		
Mounting	Semi-flush mount (Mounts on built-in chassis.)		
Electrical box	Not used		
Housing	ABS plastic		
Weight	Approx. 450g		
Unit color	Snow white & gray, two-tone		
DESCRIPTION MASTER STATION(3-call,All-call)	FIG. NAME SPEC./WIRING/RESTR./FCN./SETTING	UNIT mm	DATE 26 October, 2004
MODEL NO. <b>LEF-3C</b>	FIG.NO. 11576301-2-2	PAGE 2/2	REVISION 1 <b>AIPHONE</b>