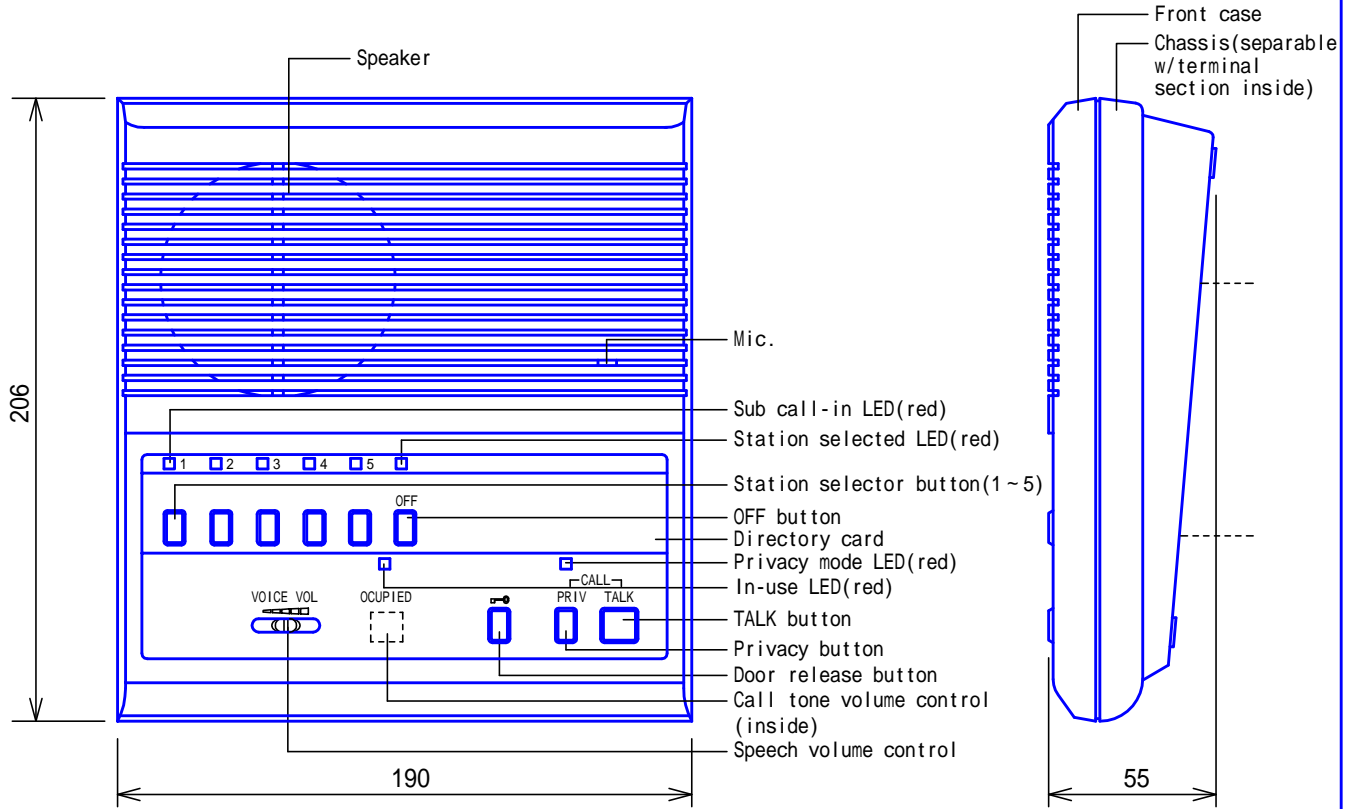
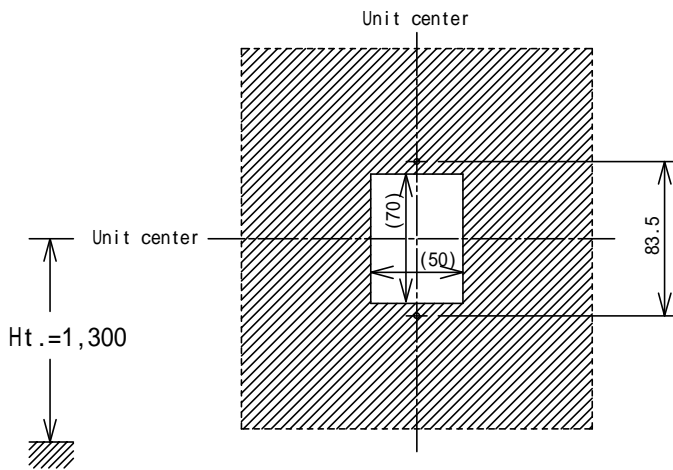


# PRODUCT DRAWING



# MOUNTING

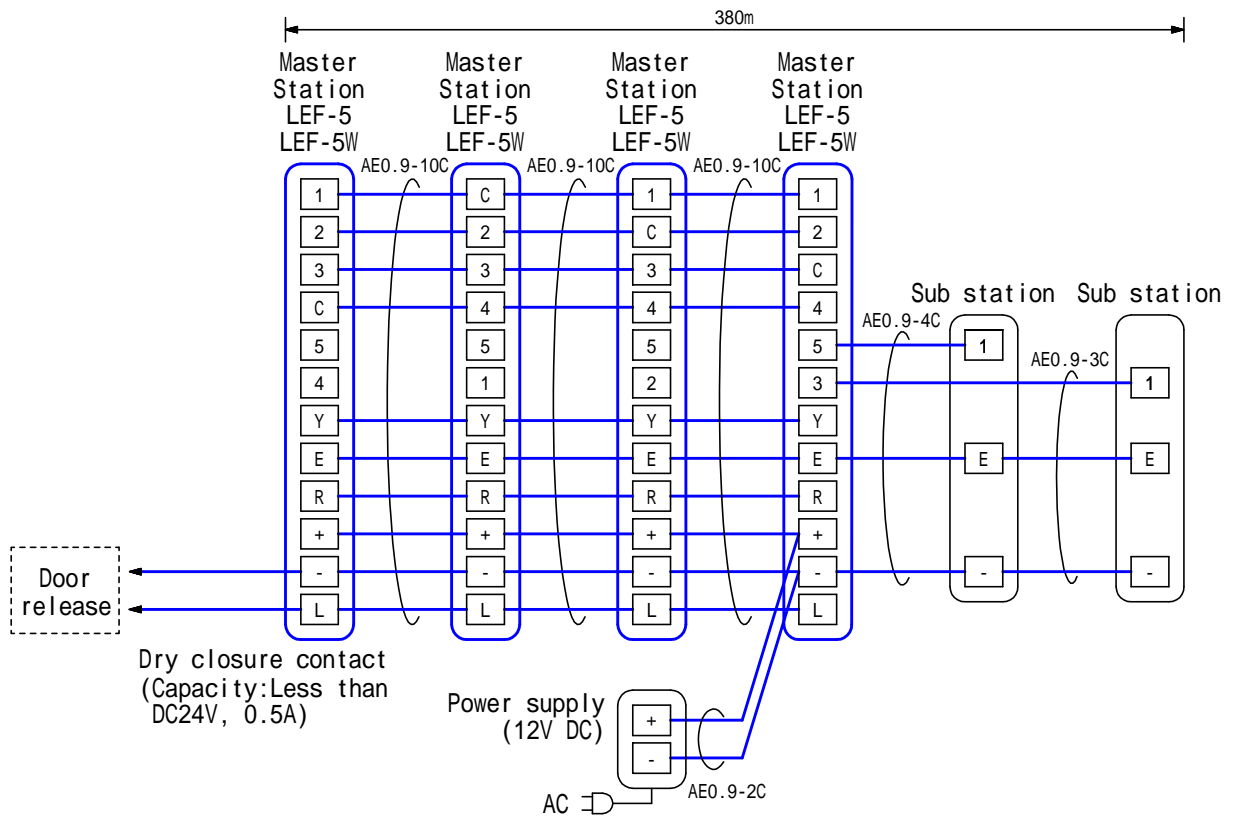


50(W) x 70(H): Opening cut out on the wall.

DESCRIPTION <b>MASTER STATION(5-call)</b>	FIG. NAME <b>PRODUCT DRAWING</b>	UNIT mm	DATE 3 February, 2003
MODEL NO. <b>LEF-5W</b>	FIG.NO. 11457301-1-4	PAGE 1/4	REVISION 2
			<b>AIPHONE</b>

# WIRING DIAGRAM

Example: Intermix system



Wiring may vary according to combination of Master & Sub stations.

## RESTRICTIONS

In single-master configuration, do not remove a shorting link between terminals **E** - **-** .  
 In Intermix configuration, sub station is considered to ring up to two Master station.  
 LEF-5W shall not be used combinedly with PanTilt video system.  
 (K1~K5 control terminals are not mounted)

DESCRIPTION <b>MASTER STATION(5-call)</b>	FIG. NAME <b>WIRING/RESTRICTIONS</b>	UNIT mm	DATE 3 February, 2003
MODEL NO. <b>LEF-5W</b>	FIG.NO. 11457301-2-4	PAGE 2/4	REVISION 3
			<b>AIPHONE</b>

## FUNCTIONS

Placing / receiving a call & communication with a Master station. Depress a selector button and press CALL button. Then, initiator presses TALK button to transmit, and releases to receive. (Station-selected LED & In-use LED are steadily lit.)

The receiving station replies handsfree remotely.

Placing / receiving a call & communication with a Sub station. Depress a selector button and press CALL button. Then, Master station controls communication w/TALK button. (Station-selected LED & In-use LED are steadily lit.)

During communication, the sub's call-in LED stays lit to indicate.

Putting own station in Privacy mode with PRIV button in depressed position, to prevent eavesdropping by any other Master station. (Privacy mode LED is steadily lit.)

Activating door strike at communicating door station by depressing DOOR RELEASE button.

Putting the communication in OFF and standby position, by depressing OFF button.

When the external signaling device (buzzer, etc.) is installed, the Master station is called by buzzer, etc. as well as an ordinary call tone.

## SETTING

Adjusting communication volume (sliding) ..... with Speech volume control.

Adjusting Music & All-call volume (sliding)..... with BGM volume control.

Adjusting call tone volume (3-level)

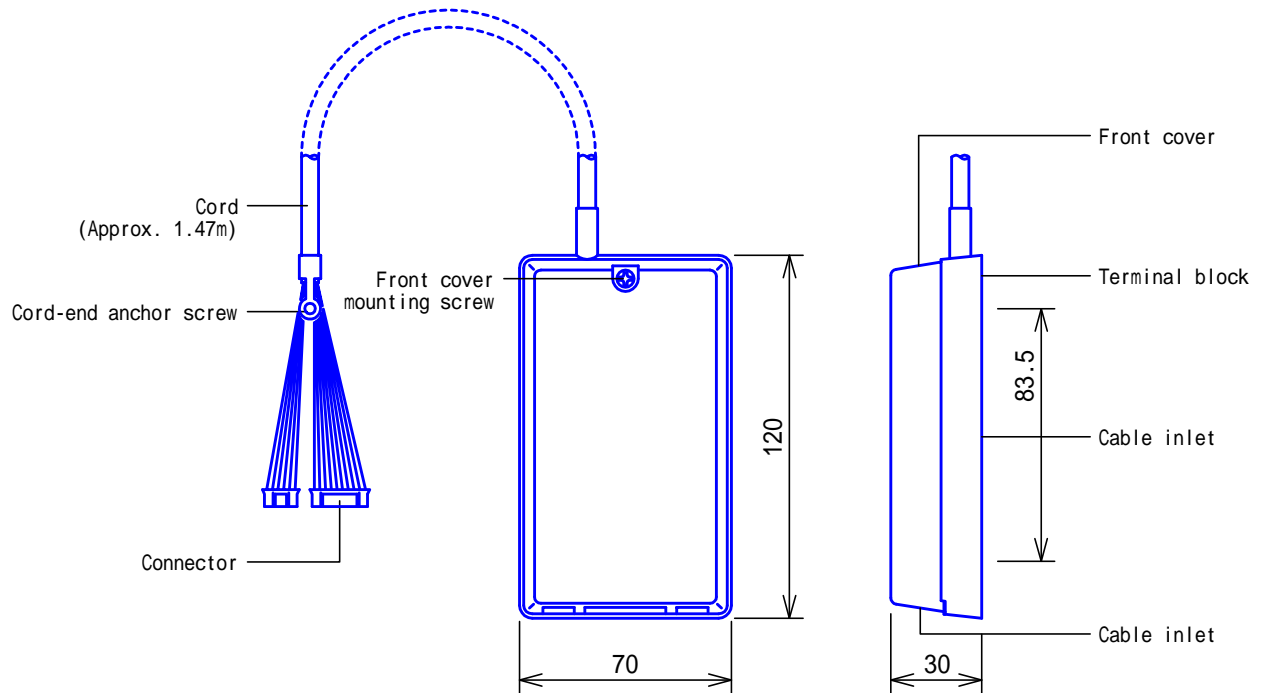
..... with Call tone volume control (beneath directory card)

## SPECIFICATIONS

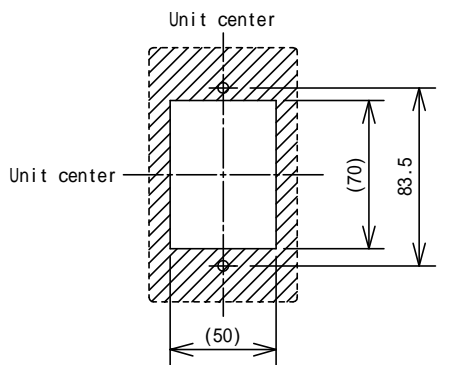
Power source	DC 12V, supplied from an Aiphone's Power supply		
Current consumption	300mA max.		
Output	800mW		
Type of communication	Open voice handsfree communication controlled by initiator Master station		
Capacity	Up to 5 Master or sub stations		
Call tone	Master station: Electronic Beep tone & voice direct		
	Sub/door station: Electronic Beep tone only (with a sub call-in LED lit)		
Mounting	Desk or Wall-mount		
	Used terminal box for desk-top or wall use w/heavy cable run.		
Electrical box	Single-gang box		
Housing	ABS plastic		
Weight	Approx. 500g		
Unit color	Snow white & gray, two-tone		
Remarks	Set or release Privacy mode (mic. cutoff is on or back to normal.)		
DESCRIPTION	FIG. NAME	UNIT	DATE
MASTER STATION(5-call)	SPEC. /FCN. /SETTING	mm	3 February, 2003
MODEL NO.	FIG.NO.	PAGE	REVISION
LEF-5W	11457301-3-4	3/4	3

**AIPHONE**

## PRODUCT DRAWING

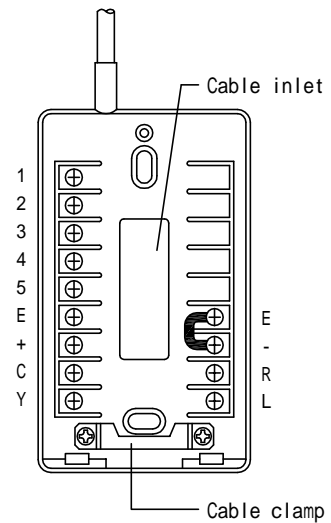


## MOUNTING



50(W) x 70(H): Opening cut out on the wall.

## Terminal block layout



## SPECIFICATIONS

Housing	ABS plastic		
Weight	Approx. 50g		
Unit color	Snow white		
DESCRIPTION <b>TERMINAL BOX</b>	FIG. NAME <b>PRODUCT/SPECIFICATIONS</b>	UNIT mm	DATE 9 July, 2002
MODEL NO. <b>LEF-5W</b>	FIG.NO. 11457301-4-4	PAGE 4/4	REVISION 1

**AIPHONE**