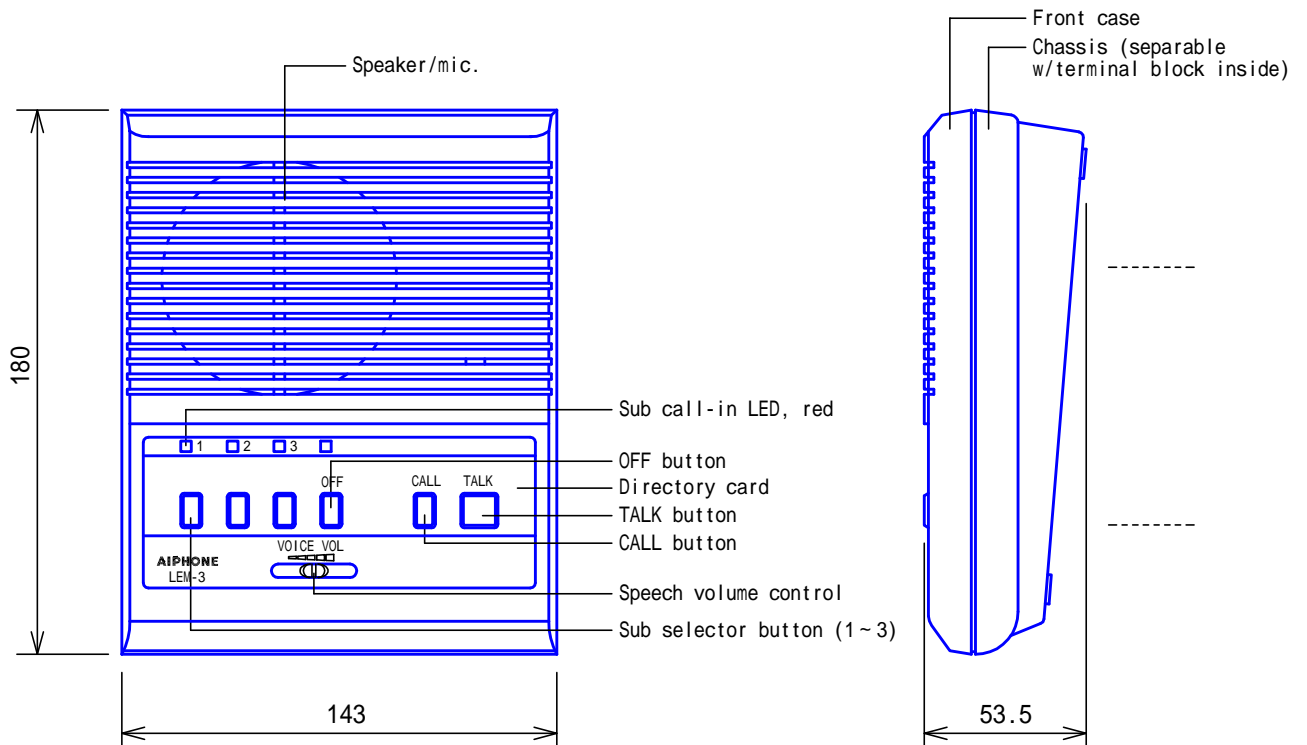
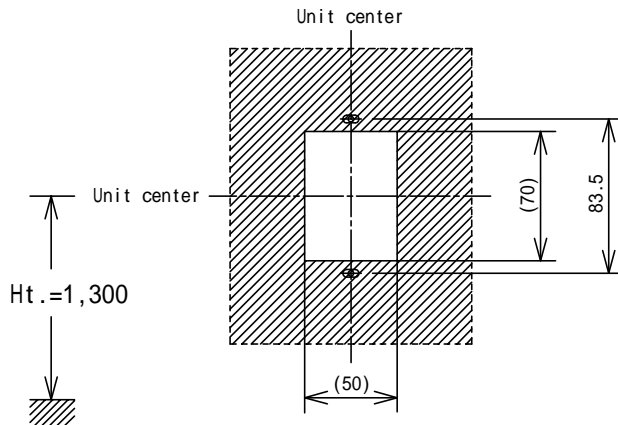


PRODUCT DRAWING



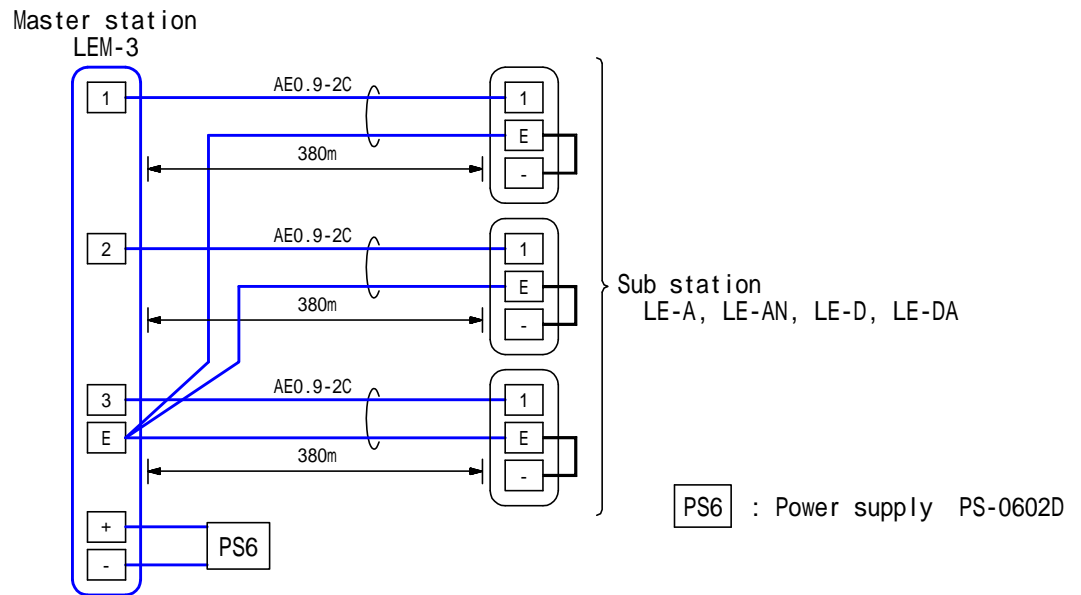
MOUNTING



Cable inlet opening; As provided for single-gang mounting

DESCRIPTION MASTER STATION(3-call)	FIG. NAME PRODUCT DRAWING	UNIT mm	DATE 20 June, 2003
MODEL NO. LEM-3	FIG.NO. 11639301-1-2	PAGE 1/2	REVISION 3
			AIPHONE

WIRING DIAGRAM



RESTRICTIONS

LEM-3 system shall be configured connecting with LE Series Sub stations only.
 LEM-3 is not designed for being powered by Batteries or from AC mains.
 Shorting link between E and - shall not be removed on the Sub stations.

FUNCTIONS

Calling and communication between a Sub station.
 Depress a Sub selector button and effect Press-to-talk, Release-to-listen communication.
 Only when called from a Sub, Sub call-in LED is lit for approx. 20 sec.
 Placing the communication on hold by pressing OFF button (or puts in standby).

SETTING

Adjust communication volume (sliding) with VOICE VOL. control

SPECIFICATIONS

Power source	6V DC. Use a Power supply PS-0602D.
Current consumption	200mA(max.)
Output	350mW.
Type of communication	Open voice press-to-talk communication.
Call tone	To Sub; Mono tone and direct voice.
	From Sub; Mono tone with an LED lit.
Sub station capacity	3 Sub stations.
Mounting	Desk-top use or wall mount.
Electrical box	Single-gang box
Housing	Plastic
Unit color	White & gray, 2-tone.
Weight	400g(approx.)
Remarks	Configures Master-selective system for up to 3 Subs.

DESCRIPTION	FIG. NAME	UNIT	DATE
MASTER STATION(3-call)	SPEC./WIRING/RESTR./FCN./SETTING	mm	20 June, 2003
MODEL NO.	FIG.NO.	PAGE	REVISION
LEM-3	11639301-2-2	2/2	3

AIPHONE