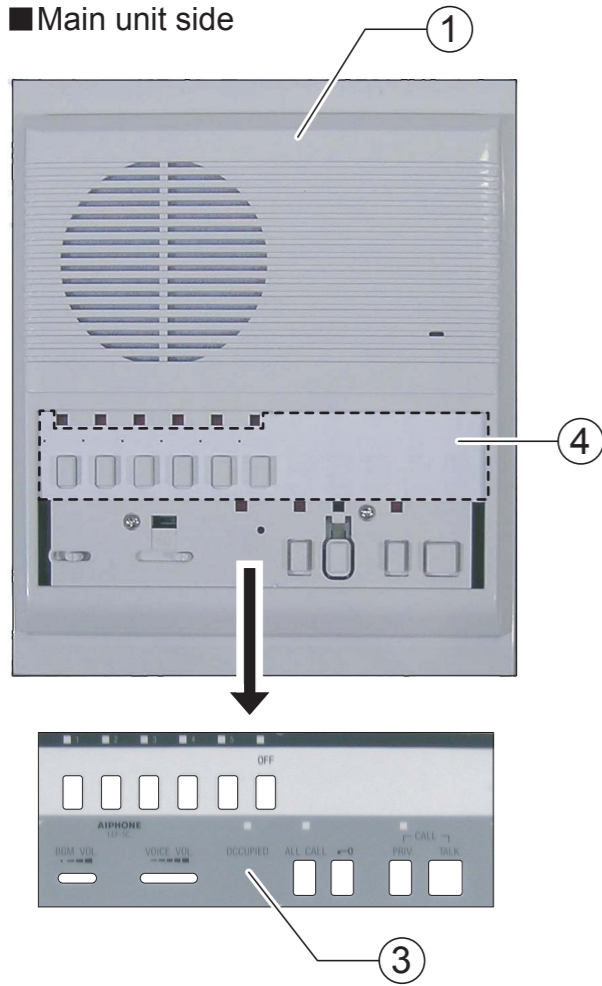


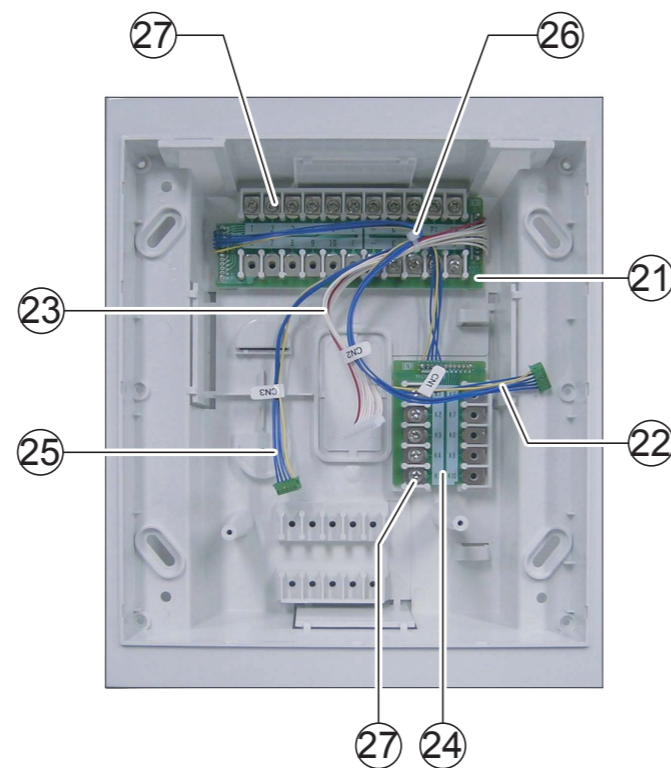
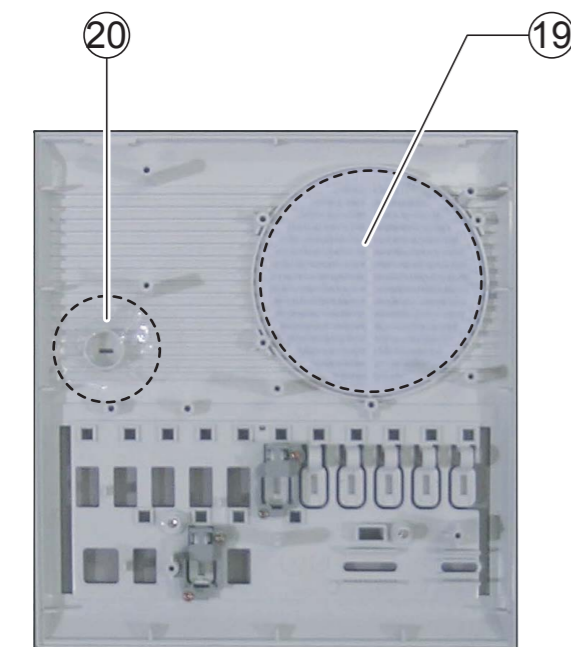
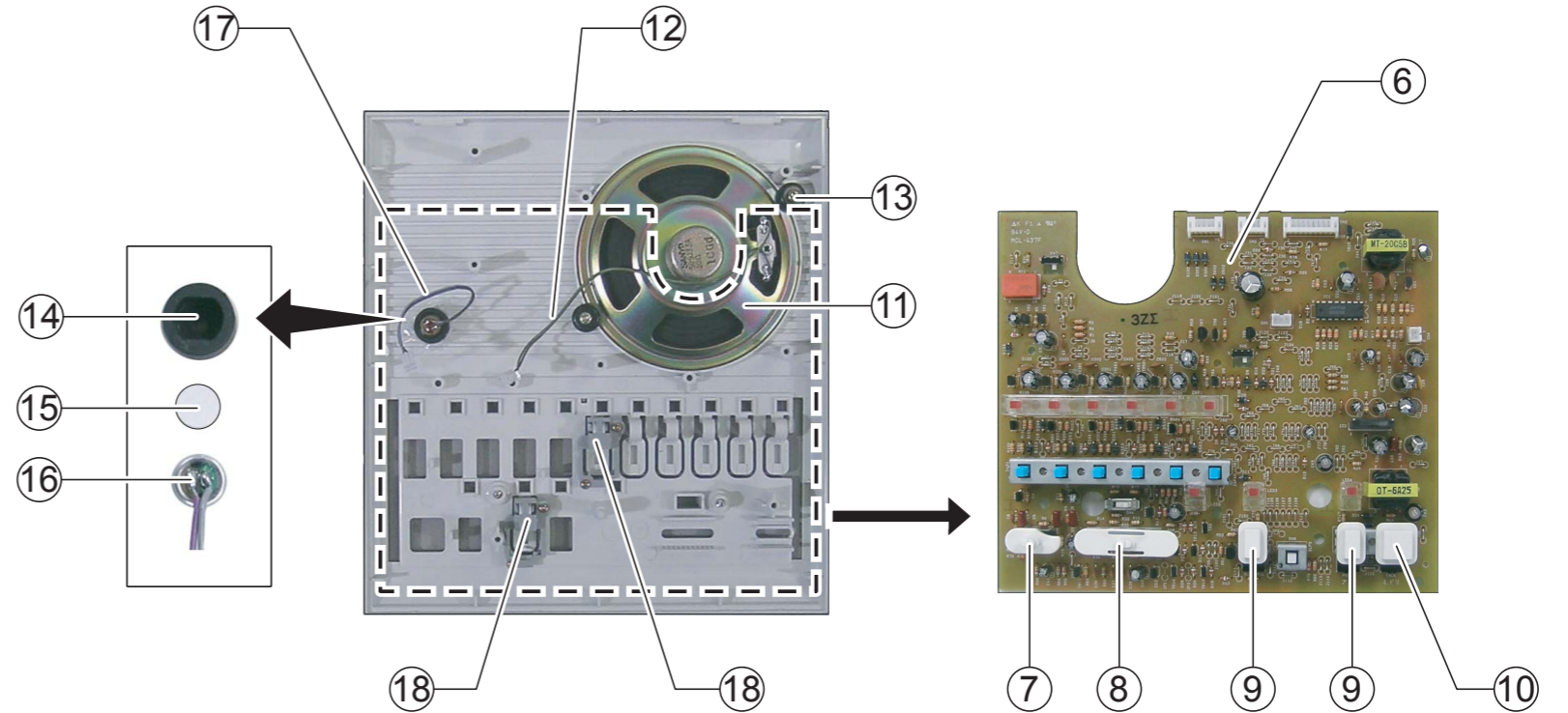
LEF-5C

Assembly layout and Parts list

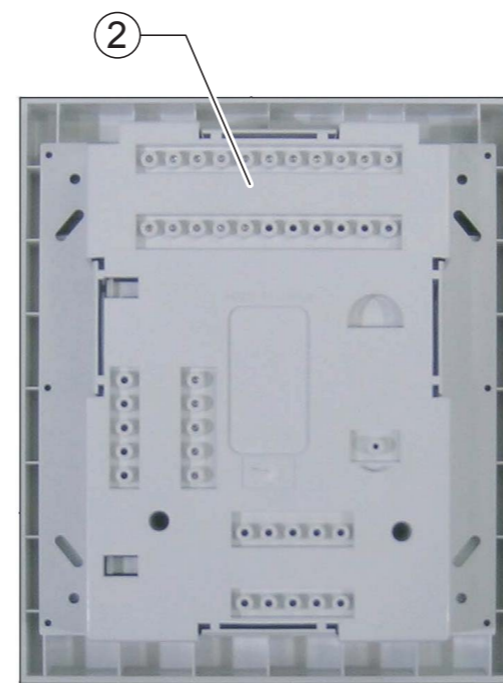
Main unit side



Main unit front



Main unit rear



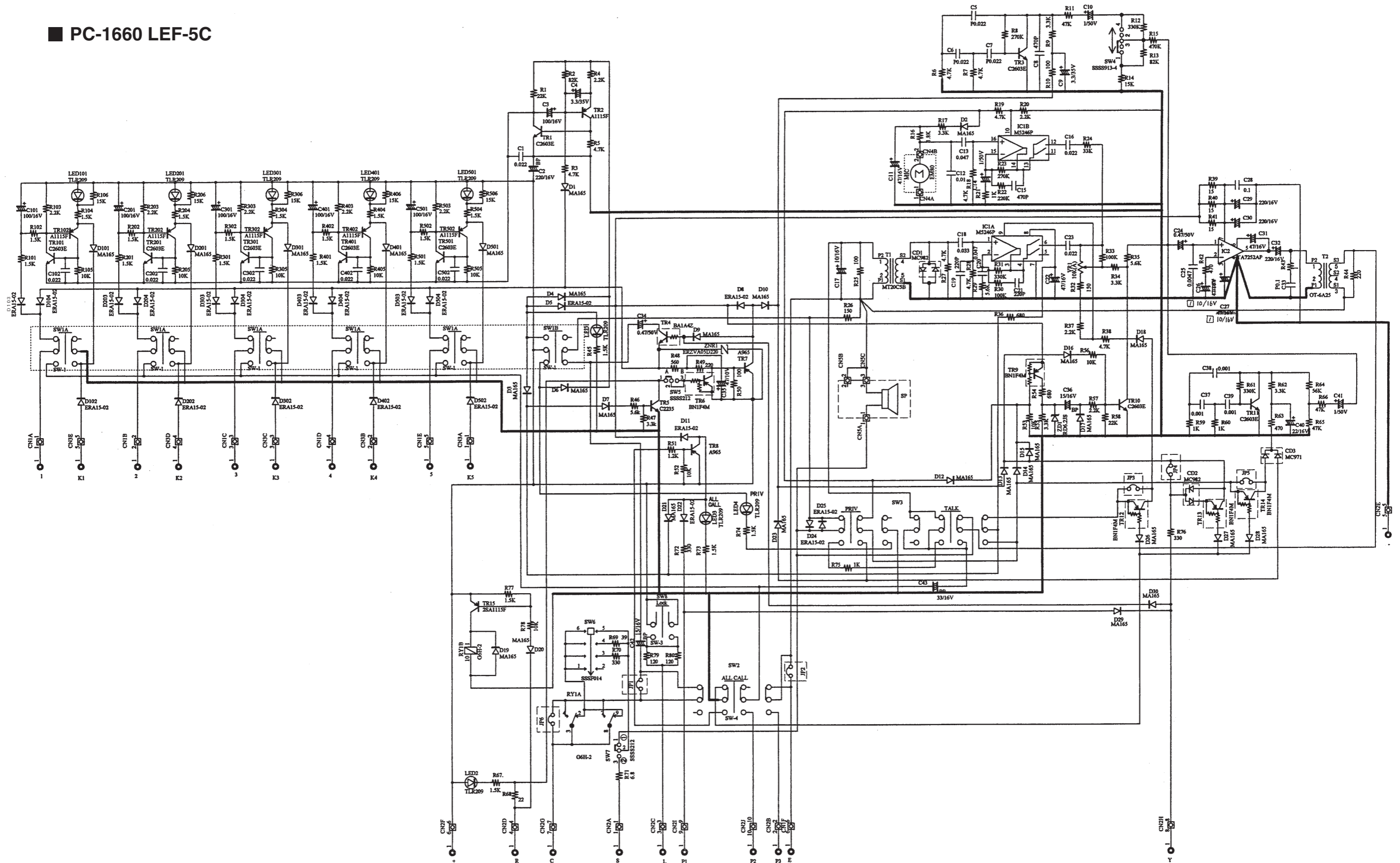
LEM-5C PARTS LIST

NO.	CODE	PARTS	QUANTITY
1	25065800	LEF-10 case	1
2	25114700	LEF-10B chassis	1
3	13774800	LEF-5C operation plate	1
4	20808200	LEF-5 register card	1
5	21435100	LEF-5C insulated board	1
6	92266300	PC-1287 LEF-5C	1
7	26062200	LEF-BGM knob	1
8	23566000	LEF VR knob	1
9	23570300	LEF-PRIV button	2
10	23571600	LEF-TALK button	1
11	00056300	S09J33ASP(aruniko)	1
12	46449100	H02/03-PH150 *	1
13	23358100	LEF SP flange	2
14	23329100	IDDA mic cap	1
15	20118400	ECM damper	1
16	00058900	KUC2623-010040	1
17	46448800	H02/02-PH80 *	1
18	26527800	LEF button stopper	2
19	20810900	LEF SP net	1
20	20162100	IA-NA mic poly	1
21	24057000	PC-1289	1
22	46451800	6/250 KR-DS	1
23	46452100	10/150 KR-DS26	1
24	24057000	PC-12810	1
25	46450500	05/200 KR-DS	1
26	21262100	convex T-18S	1
27	10060700	T terminal screw	21

LEF-5C

Circuit diagram

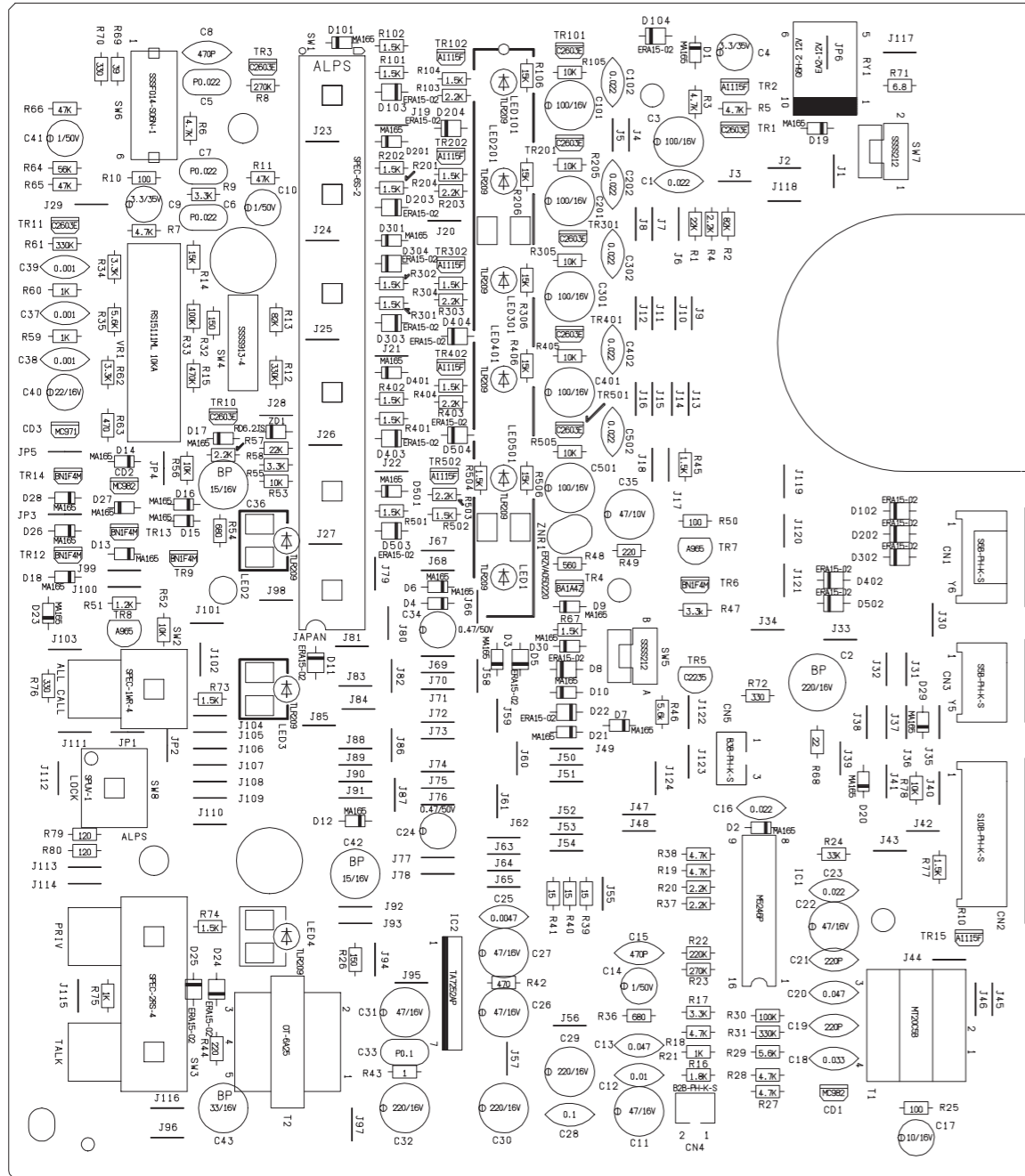
PC-1660 LEF-5C



LEF-5C

PCB assembly layout

Part mounted side (PC-1660 LEF-5C)



LEF-5C

Parts list

PC-1660 LEF-5C

CODE	PARTS	QTY.
01007400	SPUV-1	1
01082700	SSSS212 side knob	2
01211100	B2B-PH-K-S	1
01318900	SPEC-1WR-4	1
01319200	SPEC-2RS-4	1
01320600	SPEC-6S-2	1
01321900	SSSS913-4	1
01322200	RS15111ML 10KA	1
01329300	SSSF014-S06N-0	1
04031800	TA7252AP	1
04045100	TLR-209	9
04297600	M5246P	1
04384300	S5B-PH-K-S	1
04386900	S6B-PH-K-S	1
04387200	S10B-PH-K-S	1
06002400	SRA 10VBS 47	1
06008200	SRA 16VBS 10	3
06009500	SRA 16VBS 22	1
06011200	SRA 16VBS 47	3
06017000	SRA 35VBS 3.3	2
06024200	SRA 50VBS 0.47	2
06025500	SRA 50VBS 1	3
06087700	SRA16VB100M(6.3)	6
06110600	DD406SR333K25 *	1
06111900	DD407SR473K25 *	2
06112200	ECFR1E104ZF5	1
06113500	DD104B 471K50*	2
06149600	DD404-298SR102K *	3
06197500	DD405298SR223K *	8
06219000	ERZVA05D220	1
06222000	ECQV1H104JL2	1
06239200	ECQB1H223JF3	3
06389400	DD404298SR472K2*	1
06400600	RDS2 1/4 1	1
06413600	RDS2 1/4 15	3
06415200	RDS2 1/4 22	1
06418100	RDS2 1/4 39	1
06424000	RDS2 1/4 100	3
06425300	RDS2 1/4 120	2
06426600	RDS2 1/4 150	2
06428200	RDS2 1/4 220	2
06430900	RDS2 1/4 330	3
06432500	RDS2 1/4 470	2
06433800	RDS2 1/4 560	1
06435400	RDS2 1/4 680	2
06437000	RDS2 1/4 1K	4
06438300	RDS2 1/4 1.2K	1
06439600	RDS2 1/4 1.5K	20
06440000	RDS21/4 1.8K	1
06442600	RDS2 1/4 2.2K	9
06444200	RDS2 1/4 3.3K	6
06446800	RDS2 1/4 4.7K	9

CODE	PARTS	QTY.
06448400	RDS2 1/4 5.6K	3
06452700	RDS2 1/4 10K	9
06454300	RDS2 1/4 15K	6
06457200	RDS2 1/4 22K	2
06459800	RDS2 1/4 33K	1
06461500	RDS2 1/4 47K	3
06463100	RDS2 1/4 56K	1
06465700	RDS2 1/4 82K	2
06466000	RDS2 1/4 100K	2
06471600	RDS2 1/4 220K	1
06472900	RDS2 1/4 270K	2
06473200	RDS2 1/4 330K	3
06475800	RDS2 1/4 470K	1
06505800	T.JLT265 jumper	124
06602600	2SC 2235Y	1
06603900	2SA 965Y	2
06609700	MA165(TA5)	29
06620200	RD6.2JS B2B3	1
06653400	SRE 16VBS 15BP	2
06655000	ERA15-02AVRB	21
06656300	DD104B221K50*	2
06662200	DD404298SR103K*	1
06665100	BN1F4M(M)-T	5
06706500	SRA16VBS33BP	1
06707800	SMG16V 220	3
06708100	SME16VBS 220BP	1
06917300	MC971-T12	1
06918600	MC982-T12	2
06919900	2SA-1993-T12	7
06920300	2SC5395-T12	9
06921600	RT1N140S(10K)-T12	1
07910500	MT-20C5B	1
07911800	OT-6A25	1
08300500	EA2-12V	1
09162600	B3B-PH-K-S	1
23567300	LEF-5-LED holder 6	1
23568600	LEF-LED holder 1	3
27585100	PC-1660	1