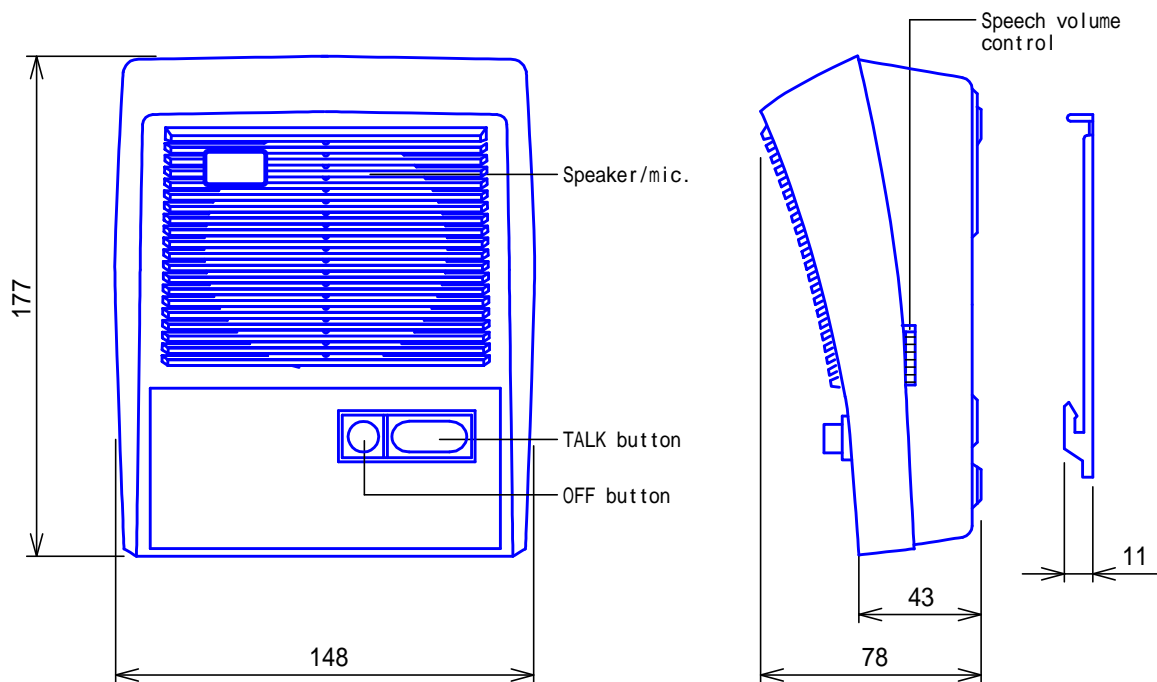
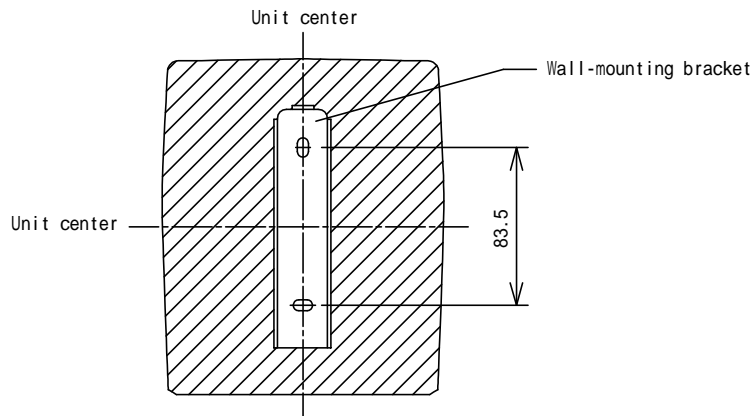


PRODUCT DRAWING



MOUNTING



- * Wall-mounting bracket; Single-gang guided.
- * Cable passes through Single-gang box, or for surface cable run, on top or bottom of unit.

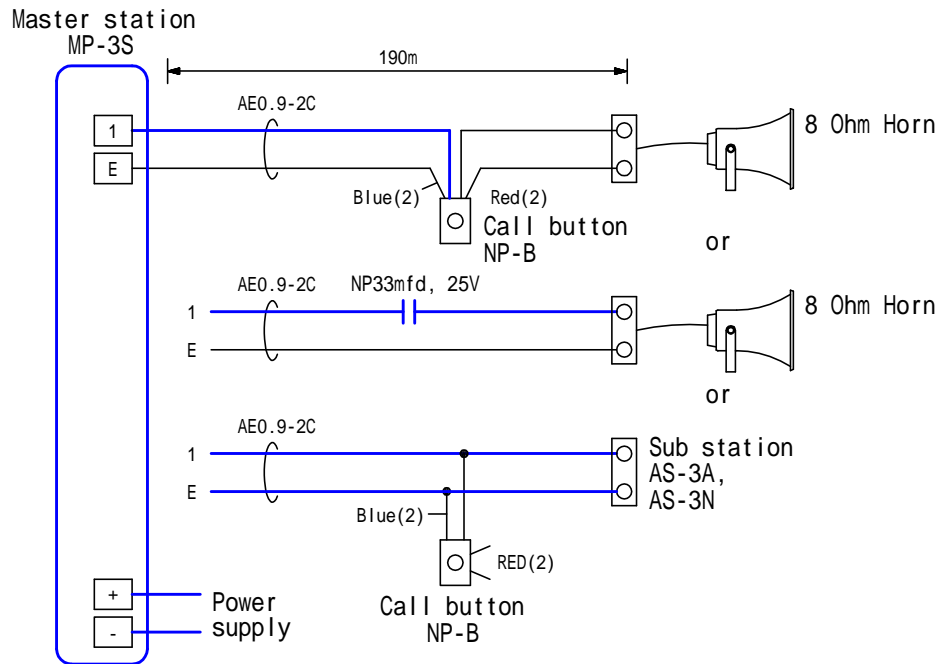
SPECIFICATIONS

Power source	12V DC. Supplied from a Power supply.
Current consumption	1A(max.).
Power output	2.5W(max.) at 1KHz.
Output impedance	8 Ohm
Mounting	Desk-top or surface wall mount
Housing	ABS plastic
Unit color	Pearl white
Weight	550g(approx.)

DESCRIPTION MASTER STATION (Mid-Power, 1-call)	FIG. NAME PRODUCT/SPECIFICATIONS	UNIT mm	DATE 23 May, 2005
MODEL NO. MP-1S	FIG.NO. 06075301-1-2	PAGE 1/2	REVISION 1

AIPHONE

WIRING DIAGRAM



RESTRICTIONS

Do not mount MP-1S in the following locations;

- Places under direct sunlight, or near heating equipment that varies in temperature.
- Places subject to iron dust, dust, oil, chemicals, hydrogen sulfide (hot spring), etc.
- Places subject to moisture and humidity extremes, such as bathroom, cellar, greenhouse, etc.
- Places where the temperature is quite low, such as inside a refrigerated area or in front of air-conditioner.
- Places subject to steam or smoke (heating or cooking surfaces).

FUNCTIONS

Calling a Sub station (8 Ohm horn, Aiphone's ceiling or desk/wall sub station) and receiving a direct reply.

SETTING

Adjusting communication volume level with Speech volume control.

Adjusting call tone volume with recessed switch on back of the unit.

DESCRIPTION MASTER STATION (Mid-Power, 1-call)	FIG. NAME WIRING/RESTR./FCN./SETTING	UNIT mm	DATE 23 May, 2005
MODEL NO. MP-1S	FIG.NO. 06075301-2-2	PAGE 2/2	REVISION 1

AIPHONE