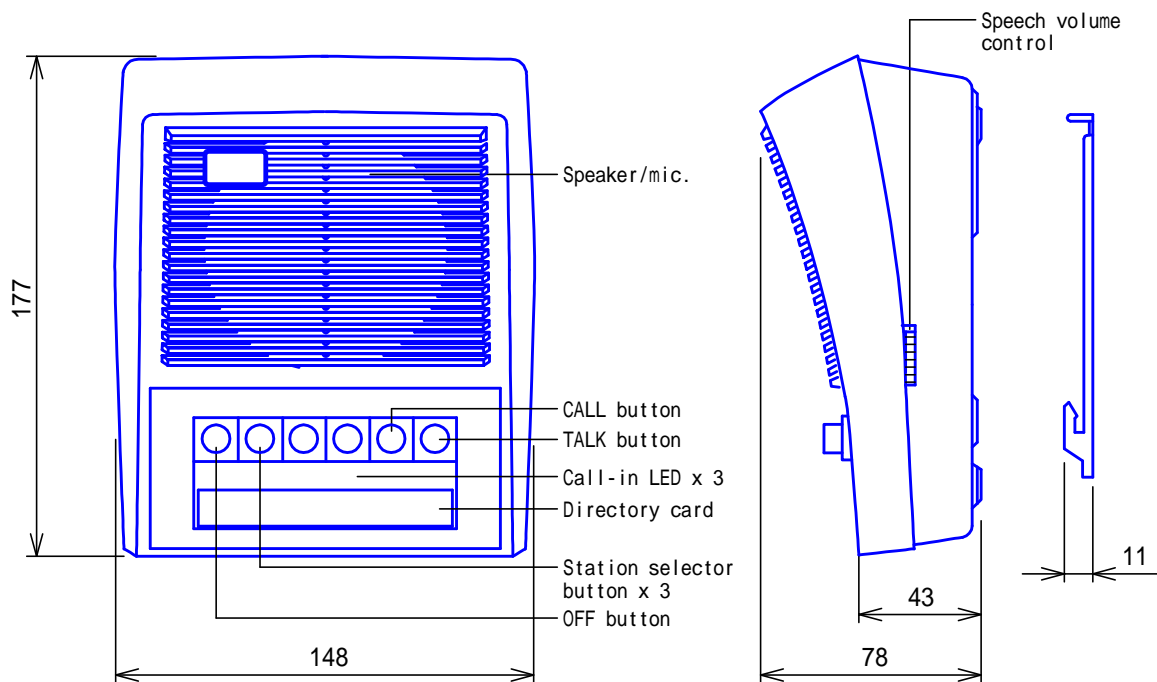
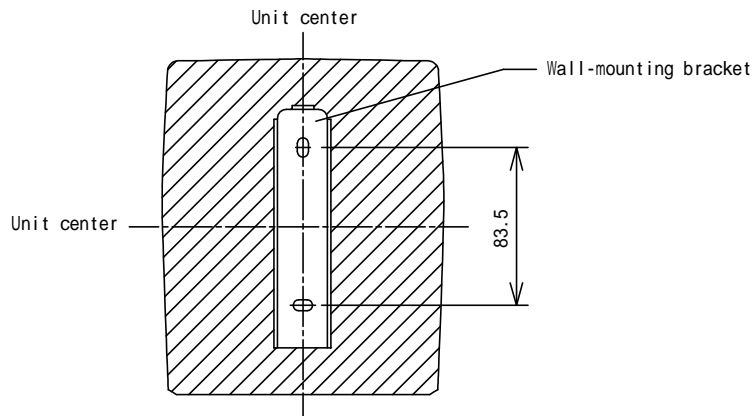


## PRODUCT DRAWING



## MOUNTING



- \* Wall-mounting bracket; Single-gang guided.
- \* Cable passes through Single-gang box, or for surface cable run, on top or bottom of unit.

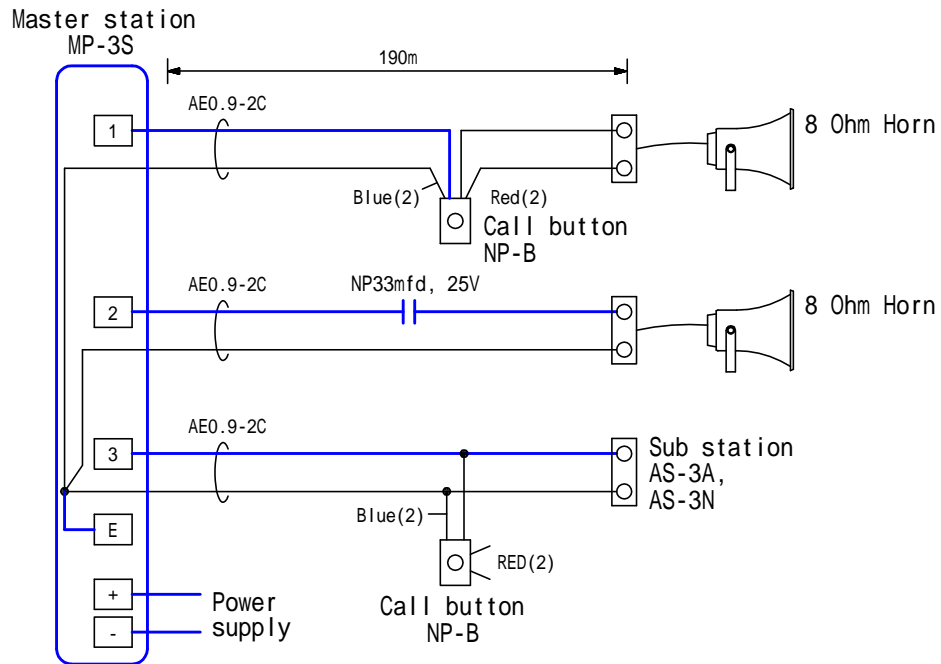
## SPECIFICATIONS

|                     |                                       |
|---------------------|---------------------------------------|
| Power source        | 12V DC. Supplied from a Power supply. |
| Current consumption | 1A(max.).                             |
| Power output        | 2.5W(max.) at 1KHz.                   |
| Output impedance    | 8 Ohm                                 |
| Mounting            | Desk-top or surface wall mount        |
| Housing             | ABS plastic                           |
| Unit color          | Pearl white                           |
| Weight              | 600g(approx.)                         |

|   |                                     |             |                      |
|---|-------------------------------------|-------------|----------------------|
| DESCRIPTION<br>MASTER STATION (Mid-Power, 3-call) | FIG. NAME<br>PRODUCT/SPECIFICATIONS | UNIT<br>mm  | DATE<br>21 May, 2005 |
| MODEL NO.<br>MP-3S                                | FIG.NO.<br>06086301-1-2             | PAGE<br>1/2 | REVISION<br>1        |

**AIPHONE**

## WIRING DIAGRAM



## RESTRICTIONS

Do not mount MP-3S in the following locations;

- Places under direct sunlight, or near heating equipment that varies in temperature.
- Places subject to iron dust, dust, oil, chemicals, hydrogen sulfide (hot spring), etc.
- Places subject to moisture and humidity extremes, such as bathroom, cellar, greenhouse, etc.
- Places where the temperature is quite low, such as inside a refrigerated area or in front of air-conditioner.
- Places subject to steam or smoke (heating or cooking surfaces).

## FUNCTIONS

Calling a Sub station (8 Ohm horn, Aiphone's ceiling or desk/wall sub station) and receiving a direct reply.

## SETTING

Adjusting communication volume level ..... with Speech volume control.

Adjusting call tone volume ..... with recessed switch on back of the unit.

|   |   |             |                      |
|---|---|-------------|----------------------|
| DESCRIPTION<br>MASTER STATION (Mid-Power, 3-call) | FIG. NAME<br>WIRING/RESTR./FCN./SETTING | UNIT<br>mm  | DATE<br>21 May, 2005 |
| MODEL NO.<br>MP-3S                                | FIG.NO.<br>06086301-2-2                 | PAGE<br>2/2 | REVISION<br>1        |

**AIPHONE**