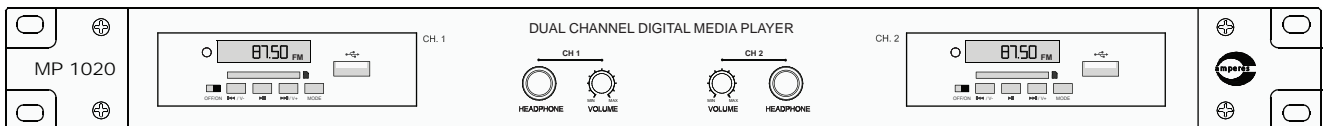


MP1020

2 CH Media Player

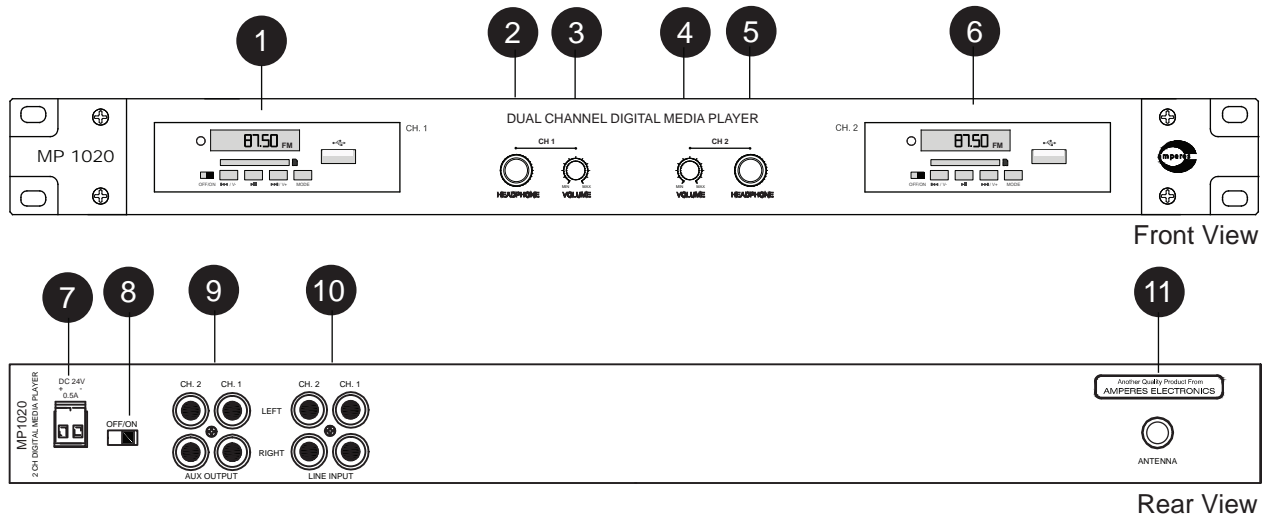


Thank you for choosing another quality product from Amperes Electronics.

MP1020 is a newly added product, which is a 2 channel digital media player in a single rack mount unit. The modules work independently and would be able to play files from SD card or USB drive as well as receiving FM broadcast.

It is suitable for system which requires multiple music sources such as Matrix system. MP1020 is definitely the choice which offers great performance for a fraction of cost as compared to using individual player.

Parts Identifications



1. PLAYER MODULE (CHANNEL 1)

Module for AM / FM Tuner, SD & USB Input Slots, volume control as well as other controls for playback.

2. HEADPHONE JACK (CHANNEL 1)

Headphone listening using 1/4" phone jack. Headphone shall override the front speaker output.

3. VOLUME CONTROL (CHANNEL 1)

Volume controller for headphone volume & the speaker output.

4. VOLUME CONTROL (CHANNEL 2)

Volume controller for headphone volume and the speaker output.

5. HEADPHONE JACK (CHANNEL 2)

Headphone listening using 1/4" phone jack. Headphone shall override the front speaker output.

6. PLAYER MODULE (CHANNEL 2)

Module for AM/FM Tuner, SD & USB Input Slots, volume control as well as other control for playback.

7. DC INPUT CONNECTOR

MP1020 shall require 24V DC for its operation.

8. OFF / ON BUTTON

Power switch for the unit.

9. AUDIO OUTPUT

Unbalanced stereo line output via RCA jacks.

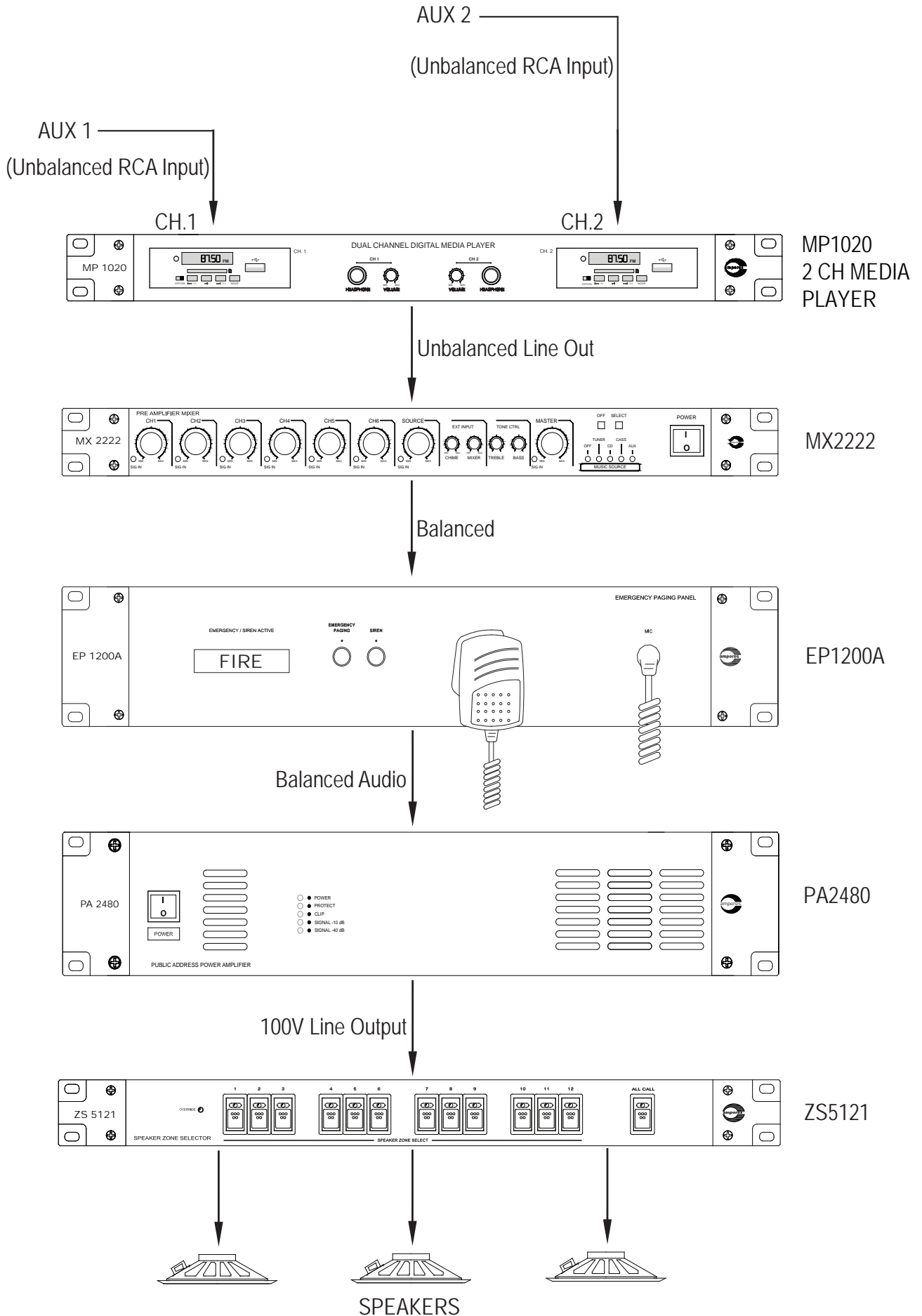
10. AUDIO INPUT

RCA jack from external source audio input CD, DVD, PC, etc

11. ANTENNA JACK

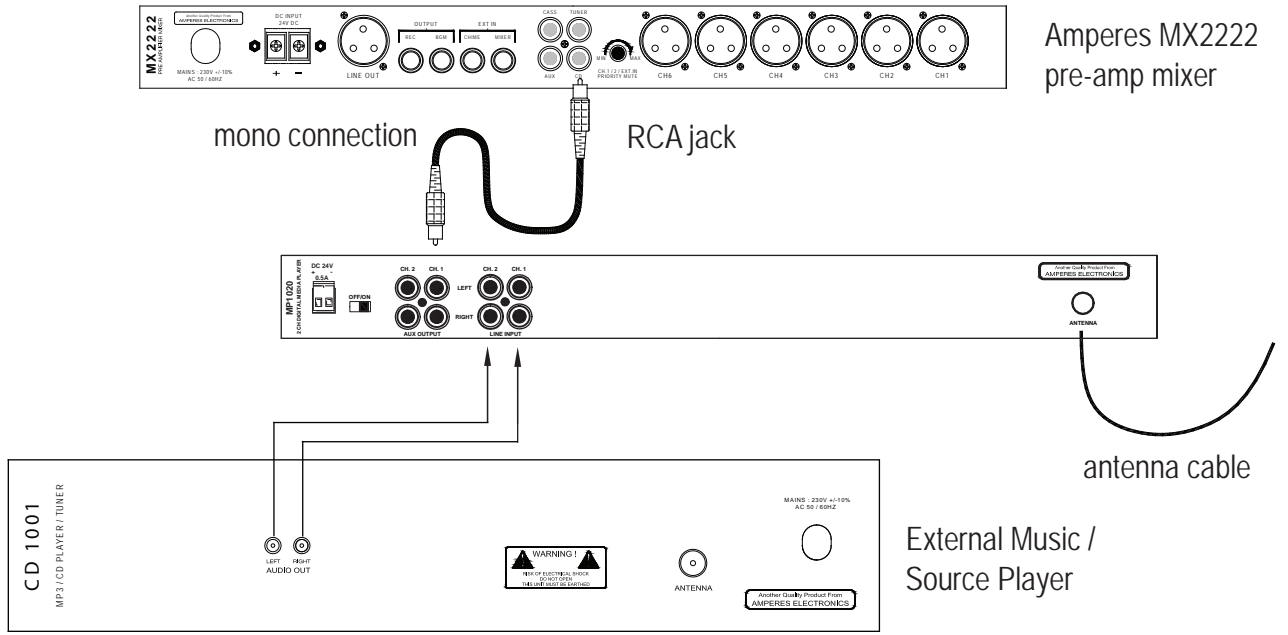
Plug in antenna cable provided via this input.

Application Schematic

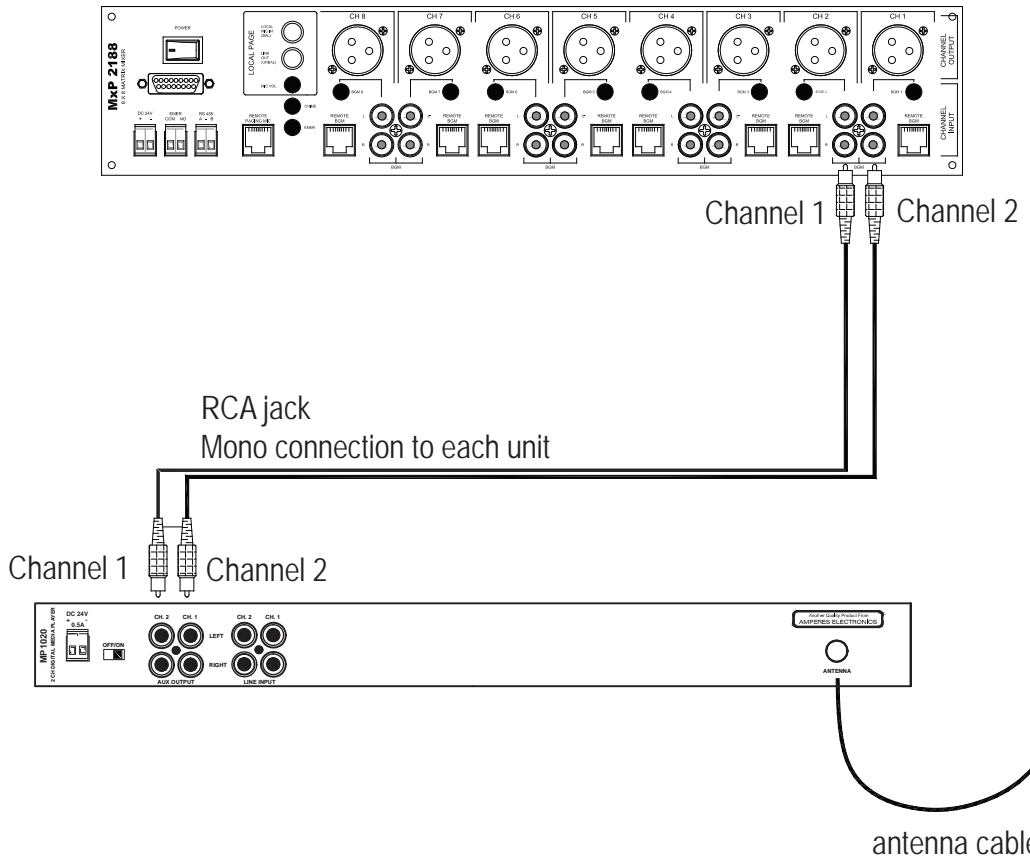


Connecting the Unit

Connecting to PA pre-amplifier Mixer (mono connection)

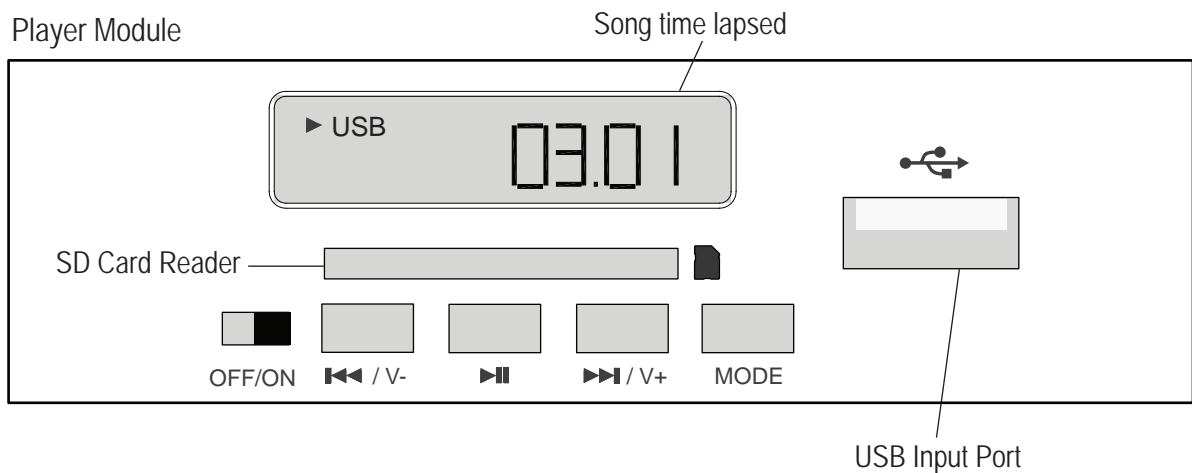


Connecting to Matrix Mixer MxP2188.



Operating the Unit (Playing USB / SD)

Insert a SD Card or USB into the slot and the unit shall automatically enter the playing mode.



OFF/ON Button

OFF/ON

Individual power OFF/ON for each module



Next, Prev & Volume Button

◀◀ / V-

The top button for repeating the previous song and to decrease the song volume while the bottom one shall skip to the next song and to increase the song volume.



▶▶ / V+



Play & Stop Button

▶▶

Press this button to play or to stop.



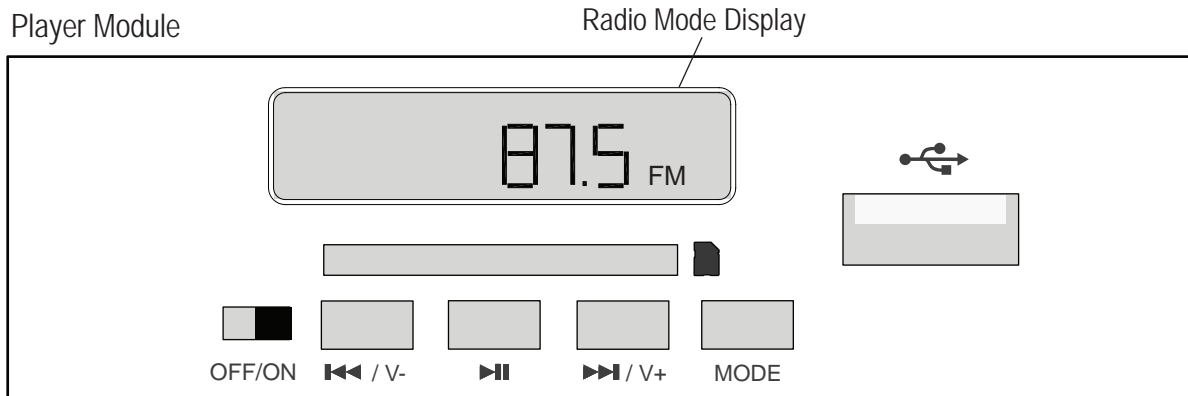
Mode Button

MODE

The menu at the display would switch between :-

RADIO ---- USB ---- SD ---- RADIO

Operating the Unit (AM / FM Tuner)



 To enter the radio mode, press Mode button & FM Radio reception mode shall be displayed.
MODE

  Use the 'Next' or 'Prev' button to manually select the station.
◀◀ / V- ▶▶ / V+

 Auto program select. Press this button briefly and the tuner shall automatically search the stations.
▶▶

Features

- Dual channel BGM source in a box
- Plays files from SD card, USB drive and FM radio reception
- Headphone monitoring

Technical Data

Operating Voltage	24V DC 1A
Power Consumption	180mA
Playback Media	USB, mini SD Card, FM radio
Supported Files	MP3, wav
Aux Audio Input	RCA Stereo Line In
Audio Output	RCA Stereo
Output Voltage	LINE Out 1.2V unbalanced
Dimension (W x H x D)	482 x 44 x 180 mm
Weight	1.8 kg

Warranty Conditions

Only Amperes Electronics Service Centres are allowed to make warranty repairs : a list of Amperes Electronics Service Centres may be asked for by the purchaser or send directly to Amperes Electronics Sdn Bhd at 70 Jalan Industri PBP 3, Tmn Perindustrian Pusat Bandar Puchong, 47100, Puchong, Selangor, Malaysia or its authorized master distributor, Amperes Global Marketing. This warranty is not valid if repairs are performed by unauthorized personnel or service centres.

This warranty covers only repairs and replacement of defective parts ; cost and risks of transportation as well as removal and installation of the product from the main system are for the account of the purchaser. This warranty shall not extend to the replacement of the unit.

This warranty does not cover damages caused by misuse, neglect, accident of the product as well as using the product with power supply voltage other than shown on the product, or any other power supply source / adaptor not recommended by the manufacturer.

This warranty does not cover damages caused by fire, earthquakes, floods, lightning and every cause not directly related to the unit.

This warranty does not include any indemnity in favor of the purchaser or the dealer for the period out of use of the unit; moreover the warranty does not cover any damages which may be caused to people and things when using the product.

This warranty certificate is valid only for the described product, and is not valid if modifications are made on this certificate or on the identification label applied on the product.

This warranty covers all the material and manufacturing defects and is valid for a period of 12 months from the date of purchase or for a longer period in countries where this is stated by a national law. In this case, the extension is valid only in the country where the product is purchased.

Amperes Electronics Sdn Bhd is not obliged to modify previously manufactured products under warranty if the design changes or improvements are made.

Disclaimer

Information contained in this manual is subject to change without prior notice and does not represent a commitment on the part of the vendor. AMPERES ELECTRONICS SDN BHD shall not be liable for any loss or damages whatsoever arising from the use of information or any error contained in this manual.

It is recommended that all services and repairs on this product be carried out by AMPERES ELECTRONICS SDN BHD or its authorized service agents.

AMPERES series must only be used for the purpose they were intended by the manufacturer and in conjunction with this operating manual.

AMPERES ELECTRONICS SDN BHD cannot accept any liability whatsoever for any loss or damages caused by service, maintenance or repair by unauthorized personnel, or by use other than that intended by the manufacturer.



ISO 9001:2008
Design & Manufacture of Public Address Equipment and Systems
Certificate No. 16895 / A / 0001 / UK / En



AMPERES ELECTRONICS SDN BHD
MADE IN MALAYSIA
Published : March 2014