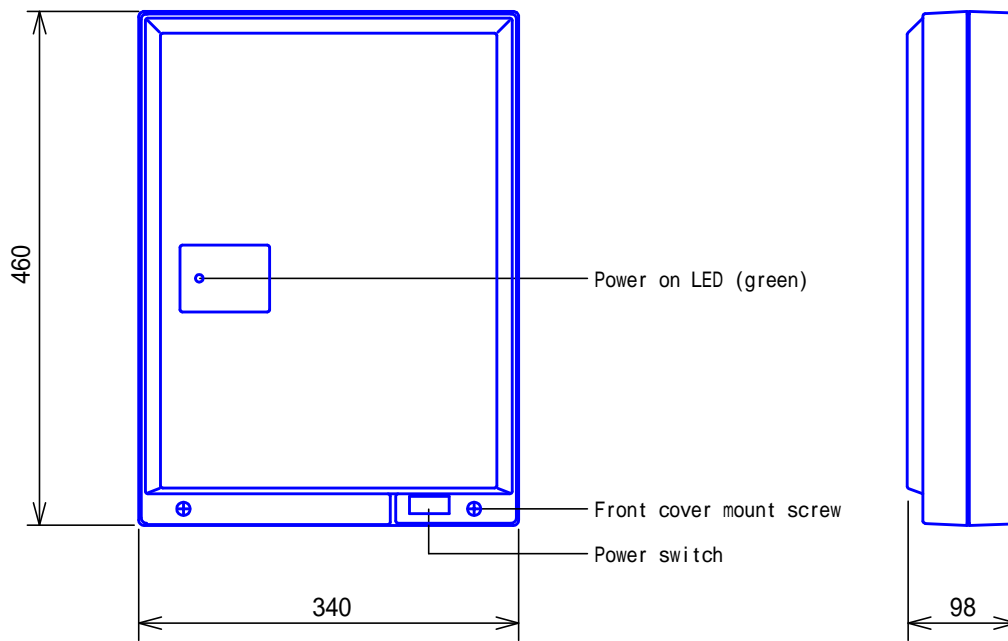
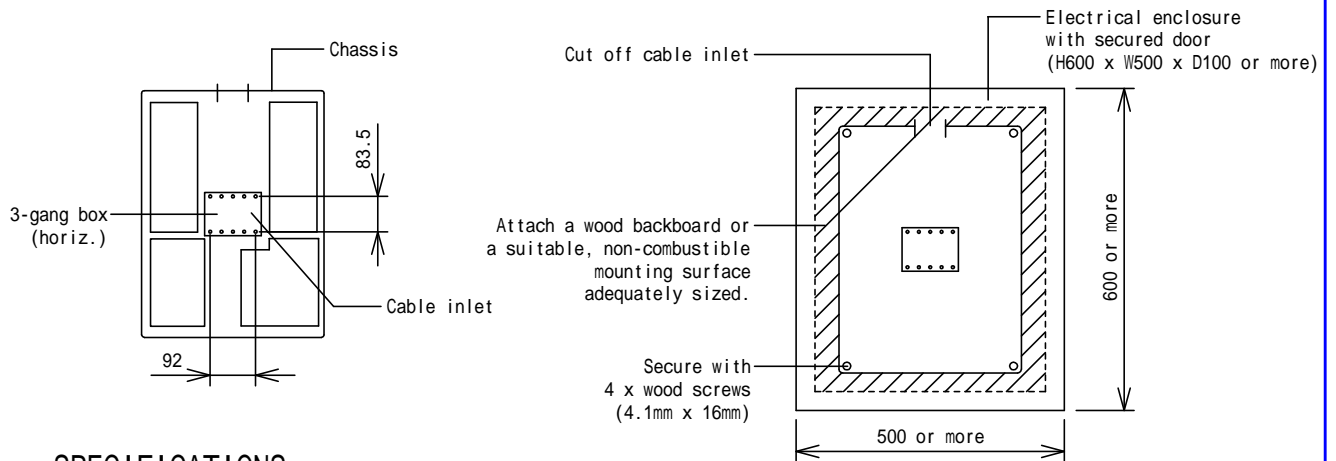


PRODUCT DRAWING



MOUNTING



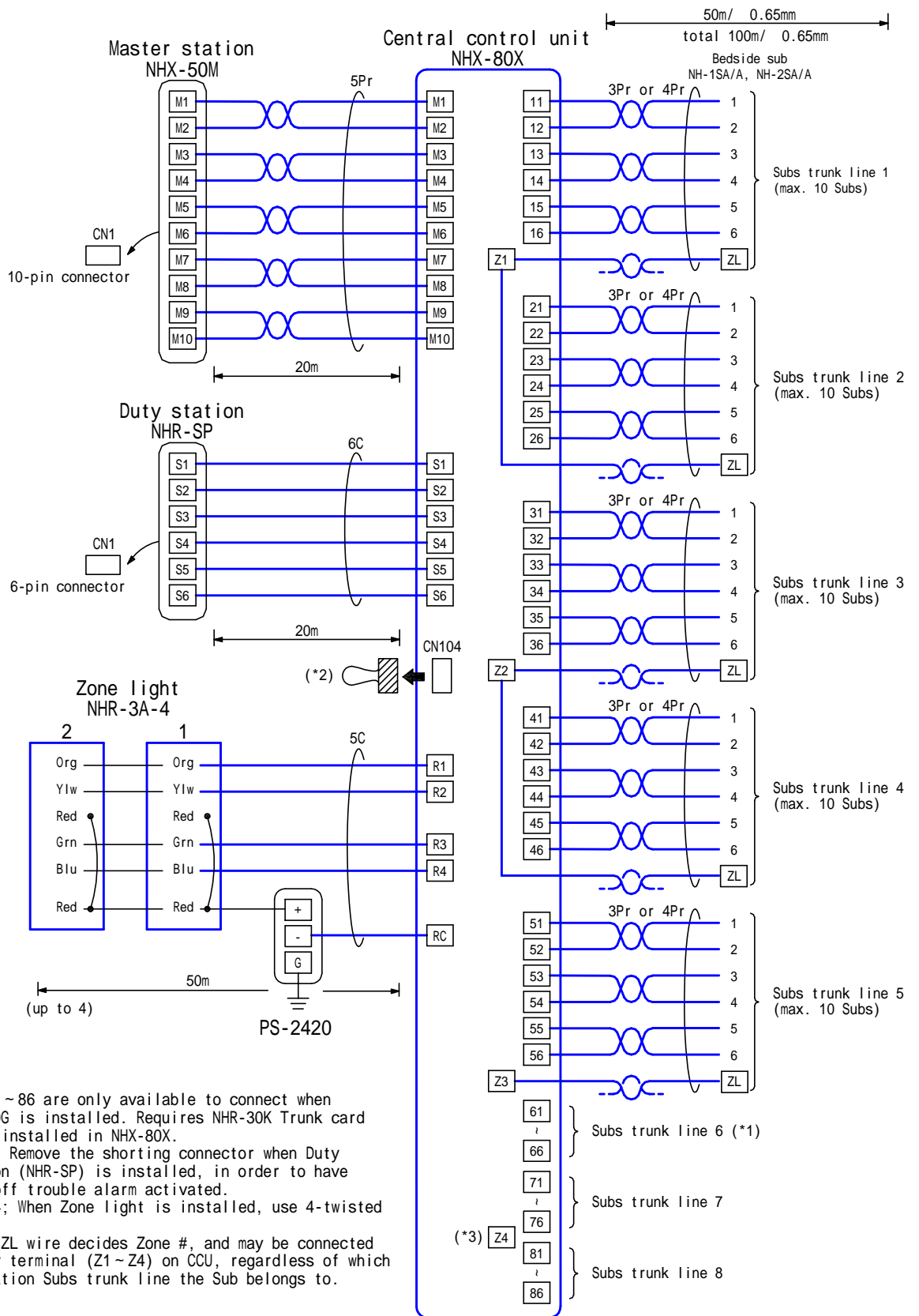
SPECIFICATIONS

Power source	24V DC. Use two Power supplies PS-2420.
Current consumption	4A (max.)
Station capacity	50 Sub stations (NHX-50M) + 30 Sub stations (NHX-30G). NHX-30K Card is required.
Talk channel	Single and private
Call-in priority	1. Cord-out trouble call. 2. Urgent call = Bathroom call (room or common area) or Staff call (NHR-3TS) 3. Routine call
Mounting	Surface wall mount or inside Electrical enclosure
Electrical box	3-gang box (w/no extension or spacer)
Housing	Fire-retardant plastic
Unit color	White
Remarks	Used for; NHX system.

DESCRIPTION CENTRAL CONTROL UNIT (CCU)	FIG. NAME PRODUCT/SPECIFICATIONS	UNIT mm	DATE 24 May, 2005
MODEL NO. NHX-80X	FIG.NO. 05425301-1-3	PAGE 1/3	REVISION 1

AIPHONE

WIRING DIAGRAM



- (*1) Nos.61~86 are only available to connect when NHX-30G is installed. Requires NHR-30K Trunk card to be installed in NHX-80X.
- (*2) CN104; Remove the shorting connector when Duty station (NHR-SP) is installed, in order to have Line-off trouble alarm activated.
- (*3) Z1~Z4; When Zone light is installed, use 4-twisted pairs. Sub's ZL wire decides Zone #, and may be connected to any terminal (Z1~Z4) on CCU, regardless of which 10-station Subs trunk line the Sub belongs to.

DESCRIPTION	FIG. NAME	UNIT	DATE
CENTRAL CONTROL UNIT (CCU)	WIRING DIAGRAM	mm	24 May, 2005
MODEL NO.	FIG.NO.	PAGE	REVISION
NHX-80X	05425301-2-3	2/3	1
			AIPHONE

RESTRICTIONS

Blown fuse means that there exists a system's power or wiring problem. The cause of the problem shall be found and resolved before installing new fuses.
A sub station shall not have more than one zone indication.

FUNCTIONS

Accommodating max. 80 Sub stations

Provided 8 Terminal blocks numbered 11~16 through 81~86, each connecting up to 10 Sub stations.

Connecting one to max. 4 Zone lights

Install a Power supply PS-2420 for every two Zone lights.

Connecting on e Duty station

Remove the shorting connector (CN104) for its Line-off trouble alarm.

Providing power supply of all the components except Zone light.

Resetting the system when it does not operate properly or malfunctions.

SETTING

Zero setting after programming all the Sub station numbers.

DESCRIPTION CENTRAL CONTROL UNIT (CCU)	FIG. NAME RESTR. / FCN. / SETTING	UNIT mm	DATE 24 May, 2005
MODEL NO. NHX-80X	FIG.NO. 05425301-3-3	PAGE 3/3	REVISION 1

AIPHONE