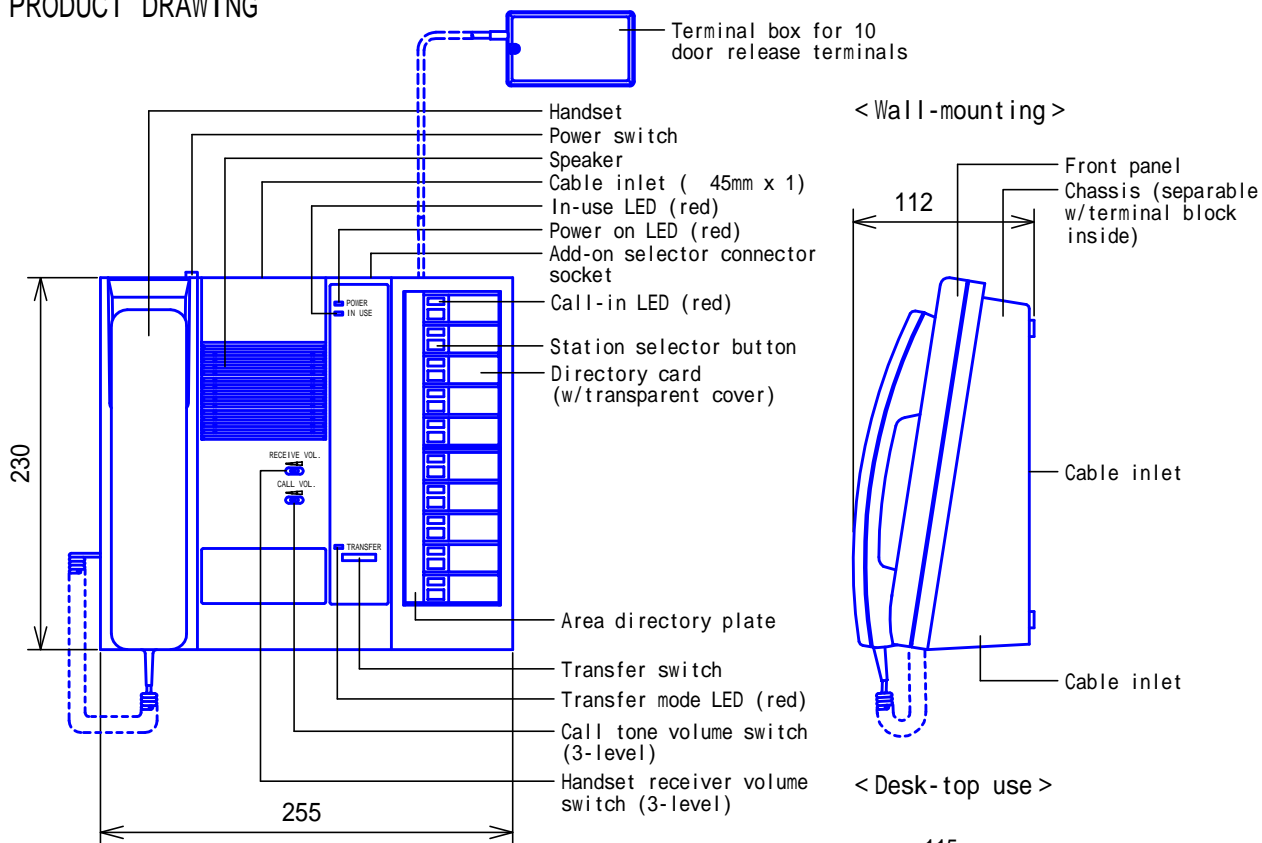
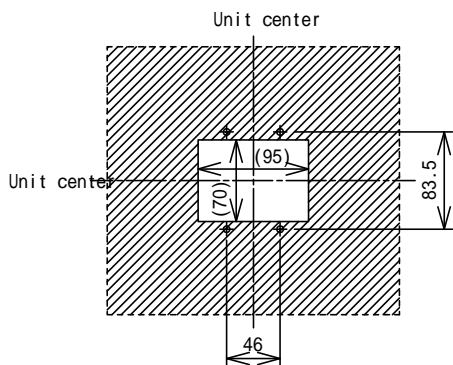


PRODUCT DRAWING



MOUNTING



95(W) x 70(H): Opening cut out on the wall.

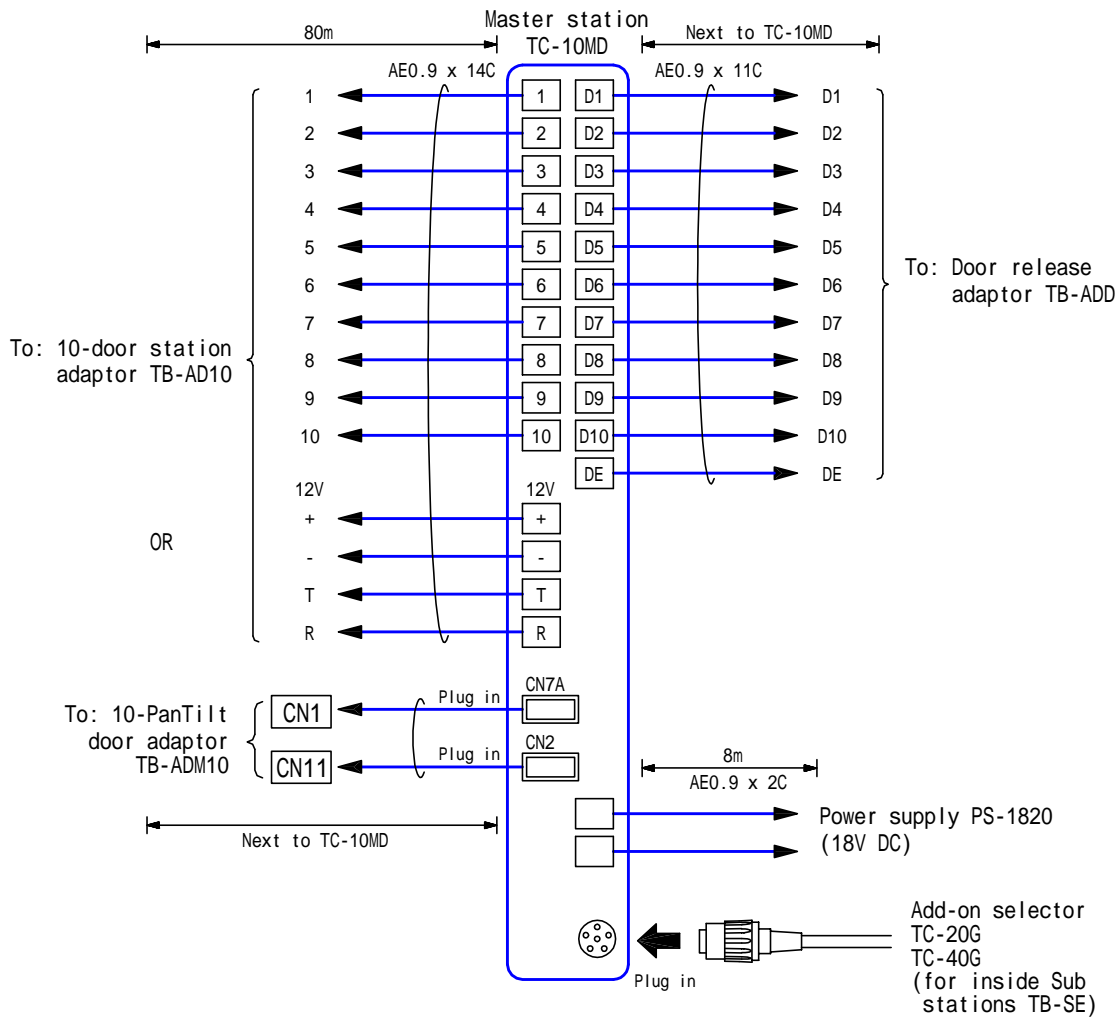
SPECIFICATIONS

Power source	DC 18V, 350mA (Use a Power supply PS-1820S/UL). AC15 ~ 16V, 50/60Hz., 750mA.
Power consumption	6W(max.). 3W(in standby).
Type of communication	Handset simultaneous communication
Station capacity	10 Sub stations
Call tone	Electronic tremolo (Sub, Door station & Master station)
Mounting	Desk-top or wall-mount
Electrical box	2-gang box
Housing	Front panel: Fire-retardant ABS plastic. Chassis: Ordinary sheet steel.
Weight	2.3kg(approx.)
Unit color	Snow white & gray, 2-tone

DESCRIPTION	FIG. NAME	UNIT	DATE
MASTER STATION (10 door rlses.)	PRODUCT/SPECIFICATIONS	mm	26 March, 2005
MODEL NO.	FIG.NO.	PAGE	REVISION
TC-10MD	TC-10MD-1-2	1/2	1

AIPHONE

WIRING DIAGRAM



RESTRICTIONS

When the terminal E is not enough, connect max. 2 or 3 Subs' E wires to a single E terminal.
 TC-10MD Master station shall be used with TB-ADD Multiple door release adaptor.

FUNCTIONS

Placing/receiving a call and communication with a Door station IF-DA or MK-DBC.
 Depress a station selector switch to enter communication.

SETTING

Adjusting Handset receiver volume (3-level) With front RECEIVE VOL. switch
 Adjusting call tone volume (3-level)..... With front CALL VOL. switch

DESCRIPTION	FIG. NAME	UNIT	DATE
MASTER STATION (10 door rlses.)	WIRING/RESTR./FCN./SETTING	mm	28 March, 2005
MODEL NO.	FIG.NO.	PAGE	REVISION
TC-10MD	TC-10MD-2-2	2/2	1

AIPHONE