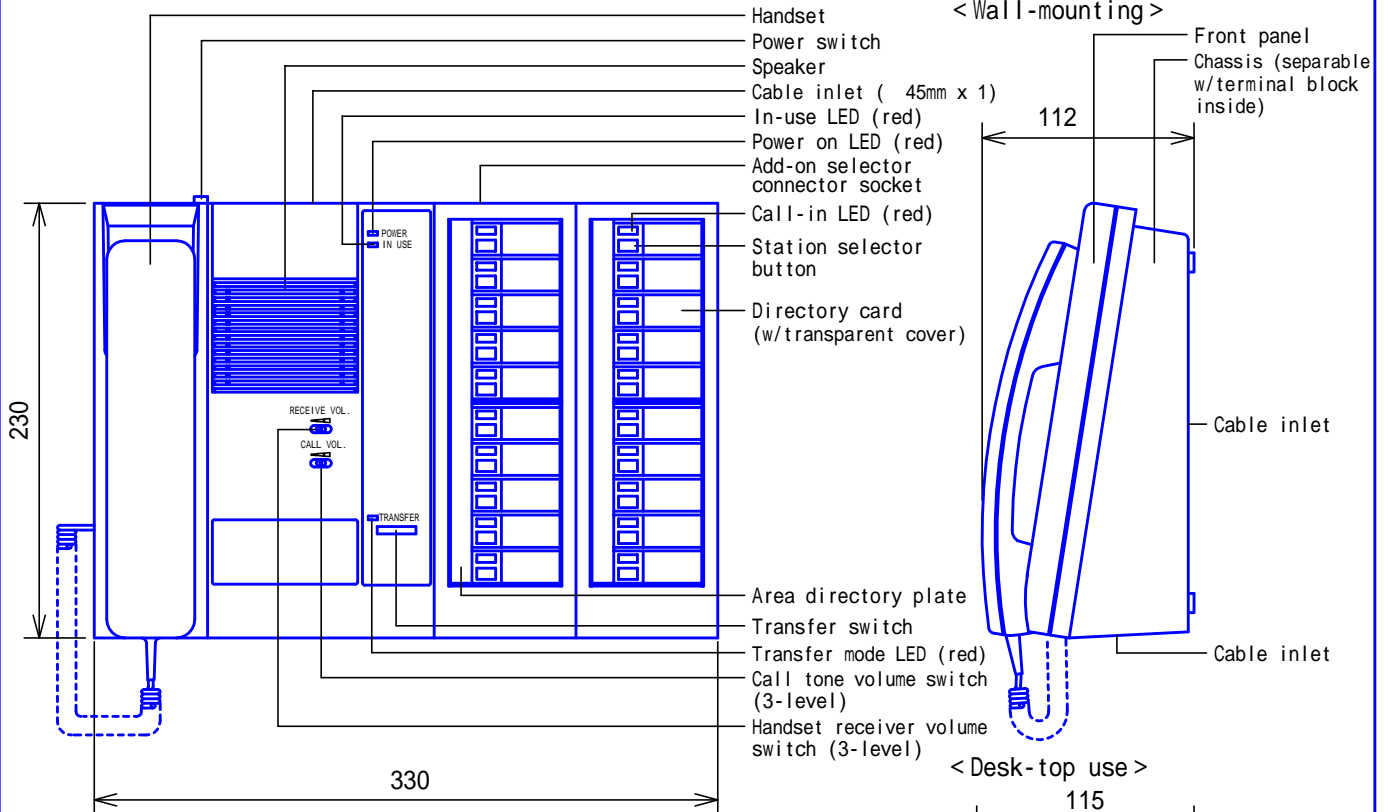
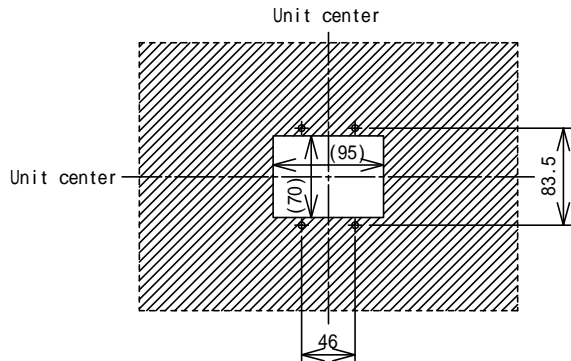


PRODUCT DRAWING



MOUNTING



95(W) x 70(H): Opening cut out on the wall.

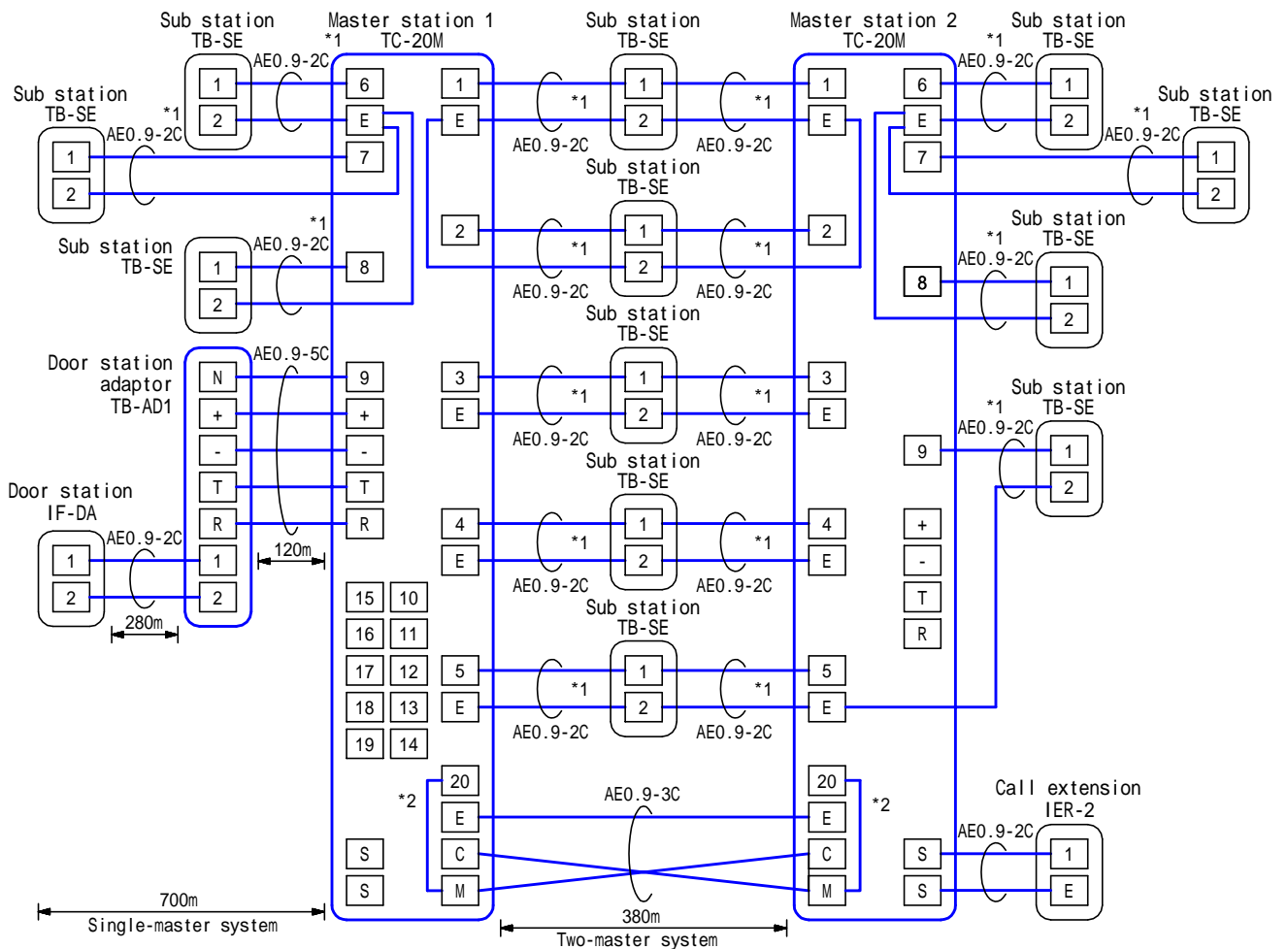
SPECIFICATIONS

Power source	DC 18V, 350mA (Use a Power supply PS-1820S/UL). AC15 ~ 16V, 50/60Hz., 750mA.
Power consumption	6W (max.). 3W (in standby).
Type of communication	Handset simultaneous communication
Station capacity	20 Sub stations
Call tone	Electronic tremolo (Sub, Door station & Master station)
Mounting	Desk-top or wall-mounting
Electrical box	2-gang box
Housing	Front panel: Fire-retardant ABS plastic. Chassis: Ordinary sheet steel.
Weight	2.7kg (approx.)
Unit color	Snow white & gray, 2-tone

DESCRIPTION	FIG. NAME	UNIT	DATE
MASTER STATION (20-call)	PRODUCT/SPECIFICATIONS	mm	15 March, 2004
MODEL NO.	FIG.NO.	PAGE	REVISION
TC-20M	30757301-1-2	1/2	2

AIPHONE

Sub station WIRING DIAGRAM



- *1. When a TB-SE Sub station(s) is connected to two TC-20M Master stations, run a polarized pair wires individually.
- *2. For wiring between two TC-20M Master stations, make a short between terminals M & assigned No. (20 in the diagram) for calling the opponent Master station.

RESTRICTIONS

When the terminal E is not enough, connect max. 2 or 3 Subs' E wires to a single E terminal.
 Max. three TB-AD1, Single door adaptors can be connected per system.
 For more than four-door application, install a TB-AD10, 10-call door adaptor.

FUNCTIONS

Placing/receiving a call and communication with a Sub station (TB-SE).
 Depress a station selector switch to enter communication.
 Transfer a call from a Sub station (TB-SE) to another for communication between the two Sub stations.

SETTING

Adjusting Handset receiver volume (3-level) With front RECEIVE VOL. switch
 Adjusting call tone volume (3-level)..... With front CALL VOL. switch

DESCRIPTION MASTER STATION (20-call)	FIG. NAME WIRING/RESTR./FCN./SETTING	UNIT mm	DATE 28 March, 2002
MODEL NO. TC-20M	FIG.NO. 30757301-2-2	PAGE 2/2	REVISION 1
			AIPHONE