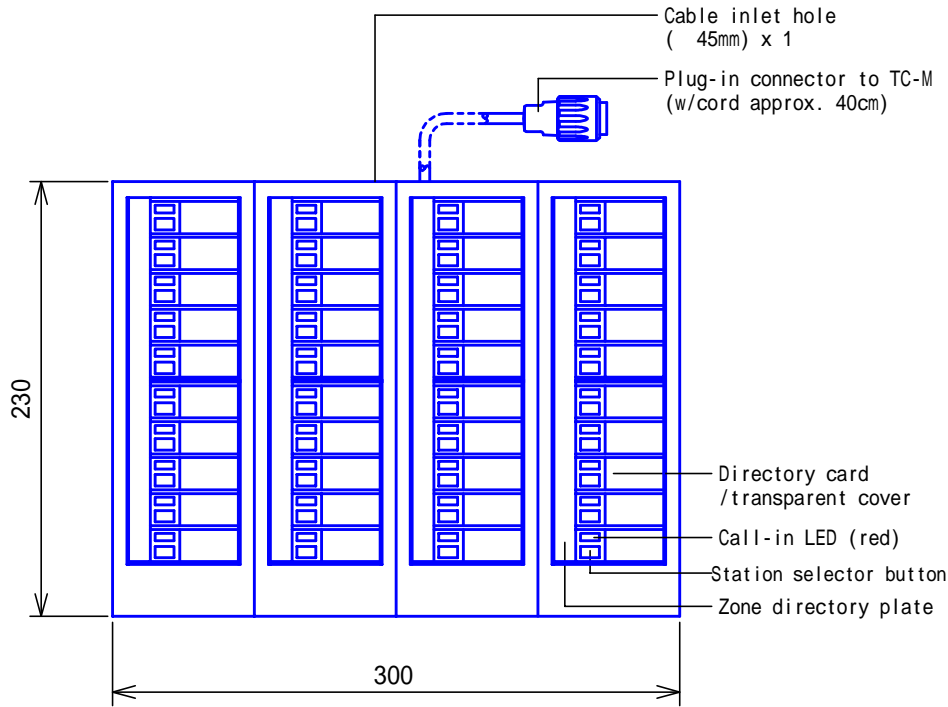
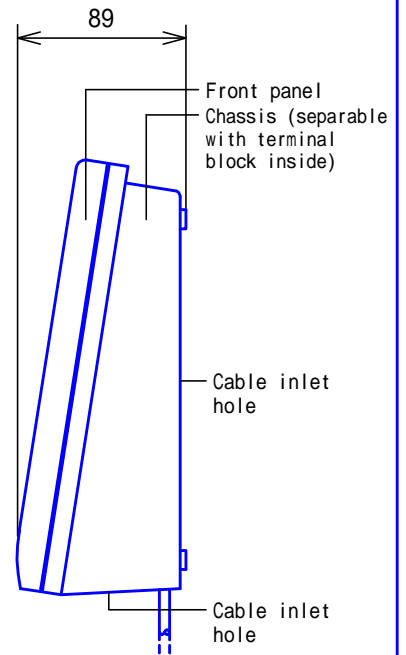


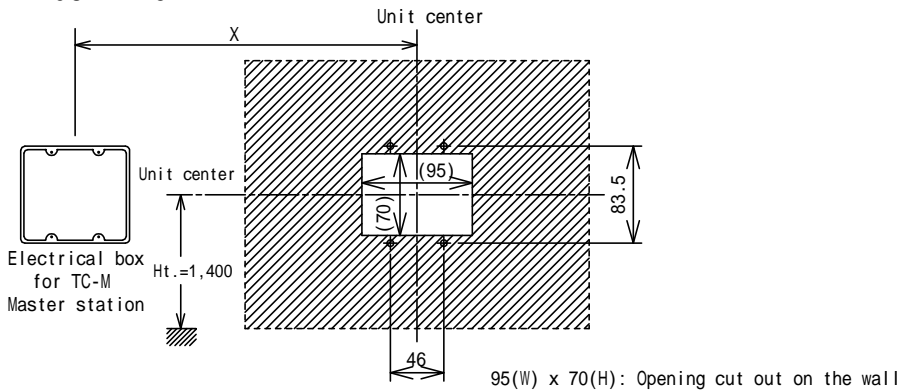
PRODUCT DRAWING



Wall-mounting



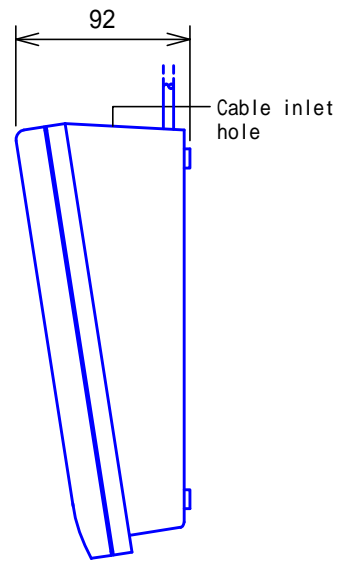
MOUNTING



Master station	Interval between two Boxes X (in mm)
TC-10M	278
TC-20M	315

* Refer TC-10M/20M Specifications to the electrical box used for TC-10M/20M.

Desk-top use



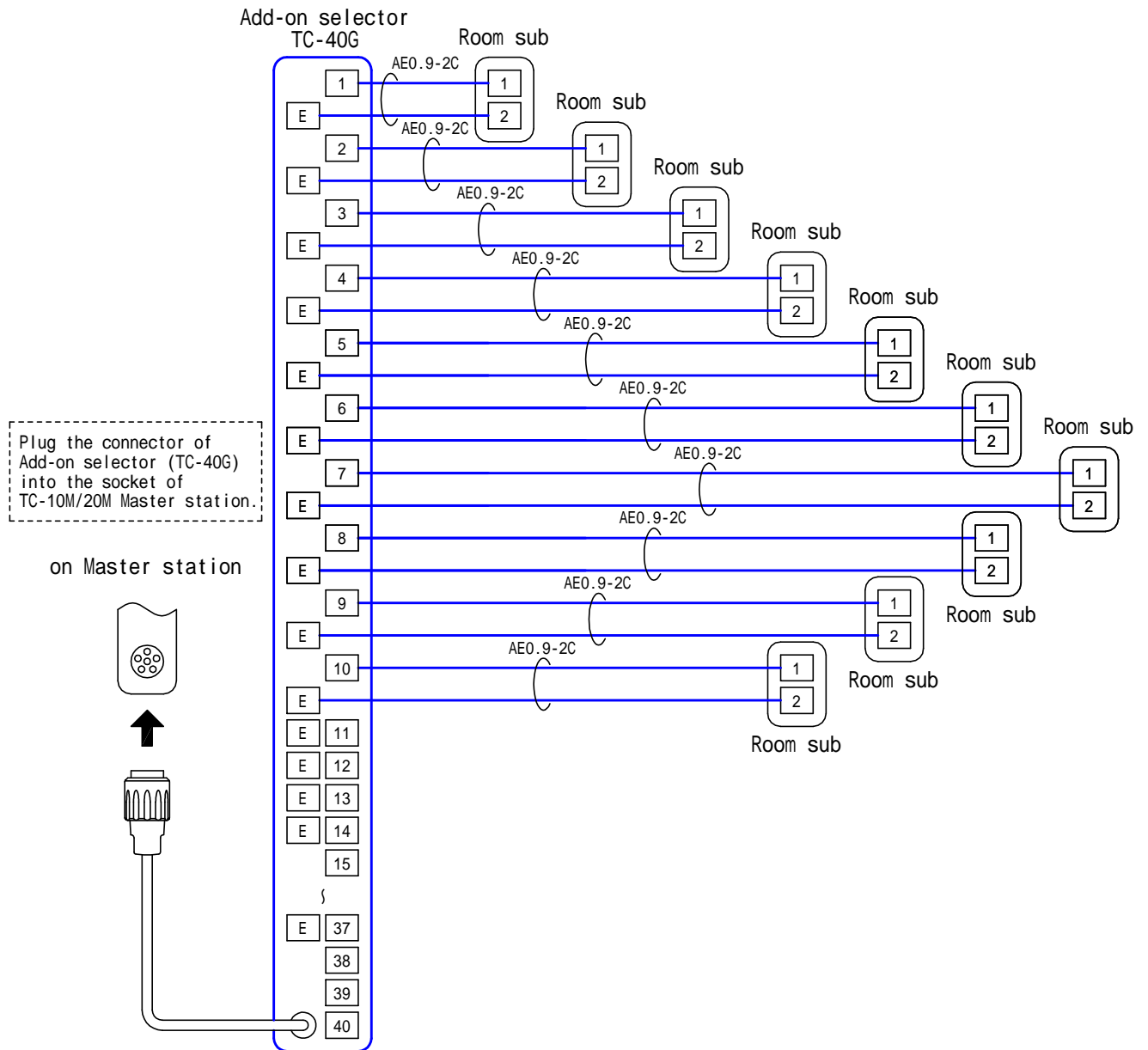
SPECIFICATIONS

Power source	Supplied from Master station
Capacity	Up to 40 Sub stations
Mounting	Desk-top use or wall-mounting
Electrical box	Two-gang box
Housing	Front panel; Fire-retardant ABS plastic. Chassis; Ordinary sheet steel.
Weight	1.9kg(approx.)
Unit color	Snow white & gray, two-tone

DESCRIPTION	FIG. NAME	UNIT	DATE
ADD-ON SELECTOR (40-call)	PRODUCT/SPECIFICATIONS	mm	15 March, 2004
MODEL NO.	FIG.NO.	PAGE	REVISION
TC-40G	30779301-1-2	1/2	2

AIPHONE

接続図



RESTRICTIONS

When [E] terminals are not enough, it may connect to one [E] terminal, splicing 2 or 3 TB-SE's [E] wires.

DESCRIPTION ADD-ON SELECTOR (40-call)	FIG. NAME WIRING/RESTRICTIONS	UNIT mm	DATE 28 March, 2002
MODEL NO. TC-40G	FIG.NO. 30779301-2-2	PAGE 2/2	REVISION 1
			AIPHONE