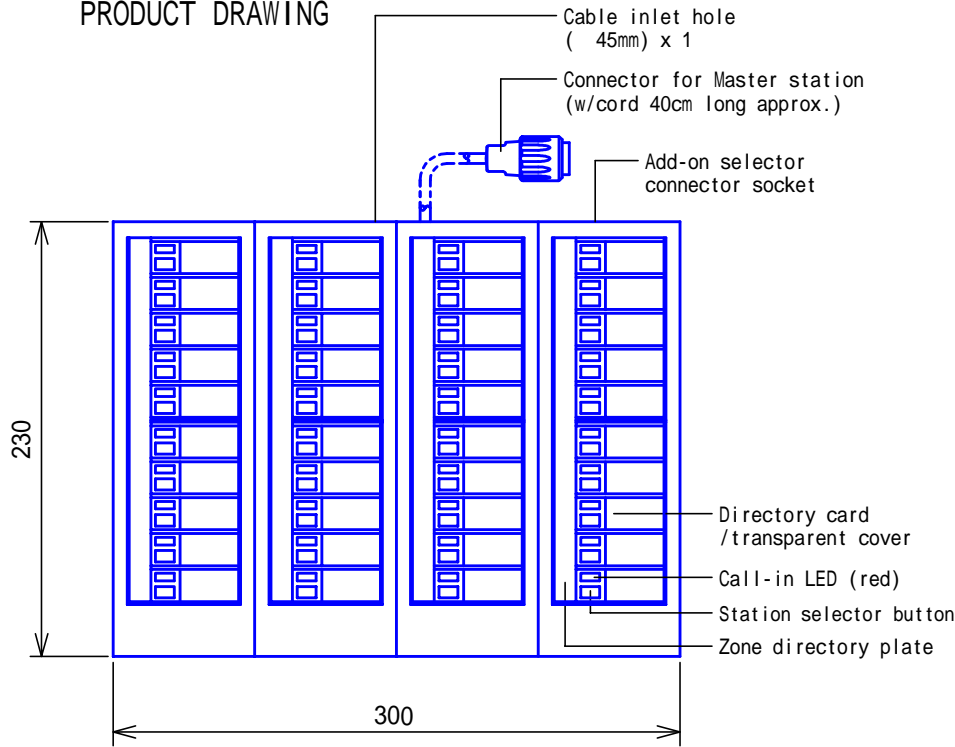
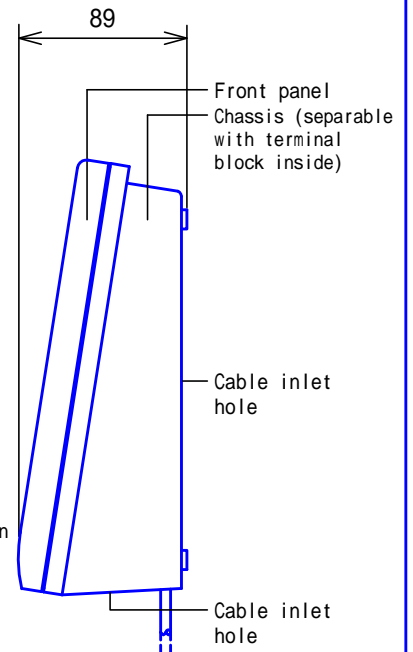


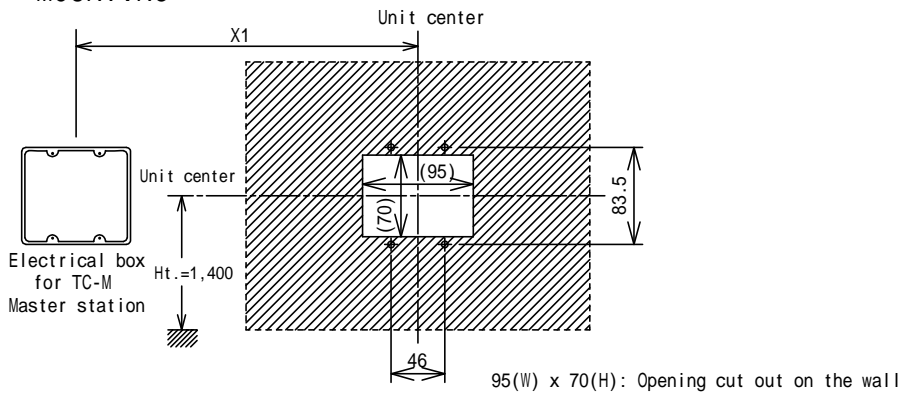
**PRODUCT DRAWING**



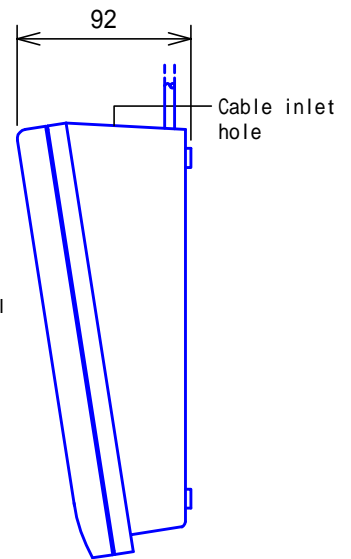
**Wall-mounting**



**MOUNTING**



**Desk-top use**



Master station	Add-on selector 1	Interval X1 (mm)	Add-on selector 2	Interval X2 (mm)
TC-10M	TC-40GS	278	TC-20G	225
TC-20M	TC-40GS	315	TC-40G	300

\* Refer TC-10M/20M Specifications to the electrical box used for TC-10M/20M.

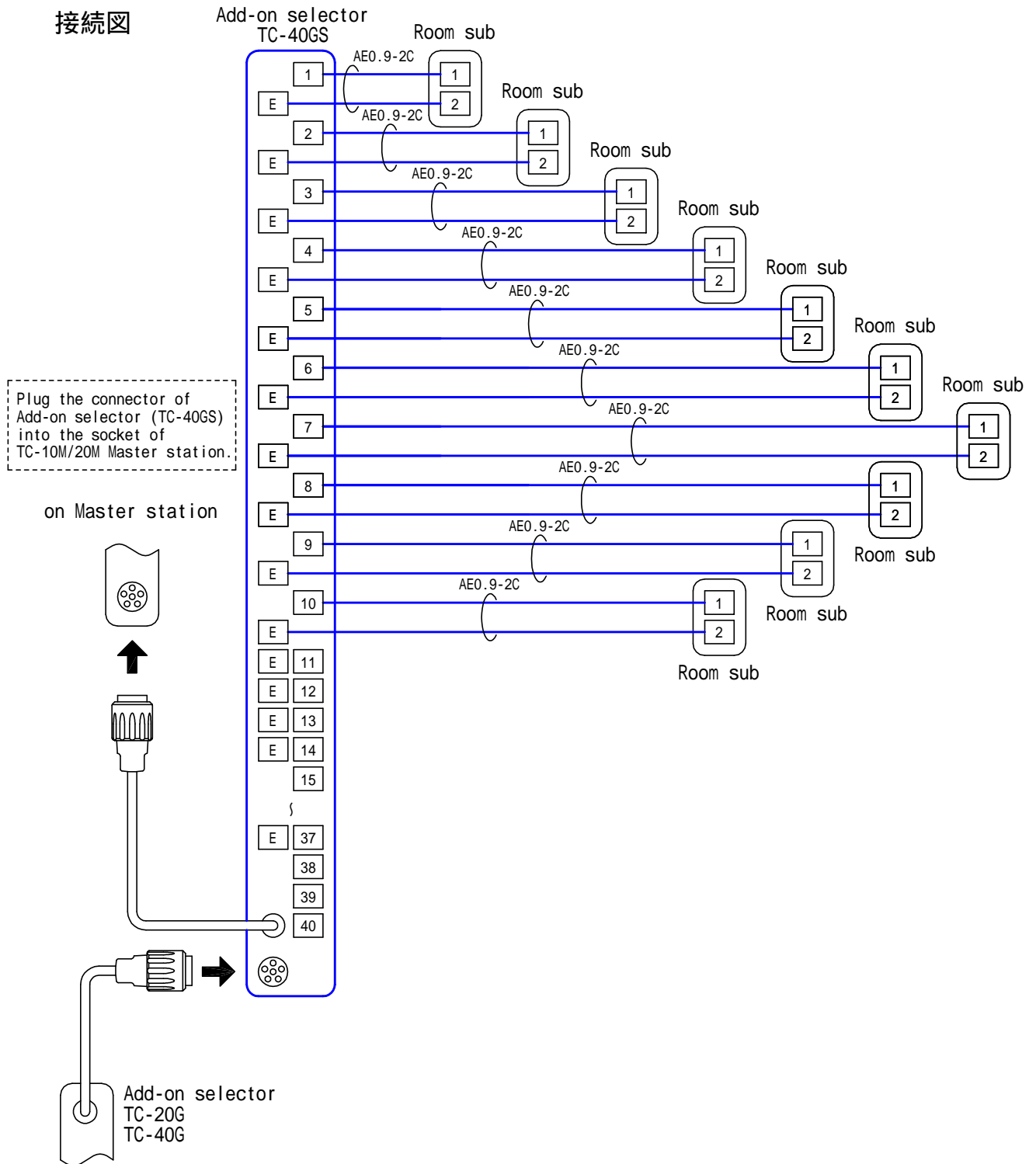
**SPECIFICATIONS**

Power source	Supplied from Master station
Capacity	Up to 40 Sub stations
Mounting	Desk-top use or wall-mount
Electrical box	Two-gang box
Housing	Front panel; Fire-retardant ABS plastic. Chassis; Ordinary sheet steel.
Weight	1.9kg(approx.)
Unit color	Snow white & gray, two-tone
Remarks	Equipped w/second connector for next TC-20G/40G Add-on selector.

DESCRIPTION (40-call with ADD-ON SELECTOR 20/40-call expander)	FIG. NAME <b>PRODUCT/SPECIFICATIONS</b>	UNIT mm	DATE 1 July, 2010
MODEL NO. <b>TC-40GS</b>	FIG.NO. TC-40GS-1-2	PAGE 1/2	REVISION 2

**AIPHONE**

# 接続図



## RESTRICTIONS

When [E] terminals are not enough, it may connect to one [E] terminal, splicing 2 or 3 TB-SE's [E] wires.

DESCRIPTION (40-call with ADD-ON SELECTOR 20/40-call expander)	FIG. NAME <b>WIRING/RESTRICTIONS</b>	UNIT mm	DATE 1 July, 2010
MODEL NO. <b>TC-40GS</b>	FIG.NO. TC-40GS-2-2	PAGE 2/2	REVISION 2
			<b>AIPHONE</b>