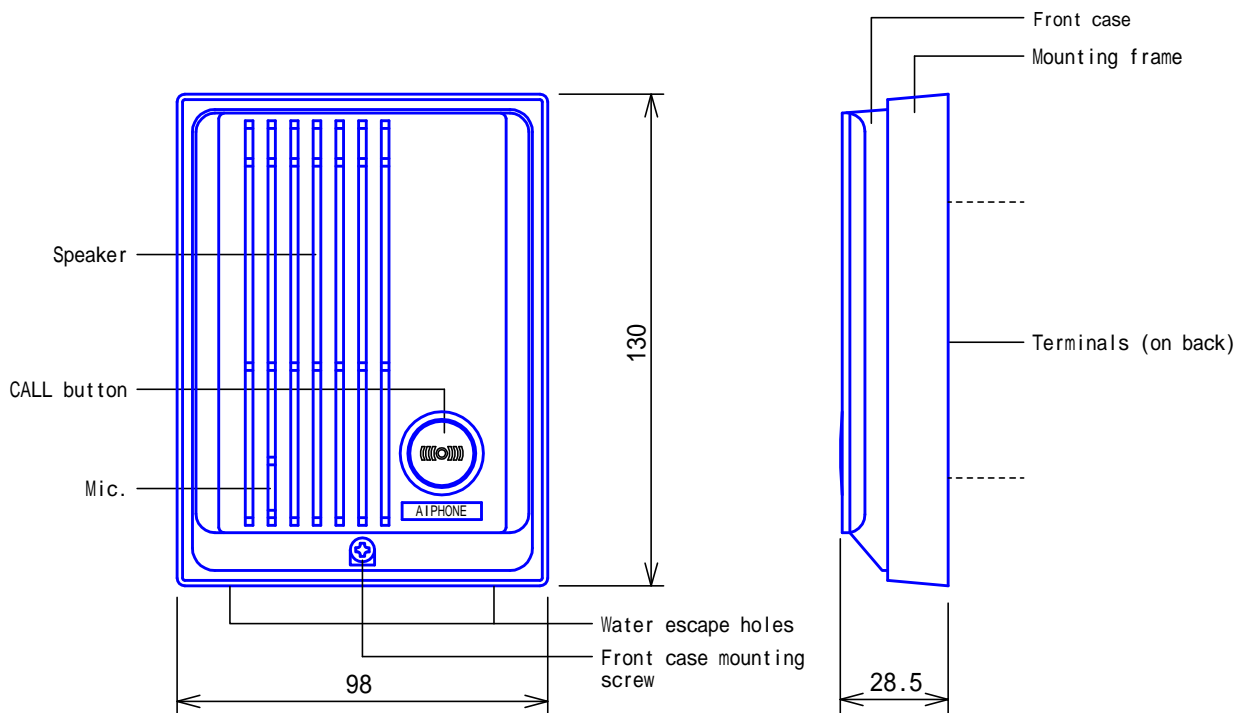
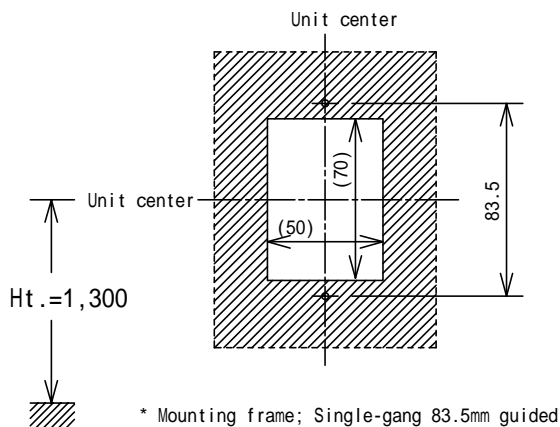


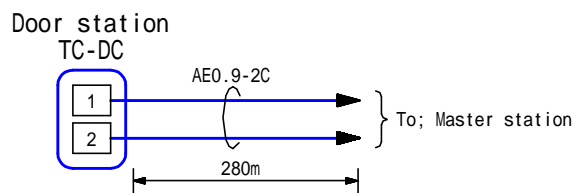
# PRODUCT DRAWING



## MOUNTING



## WIRING DIAGRAM



## RESTRICTIONS

Do not have water escape holes on bottom sealed.  
The master station compatible is TC-MH only.

## FUNCTIONS

Placing a call by pressing CALL button and entering communication after Master station replies.

## SPECIFICATIONS

Power source	Supplied from Master station
Type of communication	Open voice simultaneous communication
Housing	Surface wall mount
Electrical box	Single-gang box
Housing	Fire-retardant ABS plastic
Weight	210g(approx.)
Unit color	Tener gray
Remarks	Weather-resistant (JIS C 0920 Protection Class 3 or equivalent)

DESCRIPTION	FIG. NAME	UNIT	DATE
DOOR STATION (TCS-MH set)	PRODUCT/SPEC./WIRING/RESTR./FCN.	mm	11 March, 2002
MODEL NO.	FIG.NO.	PAGE	REVISION
TC-DC	TC-DC-1-1	1/1	1

**AIPHONE**