

# CHIME-PHONE TCS-MH

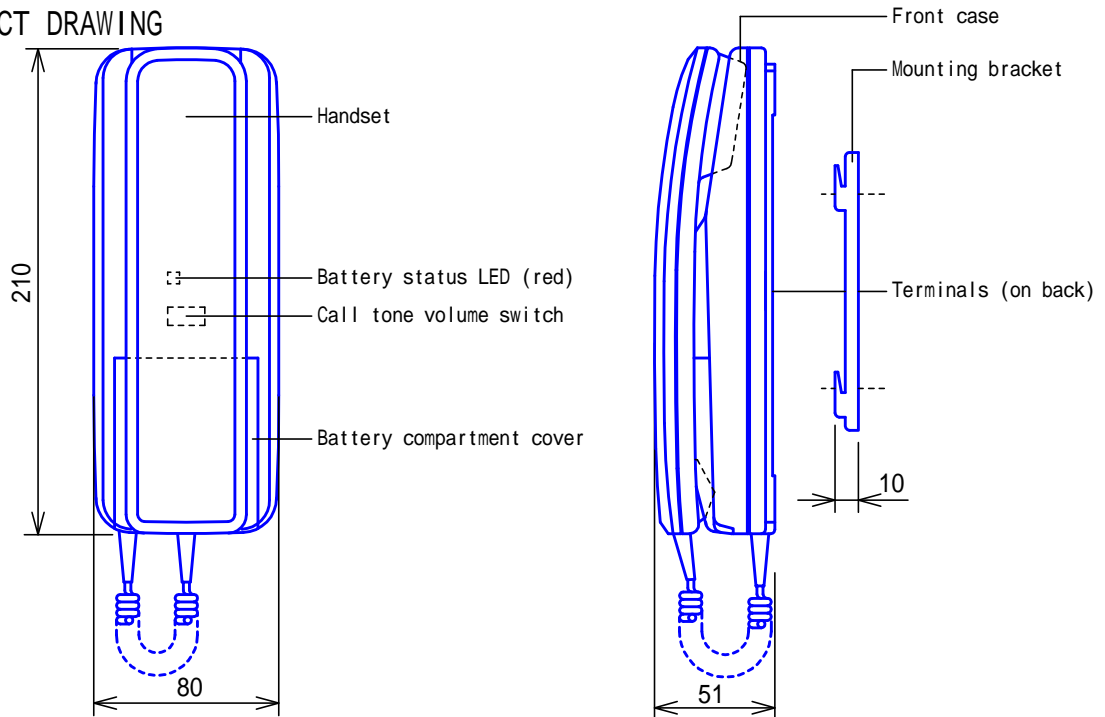
Kit box contains;

DESCRIPTION	MODEL NO.	UNIT
Master station	TC-MH	1 unit
Door station	TC-DC	1 unit

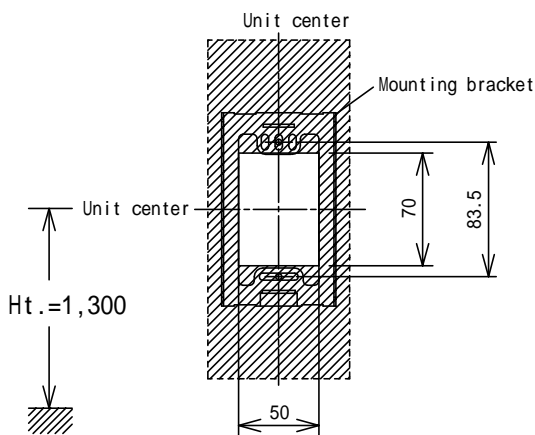
DESCRIPTION CHIME PHONE KIT BOX	FIG. NAME KIT BOX CONTENTS	UNIT mm	DATE 11 July, 2005
MODEL NO. TCS-MH	FIG.NO. 51042311-1-3	PAGE 1/3	REVISION 1

**AIPHONE**

## PRODUCT DRAWING

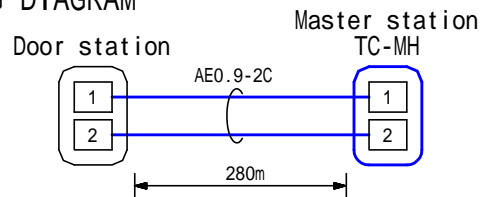


## MOUNTING



\* Mounting bracket; Single-gang 83.5mm guided

## WIRING DIAGRAM



## RESTRICTIONS

The door station connectable is TC-DC only.  
TC-MH can not be used on desk-top.

## FUNCTIONS

Receiving a call from Door station and entering communication by lifting handset.  
Battery status LED. It goes off when batteries are exhausted.

## SETTING

Adjusting call tone volume (sliding)  
..... With call tone volume switch

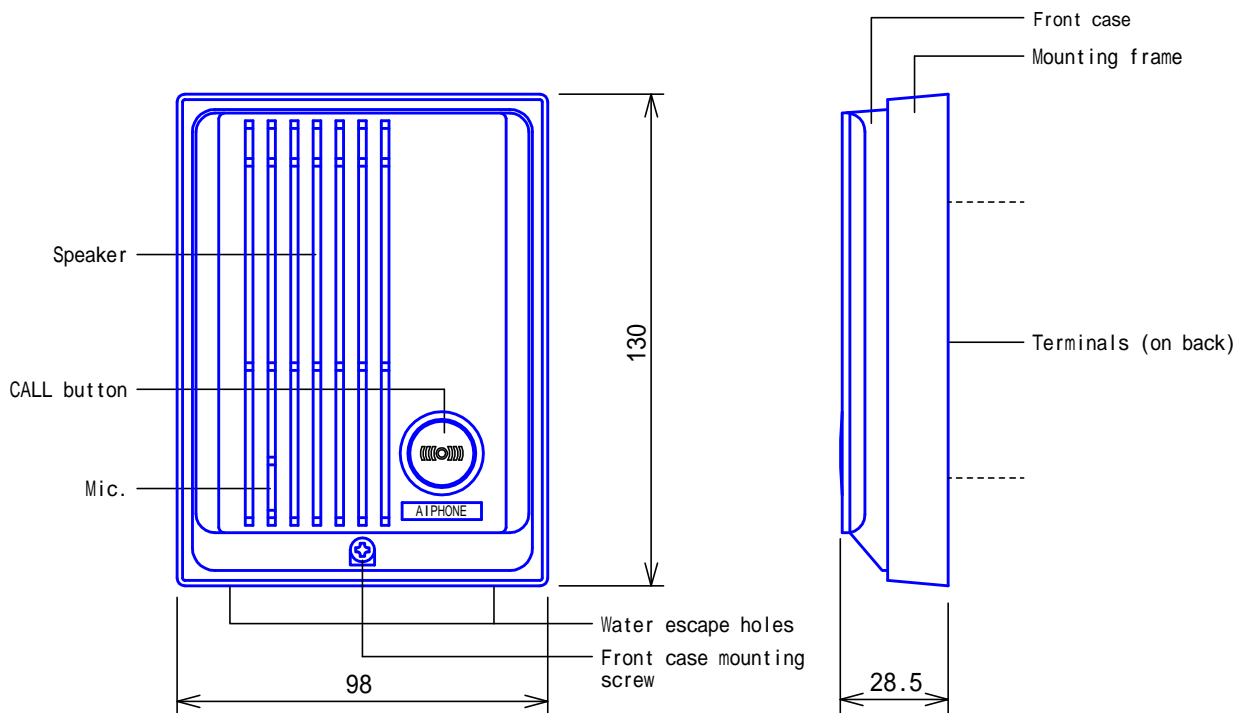
## SPECIFICATIONS

Power source	6V DC. Four SUM-3 batteries.
Type of communication	Handset simultaneous communication
Battery life	One year(approx.). Under use of 5 sec. in calling, 20 sec. in communication, 10 times a day.
Door station	One unit
Call tone	2-tone chime
Mounting	Surface wall mount
Electrical box	Single-gang box
Housing	HIPS plastic
Weight	420g(approx.) (excl. Batteries)
Unit color	Snow white

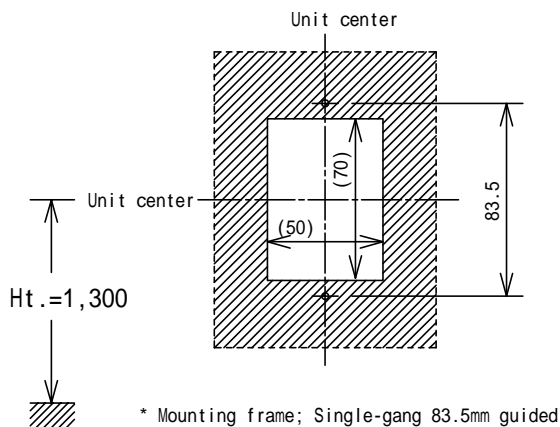
DESCRIPTION	FIG. NAME	UNIT	DATE
MASTER STATION TC-MH	PRODUCT/SPECIFICATIONS/RESTR.	mm	11 March, 2002
MODEL NO.	FIG.NO.	PAGE	REVISION
TCS-MH	51042311-2-3	2/3	1

**AIPHONE**

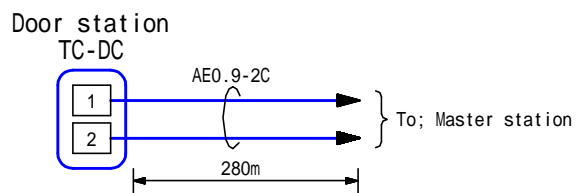
# PRODUCT DRAWING



## MOUNTING



## WIRING DIAGRAM



## RESTRICTIONS

Do not have water escape holes on bottom sealed.  
The master station compatible is TC-MH only.

## FUNCTIONS

Placing a call by pressing CALL button and entering communication after Master station replies.

## SPECIFICATIONS

Power source	Supplied from Master station		
Type of communication	Open voice simultaneous communication		
Housing	Surface wall mount		
Electrical box	Single-gang box		
Housing	Fire-retardant ABS plastic		
Weight	210g(approx.)		
Unit color	Tener gray		
Remarks	Weather-resistant (JIS C 0920 Protection Class 3 or equivalent)		
DESCRIPTION	FIG. NAME	UNIT	DATE
DOOR STATION TC-DC	PRODUCT/SPEC./WIRING/RESTR./FCN.	mm	11 March, 2002
MODEL NO.	FIG.NO.	PAGE	REVISION
TCS-MH	51042311-3-3	3/3	1

**AIPHONE**