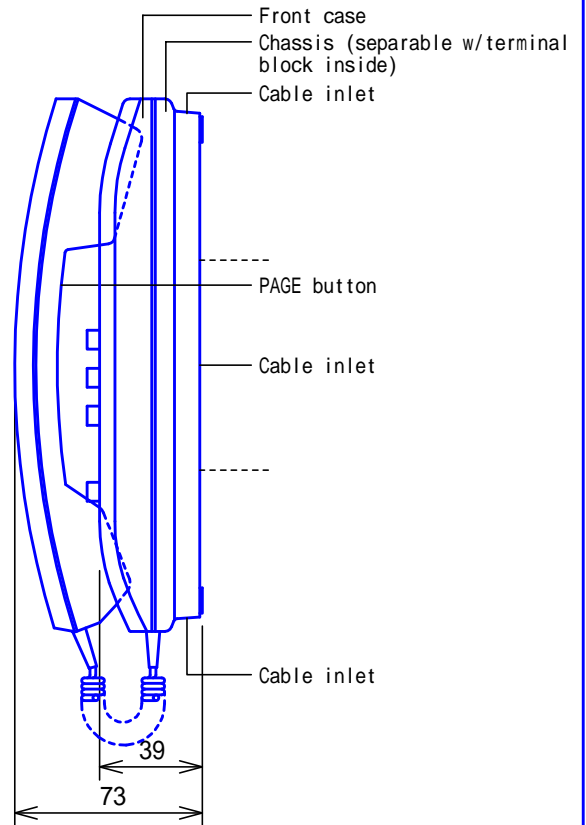
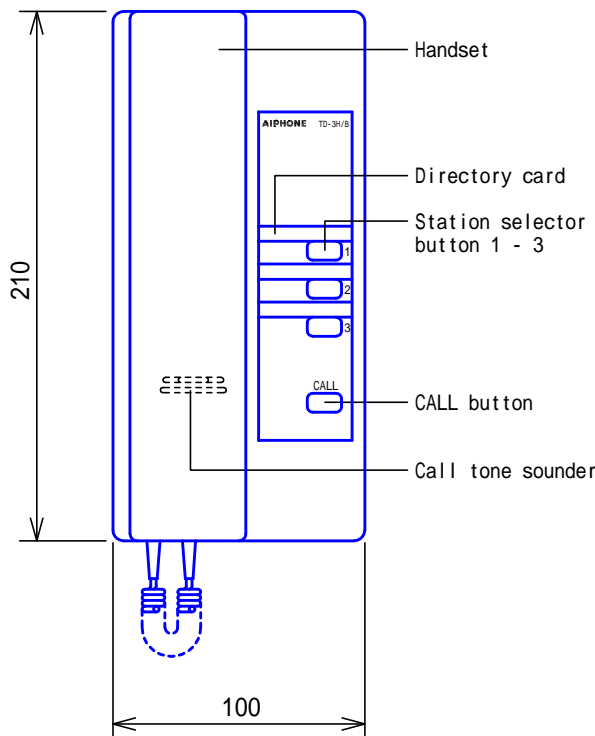
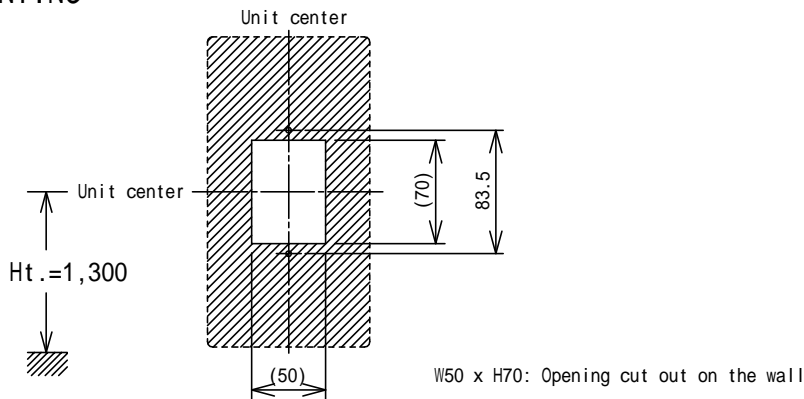


PRODUCT DRAWING



MOUNTING



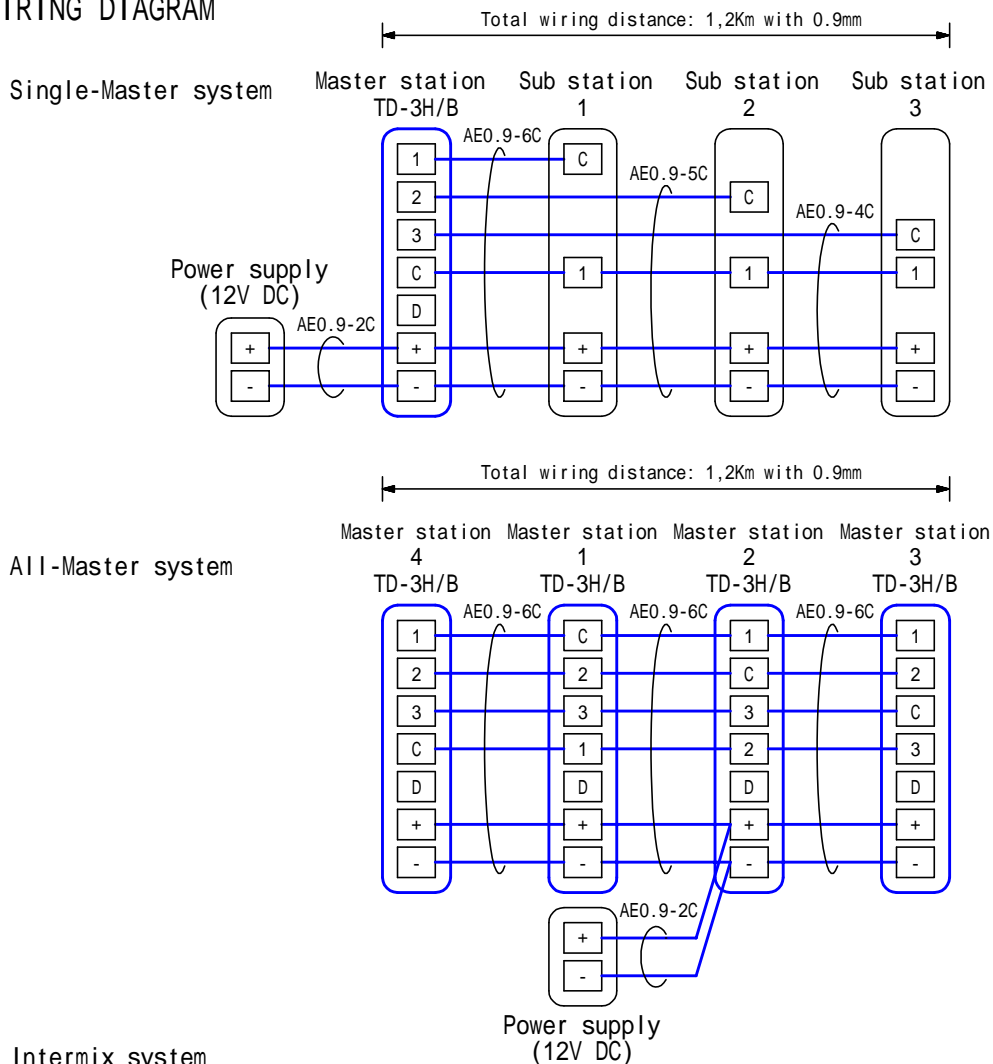
SPECIFICATIONS

Power source	DC 12V (Use a Power supply PS-1225S/UL.)
Current consumption	60mA (max.)
Type of communication	Handset simultaneous communication
Capacity	Up to 3 Stations (master, sub or door stations) connectable
Call tone	Master & Sub stations: Electronic tremolo. Door station: Electronic tone (intermittent slow or fast)
Mounting	Wall-mount or desk-top use Use TDW-3/A Terminal box for desk-top use.
Electrical box	Single-gang box
Housing	ABS plastic
Weight	430g (approx.)
Unit color	Snow white & gray, two-tone

DESCRIPTION MASTER STATION (3-call)	FIG. NAME PRODUCT/SPECIFICATIONS	UNIT mm	DATE 21 March, 2011
MODEL NO. TD-3H/B	FIG.NO. 44761321-1-2	PAGE 1/2	REVISION 2

AIPHONE

WIRING DIAGRAM



Intermix system

The Intermix system is configured combining the above two systems.

RESTRICTIONS

TD-H/B models only are useable within a system, intermixable.

The power supply is to be located around the center of the entire network.

When paging function is needed, a paging adaptor (PD-1 or PD-2) is required for each paging zone, as well as a paging amplifier for each. (Consumes one potential station.)

For a door station, use a door station adaptor (DE-UR), which reduces a potential station.

FUNCTIONS

Calling & communication with a Master (Sub) station. To initiate a call, depress a corresponding station selector button and press CALL button to ring.

Receiving a call and communication with Door station. To answer door, depress an assigned selector button at any Master station.

Locating a person through external speakers in a zone depressing PAGE button on handset. Each zone requires a paging adaptor (PD-1 or PD-2) and a paging amplifier.

Any particular station is called by an external signaling device, buzzer, etc., as well as an ordinary call tone. Extend the wires from the station for connecting a Relay (RY-AC/A) to activate the buzzer, etc. when called.

DESCRIPTION	FIG. NAME	UNIT	DATE
MASTER STATION (3-call)	WIRING/RESTR./FCN.	mm	26 March, 2003
MODEL NO.	FIG.NO.	PAGE	REVISION
TD-3H/B	44761321-2-2	2/2	3
AIPHONE			