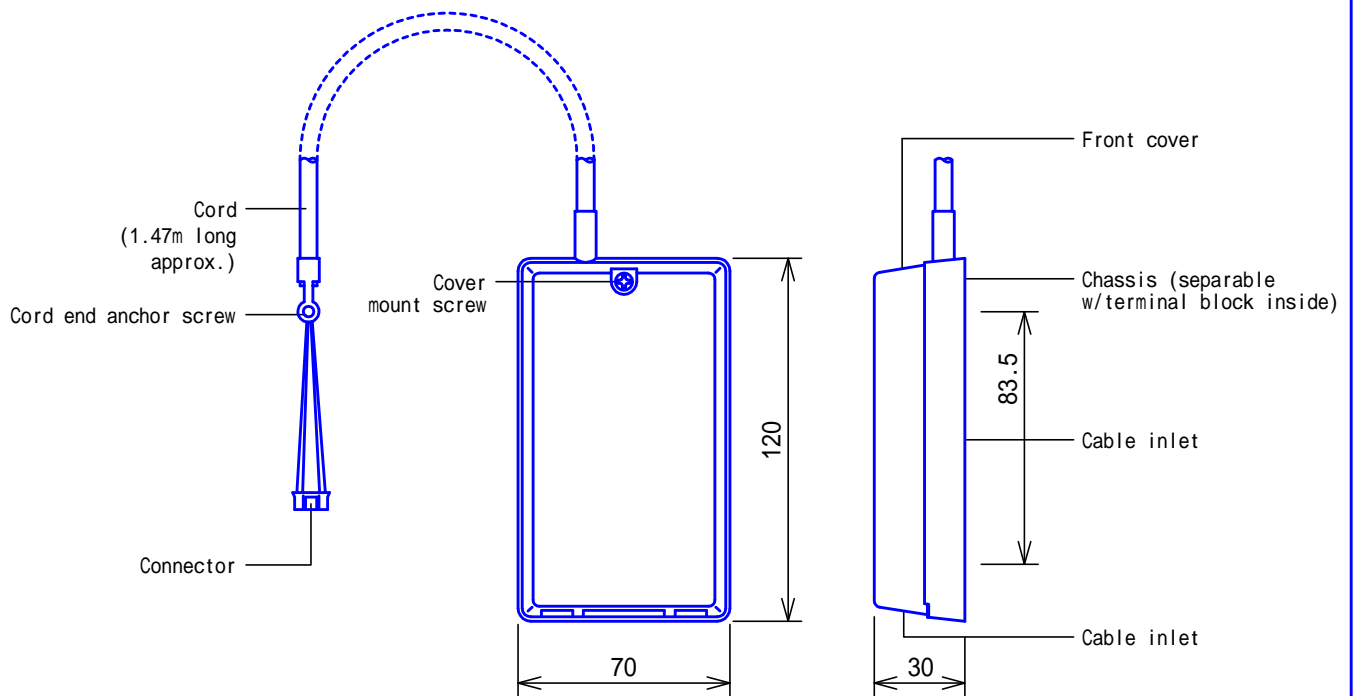
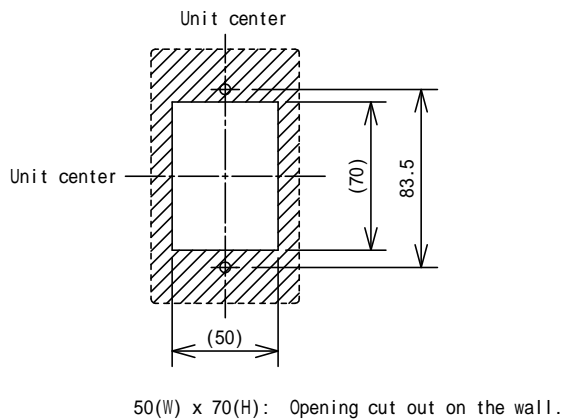


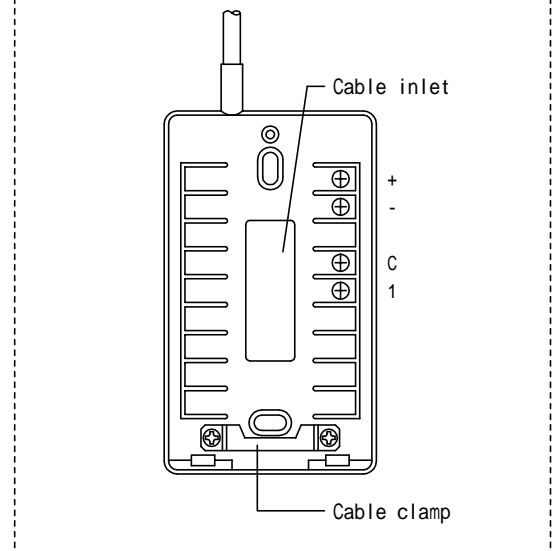
## PRODUCT DRAWING



## MOUNTING



## TERMINAL SECTION



## SPECIFICATIONS

Mounting	Surface wall mount		
Electrical box	Single-gang box		
Housing	Plastic		
Weight	50g(approx.)		
Unit color	Snow white		
DESCRIPTION	FIG. NAME	UNIT	DATE
TERMINAL BOX (for TD-1H/B)	PRODUCT/SPECIFICATIONS	mm	9 July, 2002
MODEL NO.	FIG.NO.	PAGE	REVISION
TDW-1/A	44653301-1-1	1/1	1

**AIPHONE**