



Phone extension



YAZ-90-3W
Phone master station

Power supply
PS-2420S PS-2420UL
→ P.104

Lineup

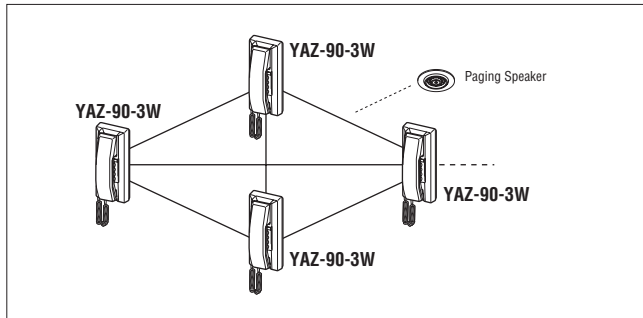


YAW-RB
1-zone paging adaptor for YAZ-90-3W

Features

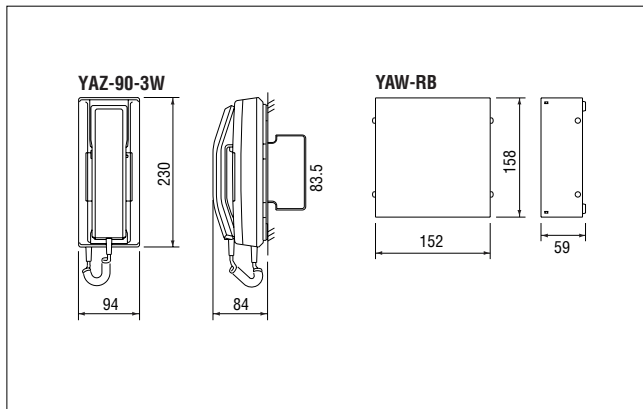
- Microprocessor built-in intercom expandable to max. 90 stations on 4-pair cable
- Up to 2.9km wiring distance
- Zone paging
- Communication functions: Camp-on busy, secretary transfer, call transfer
- Line-off trouble on one channel does not affect the other channels

Communication network

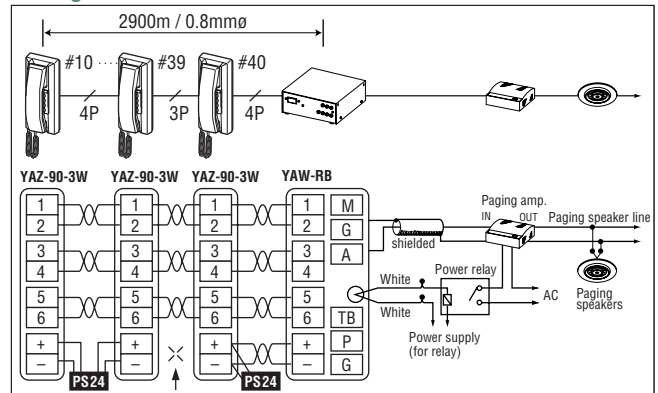


Station to station communication in any pair

Unit dimensions



Wiring



- Remove +,- wires between YAZ stations of different blocks. Within a block locate a power supply in the center of cable run, and make groups of max. 10 YAZ stations. As shown, connect +, - wires from the power supply to each group's initial YAZ station.

PS24 : PS-2420S, PS-2420UL, PS-2420

Specifications (YAZ-90-3W)

Power source	24V DC, 150mA max. 20mA standby.
Power supply	PS-2420S, PS-2420UL, PS-2420 per 30-station block.
Communication	Dial 2-digit station # to ring other station with tone or voice pressing PAGE. Privacy communication on each channel (max. 3).
Line loop resistance	Must not exceed 200Ω for farthest stations. 20Ω for power line.
Wiring	4-twisted pairs (shielded) in loop.
Total wiring distance	Farthest YAZ's 1900m(0.65mmø), 2900m(0.8mmø)

Specifications (YAW-RB)

Power source	YAW-RB: 24V DC, 150mA (paging).40mA (standby).
Consumption	YAW-RB = 5 YAZ's, powered by YAZ network.
Paging impedance/level	Input: 600Ω/78mV(RMS), 1KHz. Output: 600Ω/300mV(RMS), 1KHz.
Music impedance/level	Input: 20KΩ/300mV(RMS), 1KHz. Output: 600Ω/150mV(RMS), 1KHz.
Line resistance	20Ω loop for power supply line. 200Ω loop for intercom line.
Amp. power ctrl. contact	YAW-RB: 240V AC 10A. 24V DC, 10A.