



Introduction

iPX5500 is the communication interface for equipment with RS485 outputs and remote PC, enabling remote monitoring and controls via Amperes PMX II LAN software. It converts RS485 data received from equipment into IP and shall be received by remote PC in the LAN environment. Likewise for remote controlling, user would be able to perform setting or changing parameters via the software modules available in PMX II LAN.

Among devices available are QP Series of amplifiers, LS4600 line surveillance unit, AX3800 auto amplifier changeover panel and PS9400 battery charger. The list shall be expanded further in due time. With combination of iPX devices available, user shall have better controls and monitoring of PA equipment to ensure smooth running with minimal downtime, especially during emergency.

Features

- ✓ Converts UART interface to IP for monitoring and controls via LAN
- ✓ Birectional RS485 data communication
- ✓ Up to 16 devices per comm box
- ✓ Compatible with other UART devices
- ✓ Simple setup via http

Technical Specifications

Power requirement :	
Voltage	12~ 24V DC (Normal DC 24V)
Current	<100 mA

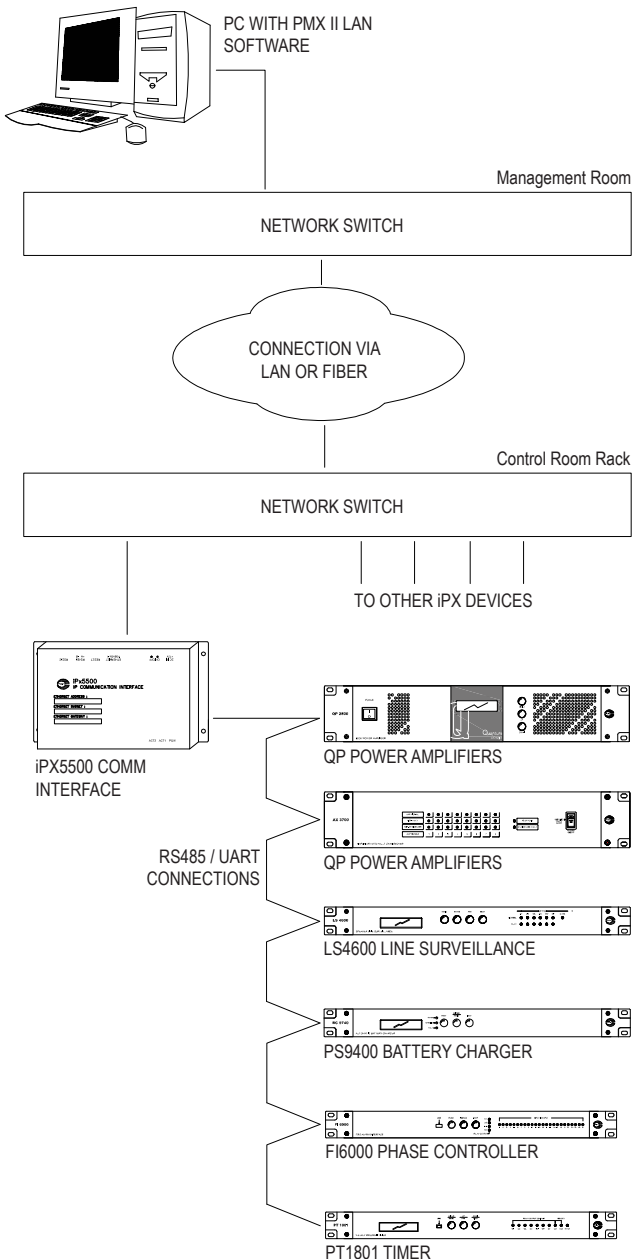
Connectivity	
- LAN interface	RJ-45, 100Mb/s
- Common protocols	TCP/IP, UDP, IGMP, HTTP

User interface	(Web Browser) IE V8+, Firefox V22+, Google Chrome V25+, RS485
Firmware upgrade	Via Web Browser

Operating condition :	
Temperature	-20°C ~ 80°C
Humidity	0 - 70%

Case :	
Dimension (WxHxD)	200 x 120 x 30 mm
Weight	600 g

Application Schematic



Packing information
 Qty per carton : 2 unit
 W x H x D : 512 x 83 x 288 mm
 Weight : 1.55 kg